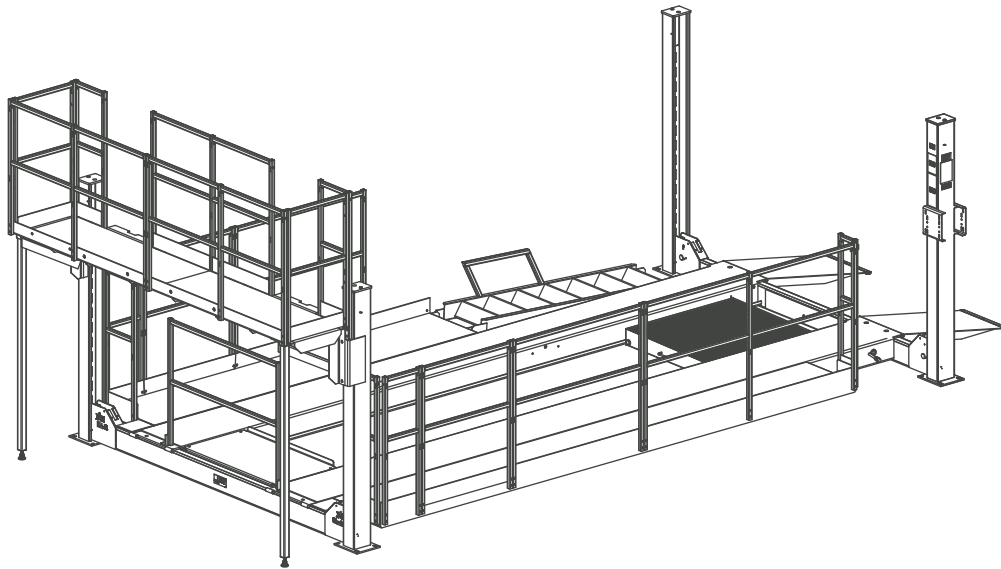




QL12

Stationary Mezzanine Kit

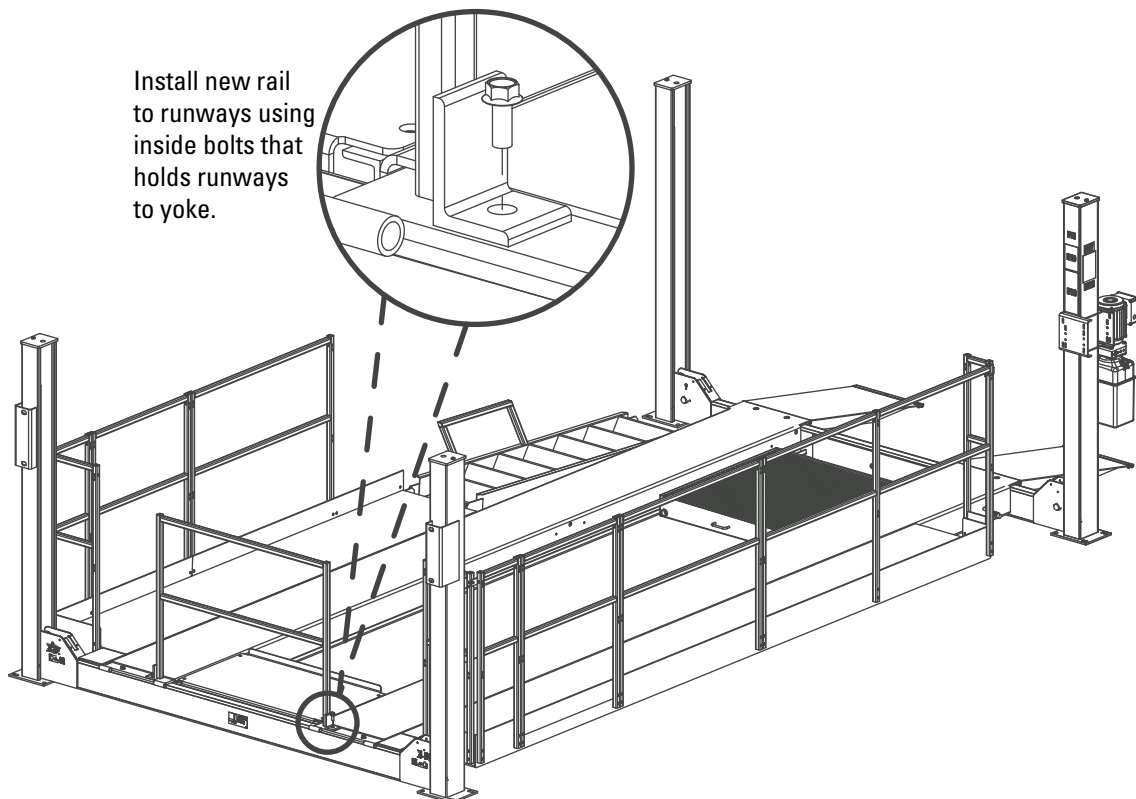
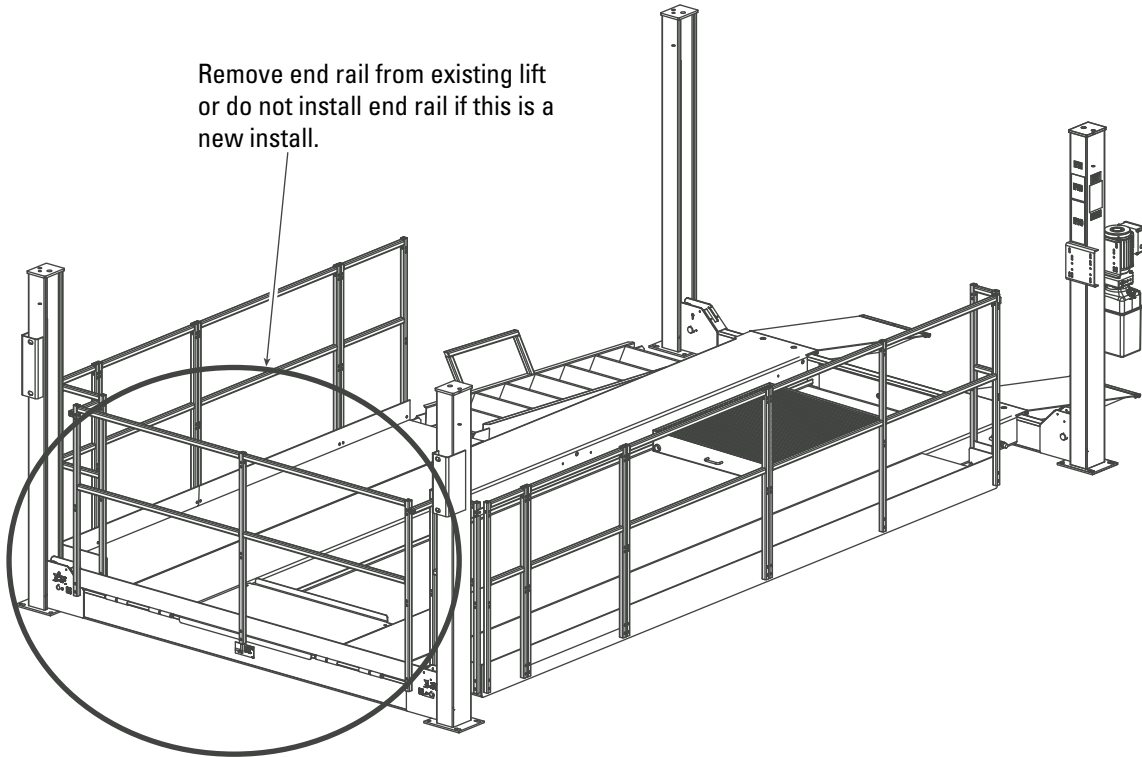
S100104

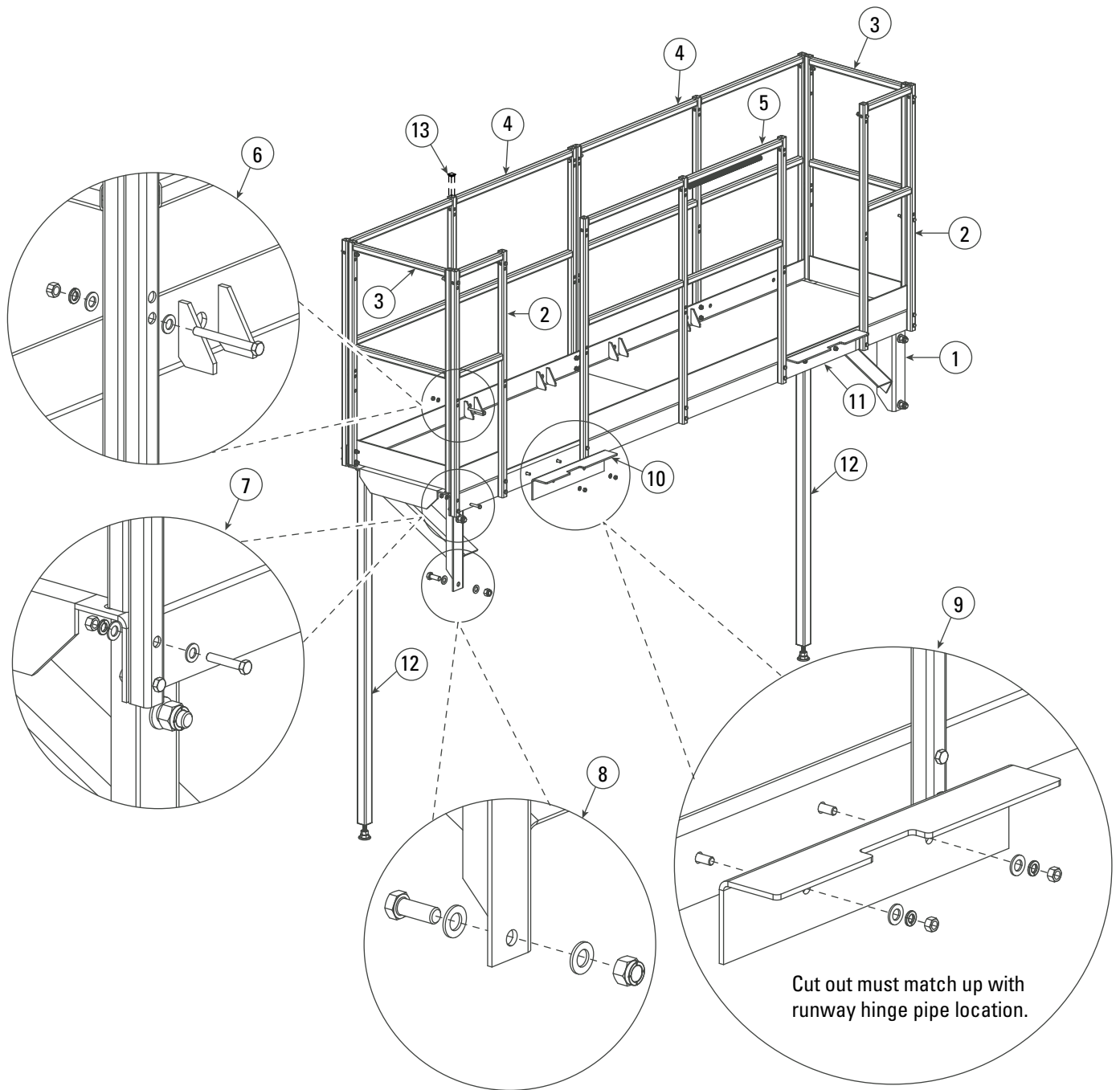


I
N
S
T
A
L
L
A
T
I
O
N

I
N
S
T
R
U
C
T
I
O
N
S

- 1.) Remove end rail from existing lift or do not install end rail if this is a new installation.
- 2) Install new rail using bolts from runway.
- 3) Assemble and attach mezzanine to column brackets - see hardware details.
- 4) Install support legs under mezzanine.
- 5) Install rail hardware - see hardware detail.





Item	Description	Part
1	Mezzanine Assembly	S120896
2	QL12 Mezzanine Rear Side Rail	S120942
3	End Rail	221990
4	QL12 Mezzanine Long Front Rail	S120905
5	QL12 Mezzanine Rear Rail	S120910
Rail To Rail Attachment Hardware		
6	3/8" -16NC x 3-1/2" Lg HHCS, GRD5	95057
	3/8" USS Flat Washer PLTD	40820
	3/8" Helical Spring LW, PLTD	40800
	3/8" -16NC Hex Nut, PLTD, GRD5	40659
Rail To Mezzanine Attachment Hardware		
7	3/8" -16NC x 2" Lg HHCS, GRD5 PLTD	912081
	3/8" USS Flat Washer PLTD	40820
	3/8" Helical Spring LW, PLTD	40800
	3/8" -16NC Hex Nut, PLTD, GRD5	40659

Mezzanine To Lift Columns Attachment Hardware		
8	3/4" -10NC x 2" Lg HHCS, GRD8	40426
	3/4" SAE Flat Washer, PLTD	41021
	3/4" -10NC Hex Nylon Insert Locknut	40790
Transition Plate To Mezzanine Attachment Hardware		
9	3/8" -16NC x 1" Lg. HHCS	40140
	3/8" USS Flat Washer PLTD	40820
	3/8" Helical Spring LW, PLTD	40800
	3/8" -16NC Hex Nut, PLTD, GRD5	40659
10	QL12 Left Transition Plate	S120884
11	QL12 Right Transition Plate	S120885
12	QL12 Mezzanine Leg Assembly	S110376
13	Square Plastic Plug	991204

Installer: Please return this booklet to literature package, and give to lift owner/operator.

Thank You

Trained Operators and Regular Maintenance Ensures Satisfactory Performance of Your Rotary Lift.

Contact Your Nearest Authorized Rotary Parts Distributor for Genuine Rotary Replacement Parts. See Literature Package for Parts Breakdown.

Rotary World Headquarters

2700 Lanier Drive
Madison, IN 47250, USA
www.rotarylif.com

North America Contact Information

Tech. Support: p 800.445.5438
f 800.578.5438
e userlink@rotarylif.com
Sales: p 800.640.5438
f 800.578.5438
e userlink@rotarylif.com

World Wide Contact Information

World Headquarters/USA: 1.812.273.1622
Canada: 1.905.812.9920
European Headquarters/Germany: +49.771.9233.0
United Kingdom: +44.178.747.7711
Australasia: +60.3.7660.0285
Latin America / Caribbean: +54.3488.431.608
Middle East / Northern Africa: +49.771.9233.0



A **DOVER** COMPANY

