



SPOA10 4536 kg. Capacity Asymmetric Two Post Lift



Model shown: SPOA10N5G0BL with three-stage front arms and round rubber adapters with optional accessories / 4536 kg capacity

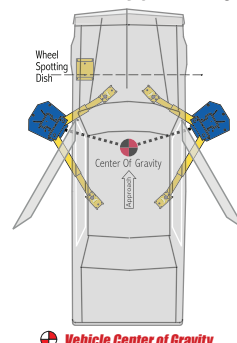
Engineered For Productivity

For decades, Rotary® has been the recognized leader in vehicle service lifts. This legendary reputation has set the standard for quality, durability, reliability and attention to safety throughout the automotive service market.

Benefits

- True asymmetrical design puts the vehicle back further in the bay for added maneuverability
- Full stroke cylinders minimizes the number of moving parts to maintain and repair
- Three-position adapters allow you to quickly adjust the adapter height
- Extended height models allow the pick up of taller vehicles

Asymmetrical Design Perfect for cars and light trucks Allows doors to easily open without dings!



Features

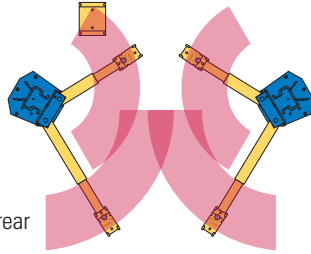
- True asymmetrical design
- Has full stroke high pressure cylinder in each column
- Has three-position adapters with built-in truck adapters
- A wide range of adapters available for special applications
- Has extended height models available
- Optional air / electric available
- The "Double S" single piece construction column design provides channel for the bearings to travel that maximizes the strength of the column

The World's Most Trusted Lift™
www.rotarylif.com

Asymmetric Two Post Lifts 4536 kg. Capacity

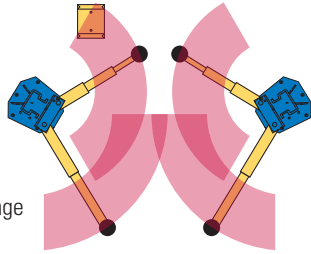
Arm Configurations for Frame Engaging Lifts

Asymmetrical two-stage arms are the standard configuration designed to accommodate a wide range of typical vehicles with three-position adapters.



Asymmetrical 2-stage front and rear arm coverage (SPOA10)

Asymmetrical three-stage front arm that increases overall arm coverage and minimum arm reach for hard to lift vehicles.



Asymmetrical 3-stage front 2-stage rear arm coverage (SPOA10-TA)

The three-stage arm increases overall arm sweep and minimum arm reach to precisely lift vehicles that have:

- Uni-body construction
- Visually marked pick-up points on the vehicle
- Wider vehicle tread width and lower profile
- A short or long wheelbase



Model shown: SPOA10N700BL / standard arms and three-stage flip-up adapters with optional accessories 10,000 lb. capacity

Round Adapters with 3 stage arms give more reach - perfect for **low profile** vehicles



To lift **trucks** and **other frame type vehicles**, Rotary recommends using the **FJ6182 adapter**.



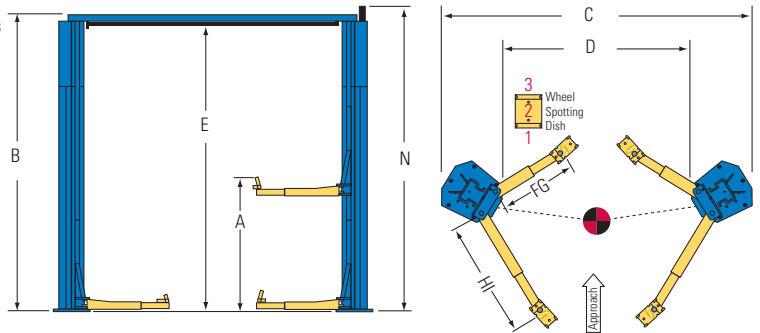
SPECIFICATIONS

Model	SPOA10 Standard Arms Flip Up Adapters	SPOA10-TA Three-Stage Arms Truck Adapters	SPOA10-RA Three-Stage Arms Round Adapters
Capacity	4536kg	4536kg	4536kg
A. Rise*	1987mm	2083mm	1873mm
B. Height : Standard	3569mm	3569mm	3569mm
C. Width Overall** (outside of base plate)	3493mm	3493mm	3493mm
D. Drive-Thru Clearance	2416mm	2416mm	2416mm
E. Floor To Overhead Switch	3423mm	3423mm	3423mm
F. Reach (front arm min.)	521mm	550mm	550mm
G. Reach (front arm max.)	1036mm	1106mm	1106mm
H. Reach (rear arm min.)	1019mm	878mm	878mm
I. Reach (rear arm max.)	1548mm	1474mm	1474mm
Min. Adapter Height	121mm	121mm	89mm
Inside Columns	2727mm	2727mm	2727mm
Motor / Voltage 1Ø	2 HP / 208v-230v	2 HP / 208v-230v	2 HP / 208v-230v
Time of Full Rise	45 seconds	45 seconds	45 seconds
Time of Descent	40 seconds	40 seconds	40 seconds
Ceiling Height Required:	3658mm	3658mm	3658mm
Min. Bay Size	3658 x 7315mm	3658 x 7315mm	3658 x 7315mm

* Rise measures lowest or highest position of the supplied adapters from floor to full cylinder strokes.

** Overall heights and widths reflect standard settings. Alternate settings may be available, refer to Installation Instruction Manual or consult factory for details.

† Optional 3-phase electrical available



Rotary World Headquarters
2700 Lanier Drive
Madison, IN 47250, USA
www.rotarylif.com



Lit# SPOA10_2014.11
©2014 VEHICLE SERVICE GROUP™, Printed in U.S.A., All Rights Reserved.
Unless otherwise indicated, ROTARY LIFT, VEHICLE SERVICE GROUP™, DOVER and all other trademarks are property of Dover Corporation and its affiliates.

