



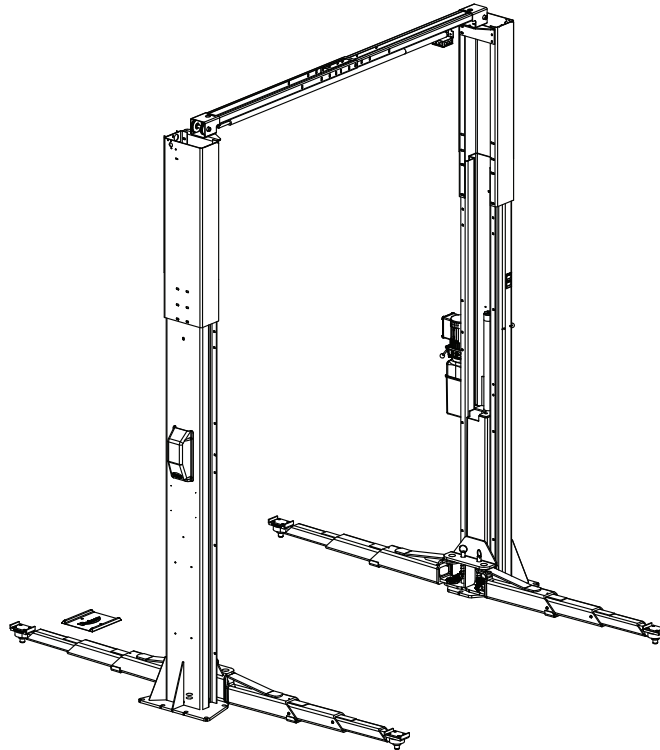
SP012 Standard/Hummer/Sprinter

Two Post Surface Mounted Swing Arm Frame Engaging Lift

Standard (700 Series) Capacity: 12,000 lbs.

Hummer (7W0 Series) Capacity: 12,000 lbs.

Sprinter (7A0 Series) Capacity: 9,000 lbs.



P
A
R
T
S

B
R
E
A
K
D
O
W
N

IMPORTANT: When ordering parts or requesting service always give exact model and power unit serial number. Model number is shown on nameplate attached to power unit column. Power unit serial number is located on side of power unit.

OWNERS RECORD
Complete information
at right and keep in
a safe place.

Date Installed _____

Installed in Bay # _____

Power Unit Serial # _____

Power Unit Model # _____

Lift Serial # _____

Lift Model # _____

NOTE: For replacement parts -See your nearest Rotary Parts Distributor.



LP20484

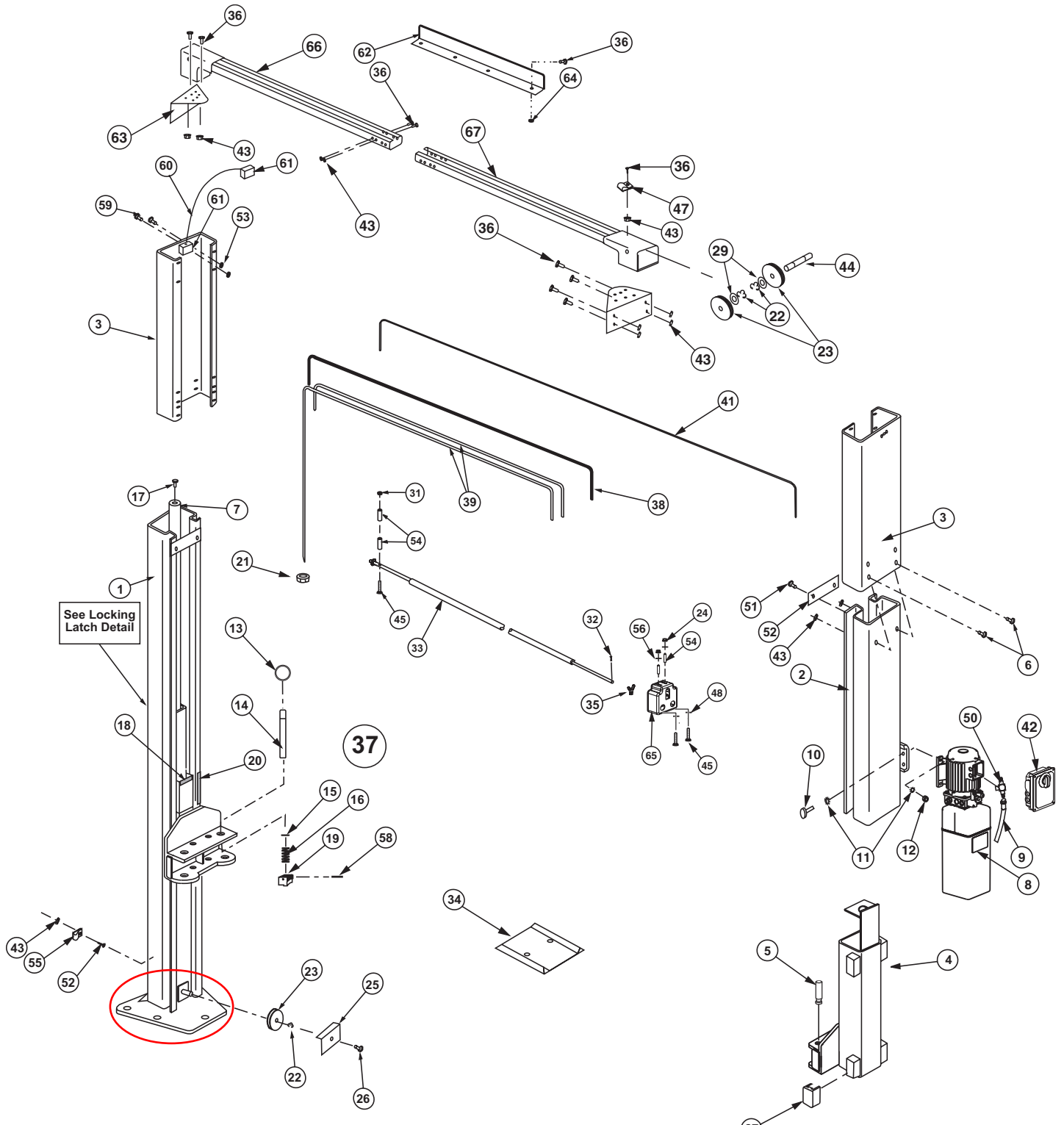
PB2-2-30-7

Rev. D 3/5/2012

1	L.H. Column Weldment	N754
2	R.H. Column Weldment	N757
3	Column Extension	
	Low Ceiling MODEL (700/7A0/7T0 Series)	N495
	Std Height MODEL (700/7A0/7T0 Series)	N477
	EH-1 MODEL (ALL 7XX Series)	N478
	EH-2 MODEL (ALL 7XX Series)	N479
4	Carriage Yoke Weldment	N826
5	Arm Pin	N2154
6	3/8"-16NC x 1" Carriage Bolt	N/A
7	Hydraulic Cylinder	
	68" Rise	N380
	71" Rise	N382
8	Power Unit	
	SINGLE PHASE	P3391
	4 HP SINGLE PHASE	P3500
	THREE PHASE	P3395
	575 Volt	P3360
9	Power Unit Hose	FJ837
10	5/16" - 18NC x 1-1/2" Bolt	40271
11	5/16" External Tooth Lockwasher	40854
12	5/16" - 18NC Hex Nut	40670
13	Actuator Pin Handle	FJ7985-1
14	Actuator Pin	N121-1
15	Retaining Pin	N119-3
16	Arm Restraint Spring	FJ7656-2
17	Bleeder Screw (Specify Manufacturer)	2REQ'D
18	Carriage Bumper	FJ7391-2
19	Arm Restraint Panel	N2121
20	Approach Bumper (door-18" Lg-2 req'd)	FJ7391-1
21	5/8"-11NC Hex Nylon Insert Locknut	40743
22	Truarc #5304-75 Klipring for 3/4" Shaft	41411
23	Sheave	N417-1
24	1/4"-20NC Zinc Hex Nut	40627
25	Sheave Cover	N119-1
26	1/4"-20NC x 3/8" Lg. PHMS Plated (2 pcs.)	40063
27	Slider block	FJ7360
28	3/4" Concrete Anchor (14 req'd)	FJ7380
29	1-1/2" O.D. x .760-.770" I.D. x .045" Bushing	41388
30	N/A	N/A
31	1/4"-20NC Insert Locknut	41423
32	1/8" x 1" Lg. Cotter Pin (3Ø Only)	41200
33	Switch Bar Assembly 1Ø	N467
	Switch Bar Assembly 3Ø	N434
34	Spotting Wheel Dish Kit	FF729
35	Actuator Assembly (3Ø Only)	N432-5
36	3/8"-16 NC x 3/4" Long Flanged HHCS	40124
37*	Arm Restraint Kit (1 arm)	*N2148

38	Overhead Hose	
	Low Ceiling MODEL (700/7A0/7T0 Series)	FJ839
	Standard Height MODEL (700/7A0/7T0 Series)	FJ843
	EH-1 MODEL (ALL 7XX Series)	FJ844
39	EH-2 MODEL (ALL 7XX Series)	FJ845
	Equalizer Cables	
	Low Ceiling MODEL (700/7A0/7T0 Series)	N390
	Standard Height (700/7A0/7T0 Series)	N387
40	EH-1 MODEL (ALL 7XX Series)	N388
	EH-2 MODEL (ALL 7XX Series)	N389
	N/A	N/A
	41	Locking Latch Cable
42	Capacitor Box	FA7147-1
	Capacitor Box Cover Plate	FA7366-1
	Drum Switch	FA7364
	Drum Switch Lever	FA7364-1
	M5 x 45 PHMS, Plated	41672
43	3/8" - 16NC Flanged Locknut	40664
44	Sheave Shaft	FJ7444-8
45	1/4" - 20NC x 2-3/4" HHCS Grade 5	40114
46	Latch Cable Guide	N69
47	Hose Clip	N383
48	1/4" Flat Washer	40795
49	5/16"-18NC x 3/8" PHMS (6 req'd-Column)	40227
50	Branch Tee	FJ7668
51	3/8"-16NC x 2-1/2" Lg. Carriage Bolt	40183
52	Tie Bar Kit	N1243
53	1/4"-20NC Flanged Locknut	40641
54	3/4" Spacer	FJ7871
55	3/8"-16NC x 3/4" Lg. Carriage Bolt	40696
56	1/4" External Tooth Lockwasher	40779
57	3/8" External Tooth Lockwasher	40845
58	Spring Pin-1/4" dia. x 1-1/2" Lg. (Stainless)	14427
59	1/4"-20NC x 1" HHCS Grade 5	40108
60	Cable Guide	N618
61	Cable End Bracket	N619
62	Stiffener Angle (700/7A0/7T0 Series)	N417-3
	Stiffener Angle (7W0 Series)	N463
63	Column Mounting Bracket	N440
64	3/8"-16NC Flanged Locknut	40664
65	Limit Switch Assembly 1Ø	N413
	Limit Switch Assembly 3Ø	N432
66	L.H. Overhead Weldment (Outer)	
	(700/7A0/7T0 Series)	N480-1
	(7W0 Series)	N493-1
67	R.H. Overhead Weldment (Inner)	
	(700/7A0/7T0 Series)	N481-1
	(7W0 Series)	N494-1

SP012 700 Series

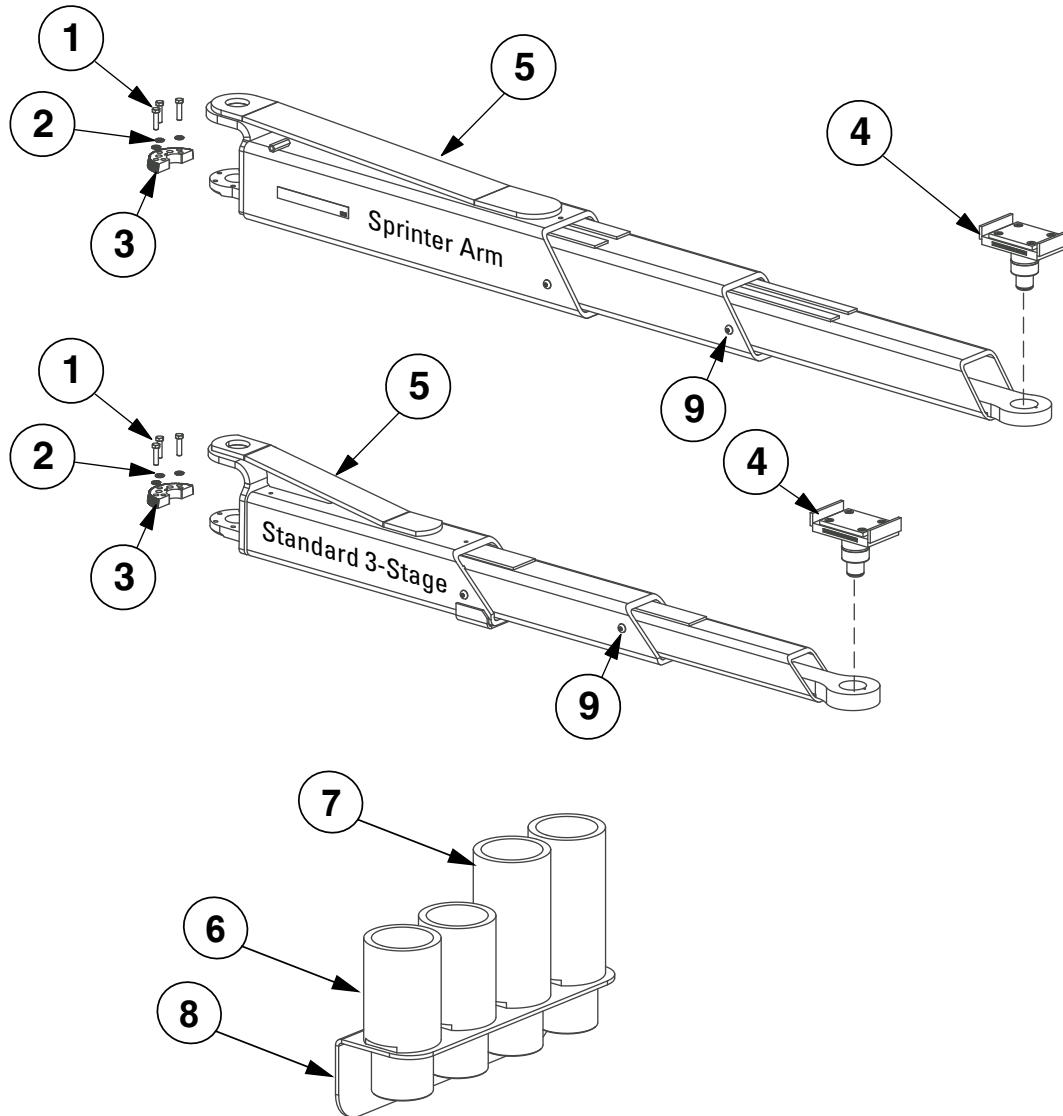


*Includes items 13, 14, 15, 16, 19, 35, 58, 60, 61

NOTE: Standard hardware items should be purchased from local hardware source when possible.

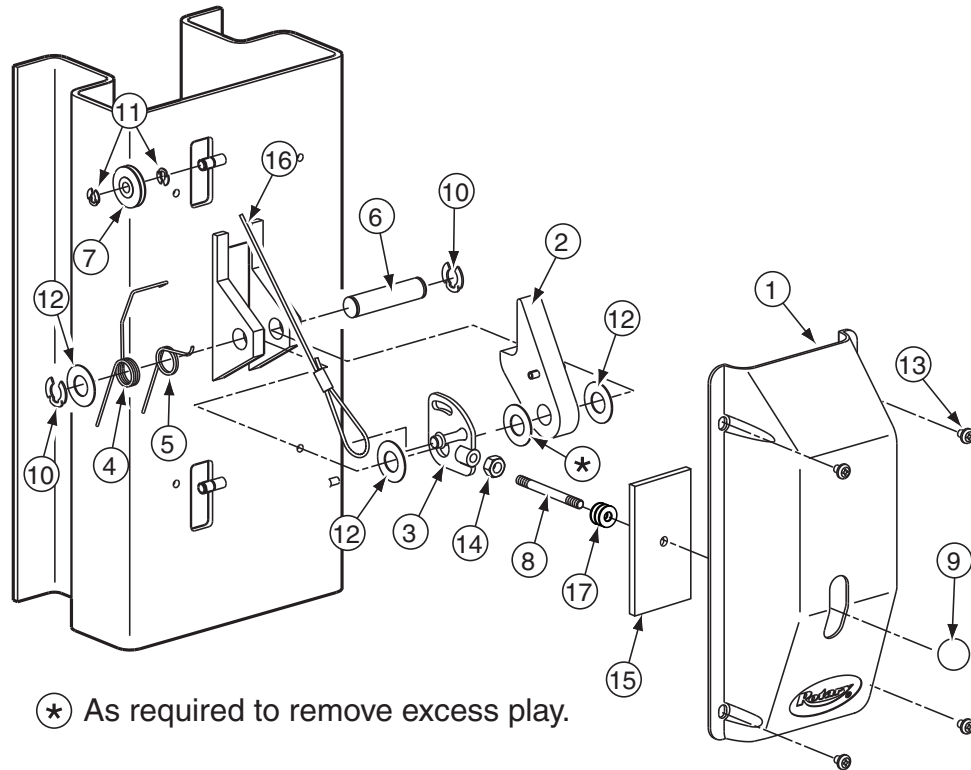
CAUTION Care should be taken to use hardware equal to that specified in this listing. (If grade is not specified, use Grade 2 minimum.)

Sprinter 7A0 Series/Hummer 7W0 Series/3 Stage 7T0 Series



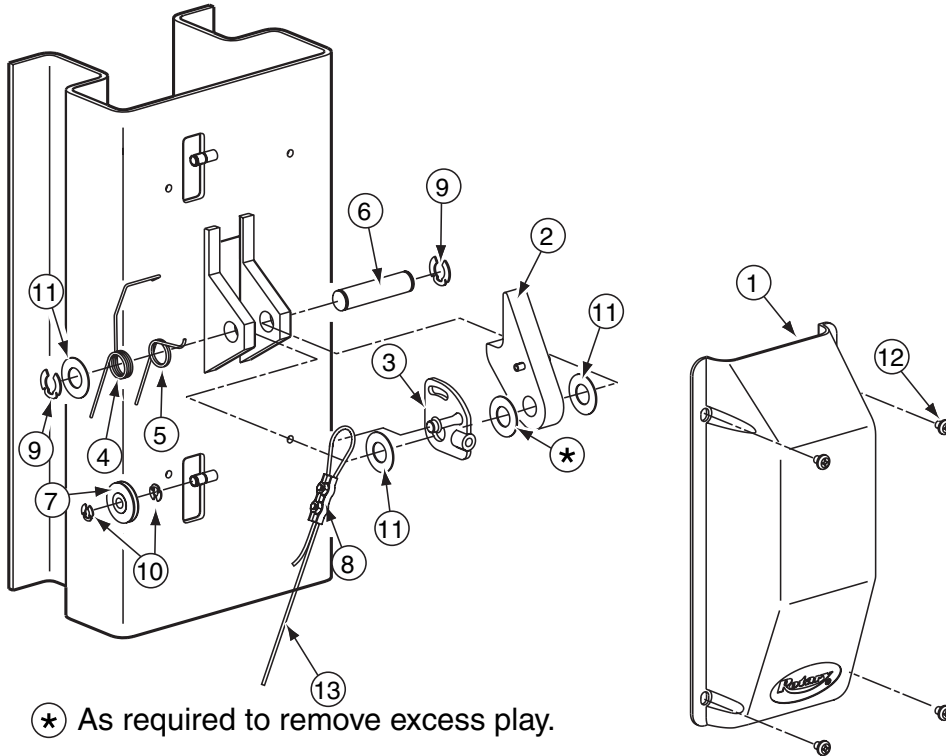
- | | | |
|----|--|----------|
| 1. | 3/8"-16NC x 1-1/2" HHCS Grade 5..... | 40200 |
| 2. | 3/8" Spring Washers..... | 40818 |
| 3. | Restraint Gear..... | N2122 |
| 4. | Adapter..... | FJ6214 |
| 5. | Arm | |
| | 7A0 Series (Sprinter Arm)..... | N2272 |
| | 7T0 Series (Standard 3-Stage Arm)..... | N2273 |
| | 7W0 Series (Standard 3-Stage Arm)..... | N2273 |
| 6. | 3-1/2" (90mm) Adapter Extension..... | FJ6171-1 |
| 7. | 5-1/4" (130mm) Adapter Extension..... | FJ6171-2 |
| 8. | Adapter Rack..... | FJ6127 |
| 9. | Stop Bolt..... | N2264-15 |

Locking Latch Detail (Right Column)



ITEM	DESCRIPTION	PART#
1.	Control Side Cover	FJ7452
2.	Locking Latch Dog	N615
3.	Control Plate	FJ7594-2
4.	Spring.....	FJ7566-10
5.	Spring.....	FJ7382-9
6.	Latch Shaft.....	FJ7382-34
7.	Locking Latch Sheave	FJ7322
8.	Handle.....	FJ7382-18
9.	Ball Handle.....	FC134-91
10.	Truarc Klipring #5304-75 for 3/4" Shaft.....	41411
11.	Truarc Klipring #5304-37 for 3/8" Shaft.....	41410
12.	1-1/2" O.D. x 3/4" I.D. x .045" Mach. Bush.....	41388
13.	5/16"-18NC x 3/8" Lg. PHMS.....	40227
14.	3/8" - 16NC Hex Jam Nut.....	40658
15.	Slot Cover	N617
16.	Locking Latch Cable	FJ7600
17.	3/8" Flat Washer	40820

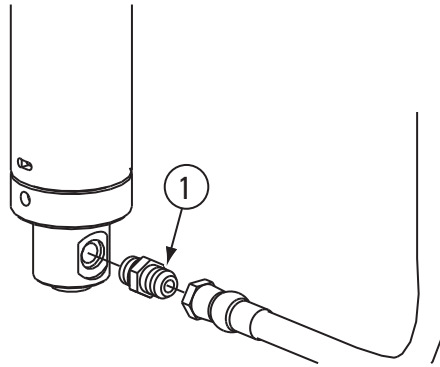
Locking Latch Detail (Left Column)



ITEM	DESCRIPTION	PART#
1.	Latch Cover	FJ7451
2.	Locking Latch Dog	N615
3.	Control Plate	FJ7594-2
4.	Spring	FJ7566-10
5.	Spring	FJ7382-9
6.	Latch Shaft	FJ7382-34
7.	Locking Latch Sheave	FJ7322
8.	Latch Cable Clamp	N63-1
9.	Truarc Klipring #5304-75 for 3/4" Shaft	41411
10.	Truarc Klipring #5304-37 for 3/8" Shaft	41410
11.	1-1/2" O.D. x 3/4" I.D. x .045" Mach. Bush	41388
12.	5/16"-18NC x 3/8" Lg. PHMS	40227
13.	Locking Latch Cable	FJ7600

NOTES

Cylinder Hose Adapter Detail



ITEM	DESCRIPTION	PART#
1.	Straight Adapter.....	FJ7352-3

DATE	REV.	CHANGE MADE
06/02/08	-	Issue 700 Series Parts Breakdown
08/25/09	A	Show 3-stage arm in lift illustrations.
07/07/11	B	Updated cover graphics removing the NP93 display.
10/24/11	C	Updated Tie Bar Kit

Rotary World Headquarters
 2700 Lanier Drive
 Madison, IN 47250, USA
 www.rotarylif.com

North America Contact Information

Tech. Support:
 p 800.445.5438
 f 800.578.5438
 e userlink@rotarylif.com
 Sales: p 800.640.5438
 f 800.578.5438
 e userlink@rotarylif.com

World Wide Contact Information

World Headquarters/USA: 1.812.273.1622
 Canada: 1.905.812.9920
 European Headquarters/Germany: +49.771.9233.0
 United Kingdom: +44.178.747.7711
 Australasia: +60.3.7660.0285
 Latin America / Caribbean: +54.3488.431.608
 Middle East / Northern Africa: +49.771.9233.0

© Vehicle Service GroupSM

Printed in U.S.A., All Rights Reserved. Unless otherwise indicated, ROTARY, and all other trademarks are property of Dover Corporation and its affiliates.

