



SP065M (200 Series Lifts)

SP065E (600 Series Lifts)

Standard Arms Capacity 6500 kg. (14,300 lbs.)

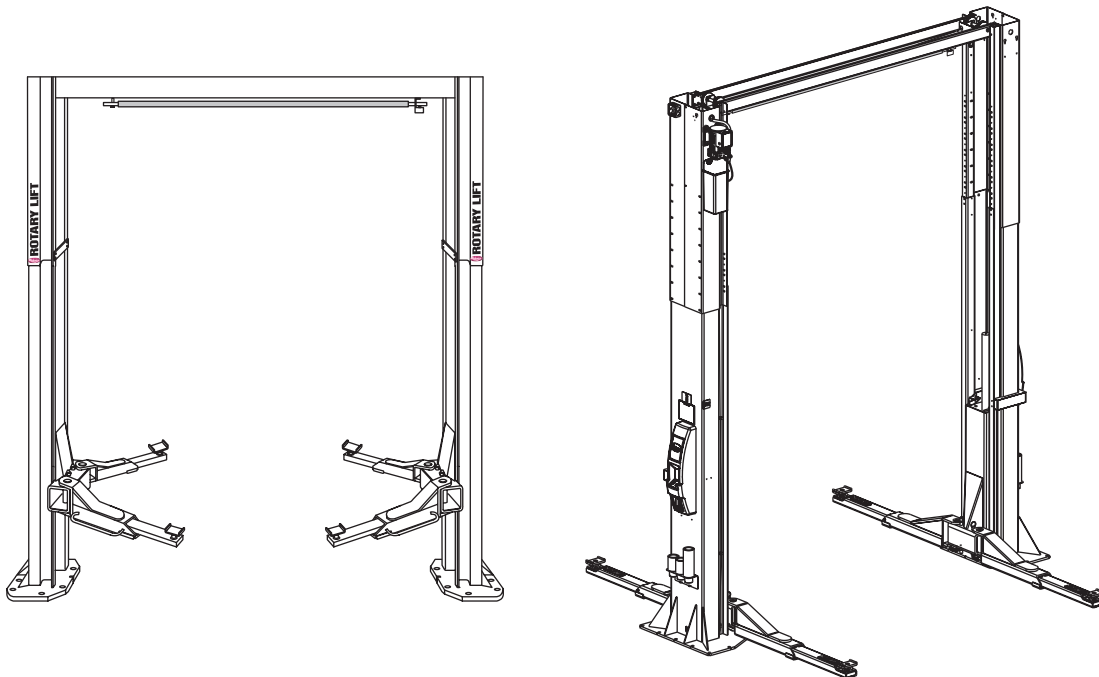
Sprinter Arms Capacity 5000 kg. (11,000 lbs.)



TÜV
Rheinland

P
A
R
T
S

B
R
E
A
K
D
O
W
N



IMPORTANT: When ordering parts or requesting service always give exact model and power unit serial number. Model number is shown on nameplate attached to power unit column. Power unit serial number is located on side of power unit.

OWNERS RECORD
Complete information
at right and keep in
a safe place.

Date Installed _____

Installed in Bay # _____

Power Unit Serial # _____

Power Unit Model # _____

Lift Serial # _____

Lift Model # _____

NOTE: For replacement parts -See your nearest Rotary Parts Distributor.



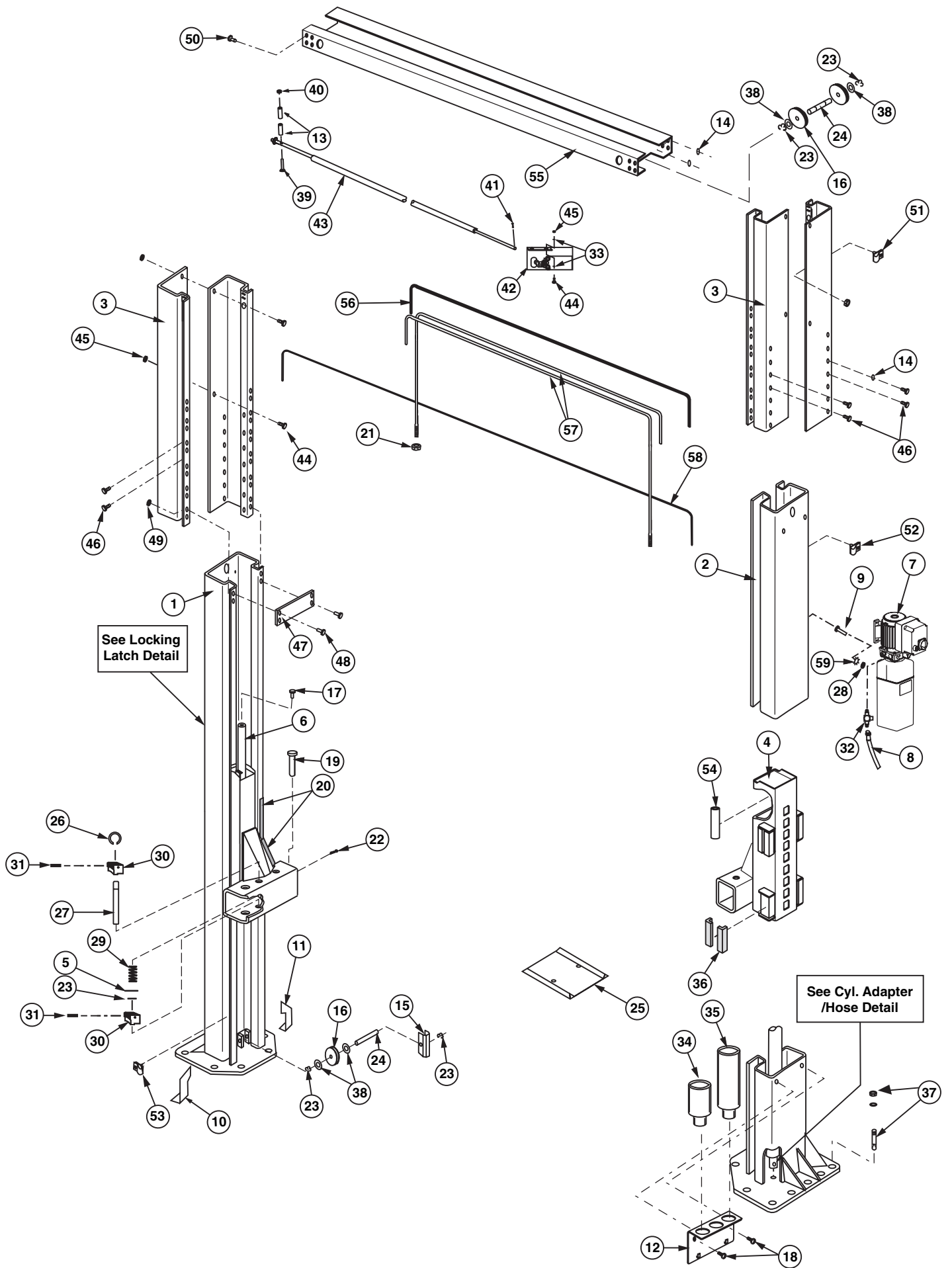
PB2-60-13

Rev. E 08/15/2006

SPO65 M Series

1	L.H. Column Weldment.....	N738	33	1/4" External Tooth Lockwasher.....	40779
2	R.H. Column Weldment	N739	34	5" Height Adapters (Standard Arms)	FJ7822-4
3	Column Extension			90mm Height Adapters (Sprinter Arms)	FJ6171-1
	Left Side	N430	35	10" Height Adapters (Standard Arms)	FJ7822-5
	Right Side	N431		130mm Height Adapters (Sprinter Arms) ...	FJ6171-2
4	Carriage Yoke Weldment	N824	36	Slider	FJ7813-1
5	1-1/4" Flat Washer	41101	37	3/4" Concrete Anchor	FJ7380
6	Hydraulic Cylinder.....	FJ7604	38	UHMWPE Washer	FJ7823-4
7	Power Unit	*P1072-2/P3072-2	39	1/4-20NC x 2-3/4" HHCS	40114
8	Power Unit Hose	FJ7828	40	1/4-20NC Insert Locknut.....	40642
9	5/16"-18NC x 1-1/2" HHCS	40238	41	1/8 x 1" Lg. Cotter Pin	41200
10	Left Toe Guard	N159-1	42	Limit Switch Assembly	N412
11	Right Toe Guard.....	N160-1		Contains: Limit Switch.....	N411-1
12	Adapter Rack (Standard Arms)	FJ7822-3		Bracket.....	N411-2
	Adapter Rack (Sprinter Arms).....	N973-1	43	Switch Bar Assembly	N435
13	3/4" Switch Bar Mounting Spacer (2 req'd)	FJ7871	44	1/4-20NC x 3/4"lg. HHCS Grade 5.....	40099
14	3/8" External Tooth Lockwasher.....	40845	45	1/4-20NC Zinc Hex Nut.....	40625
15	Lower Sheave Guard	FJ7813-8	46	3/8-16NC x 3/8" Lg. Flanged HHCS	
16	Sheave.....	FJ7823-3	47	Tie Bar.....	FJ7824
17	Bleeder Screw (Specify Manufacturer)	N/A	48	3/8-16NC x 1" Lg. Flanged HHCS	40144
18	5/16-18NC x 3/8" Lg. PHMS	40227	49	3/8-16NC Flanged Lock Nut	
19	Arm Pin	N1132-1	50	3/8-16NC x 3/4" Lg. Flanged HHCS	40124
20	Approach Bumper (Foam 18" lg. 4 req'd) ..	FJ7391-3	51	Pipe Clip (5/8" Clamping Diameter)	FJ7499
21	3/4-10NC Nylon Insert Hex Lock Nut.....	40790		5/16-18NC x 1/2" Lg. PHMS	40228
22	NA	NA		5/16-18NC Hex Nut.....	40670
23	Truarc #5304-100 Klipring for 1" Shaft.....	41412	52	Pipe Clip (5/8" Clamping Diameter)	FJ7499
24	Lower Sheave Shaft.....	FJ7813-3		5/16-18NC x 3/8" Lg. PHMS	40227
25	Wheel Spotting Dish Kit	FF729-1	53	Pipe Clip (1/2" Clamping Diameter)	FJ7669
26	Actuator Pin Handle	FJ7985-1		5/16-18NC x 3/8" Lg. PHMS	40227
27	Actuator Pin	N1132-2	54	Equalizer Cable Spacer	FJ7833
28	5/16-18NC Hex Nut.....	40670	55	Overhead Weldment	N429-1
29	Actuator Pin Spring	N1132-3	56	Overhead Hose.....	FJ7829
30	120T Gear Block	N2121	57	Equalizer Cable Assembly	FJ7827-1
31	Spring Pin 1/4 x 1-1/2" Lg. Stainless.....	14427	58	Locking Latch Air Line 1/4" O.D.	FA2230-2
32	Branch Tee.....	FJ7668	59	5/16" External Tooth Lockwasher.....	40854

*** Two different power units were used. Please verify your exact model number before ordering replacement parts.**



SPO65 E Series


1	L.H. Column Weldment	N738
2	R.H. Column Weldment	N738
3	Column Extension	
	Left Side	N430
	Right Side	N431
4	Carriage Yoke Weldment	
	S15i	N185
	S18i	N186
5	NA	
6	Hydraulic Cylinder	FJ7604
7	Power Unit	
	Standard	*P1474/P3074
	Sprinter	*P1521/P3521
8	Power Unit Hose	N340
9	5/16"-18NC x 1-1/2" HHCS	40271
10	NA	
11	NA	NA
12	NA	NA
13	Web Cover	FA931
14	Adjustable Adapter	FJ7822-1
15	Lower Sheave Guard	FJ7813-8
16	Sheave	FJ7823-3
17	Bleeder Screw (Specify Manufacturer)	N/A
18	5/16-18NC x 3/8" lg. PHMS	40227
19	Arm Pin	N2226
20	Approach Bumper (Door 18" lg. 4 req'd)	FJ7391-3
21	3/4-10NC Nylon Insert Lock Nut	40703
22	3/16 x 2-1/2" lg. Cotter Pin	N/A
23	Truarc #5304-100 Klipring for 1" shaft	41412
24	Lower Sheave Shaft	FJ7813-3
25	Wheel Spotting Dish	FF729-1
26	Actuator Pin Handle	FJ7985-1
27	Actuator Pin	N167-2
*28	*Slider	*FJ7813-1
29	Actuator Pin Spring	FJ7813-10
30	120T Gear Block	FJ7749
31	Spring Pin 1/4 x 1-1/2" lg. stainless	14427
32	3/8-16NC x 3/4" lg. HHCS Plated	40130
33	3/8"-16NC x 1-1/2" HHCS Grade 5	40201
34	5/16 USS Flat Washer -Black Oxide	40855
35	Restraint Gear	FJ7831
36	3/8" Helical Spring Lockwasher	40818
37	Concrete Anchor, 20mm x 170mm	W140210
38	UHMWPE Washer	FJ7823-4
39	Junction Box	FA925
40	Grounding Block	FA925-3
41	#12 Ext. Tooth Lockwasher	41527
42	#12-24NC Hex Nut	40650
43	#12-24NC x 3/4" Lg. PHMS	40092
44	Junction Box Lid Assembly	FA925-4
45	1/4"-20NC Zinc Hex Nut	40627
46	3/8-16NC x 3/8"lg. Flanged HHCS	-
47	Tie Bar	FJ7824
48	Horse Shoe Shim	FJ716-6
49	3/8-16NC Flanged Lock Nut	40664
50	3/8-16NC x 3/4" lg. Flanged HHCS	40124
51	Pipe Clip (5/8" Clamping Diameter)	FJ7499
	5/16-18NC x 1/2" lg. PHMS	40228
	5/16-18NC Hex Nut	40670
52	Pipe Clip (5/8" Clamping Diameter)	FJ7499
	5/16-18NC x 3/8" lg. PHMS	40227
53	Pipe Clip (1/2" Clamping Diameter)	FJ7669
	5/16-18NC x 3/8" lg. PHMS	40227
54	Equalizer Cable Spacer	FJ7833
55	Overhead Assembly	N429
56	Overhead Hose	N341
57	Equalizer Cable Assembly	
	S15i/S18i	FJ7827-1
	S15iLC/S18iLC	FJ7826-1
58	Locking Latch Air Line 1/4" O.D.	FA2230-2
59	5/16"-18NC Hex Nut	40670

60	Branch Tee	FJ7668
61	NA	NA
62	Adapter Rack (1 Qty. Each Column)	FJ7822-3
63	10" Height Adapters (2 Qty. Per Lift)	FJ7822-5
64	5" Height Adapters (4 Qty. Per Lift)	FJ7822-4
65	Rubber Pad Adapters (4 Qty. Per Lift)	FJ7822-2
66	Wide Rim Machinery Bushing	FF40-4
67	5/16"-18NC x 3/8"lg. PHMS	40227
68	Master Control Assembly	FA7420
69	Slave Control Assembly	FA7526
70	Wire Trough	FA930
71	#8-32 Type B x 5/8" Lg. PHTS, Plated	41457
72	1/4"-20NC x 3/4" Lg. PHMS	40106
73	3/4" Switch Bar Mounting Spacer	FJ7871
74	1/4"-20NC Insert Locknut	41423
75	1/8 x 1" Lg. Cotter Pin	41200
76	Switch Bar Assembly	N435
77	1/4"-20NC x 2-3/4" HHCS	40114
78	1/4"-20NC x 3/4" HHCS Grade 5	40099
79	1/4" External Tooth Lockwasher	40779
80	Limit Switch	N412
81	Actuator Assembly	N432-5
82	1/4" Flat Washer	40795
83	Master Harness	FA7613
84	Motor Cable	FA7954
85	Power Harness	FA7947
86	Extension Harness 1219mm	FA7806
87	Power Extension Harness	FA7810

* Two different power units were used. Please verify your exact model number before ordering replacement parts.

*Two Different Power Units were used. Please verify which one you have before calling for Service. Thank You

**For SPO18 lifts whose 4th thru 6th Serial Numbers are 97A, 97B, 97C, 97D, or 98A, order Slider Block Kit FA5124.



800-445-5438


IMPORTANT

DO NOT REMOVE THIS TAG
WARRANTY IDENTIFICATION

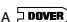
MODEL: XXXXXXXX

CAP. LBS.: XXXX

SERIAL NUMBER
XXXXXXXXXXXXXXXXXX



MANUFACTURED UNDER ONE OF THESE PATENTS:
5009287 5148827 515238 5284224

Rotary Lift  INDUSTRIES COMPANY Madison, IN.

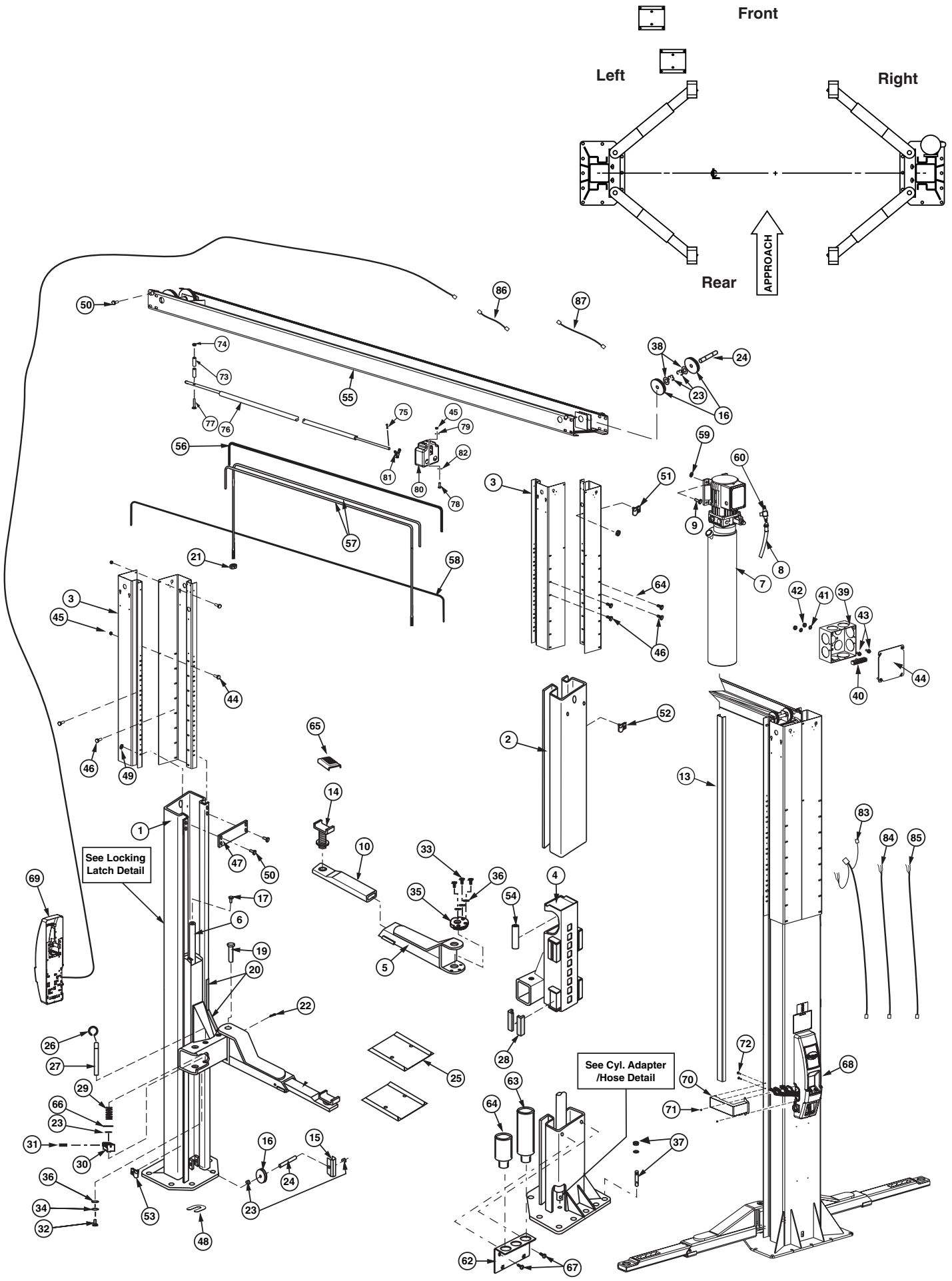
Front

Left

Right

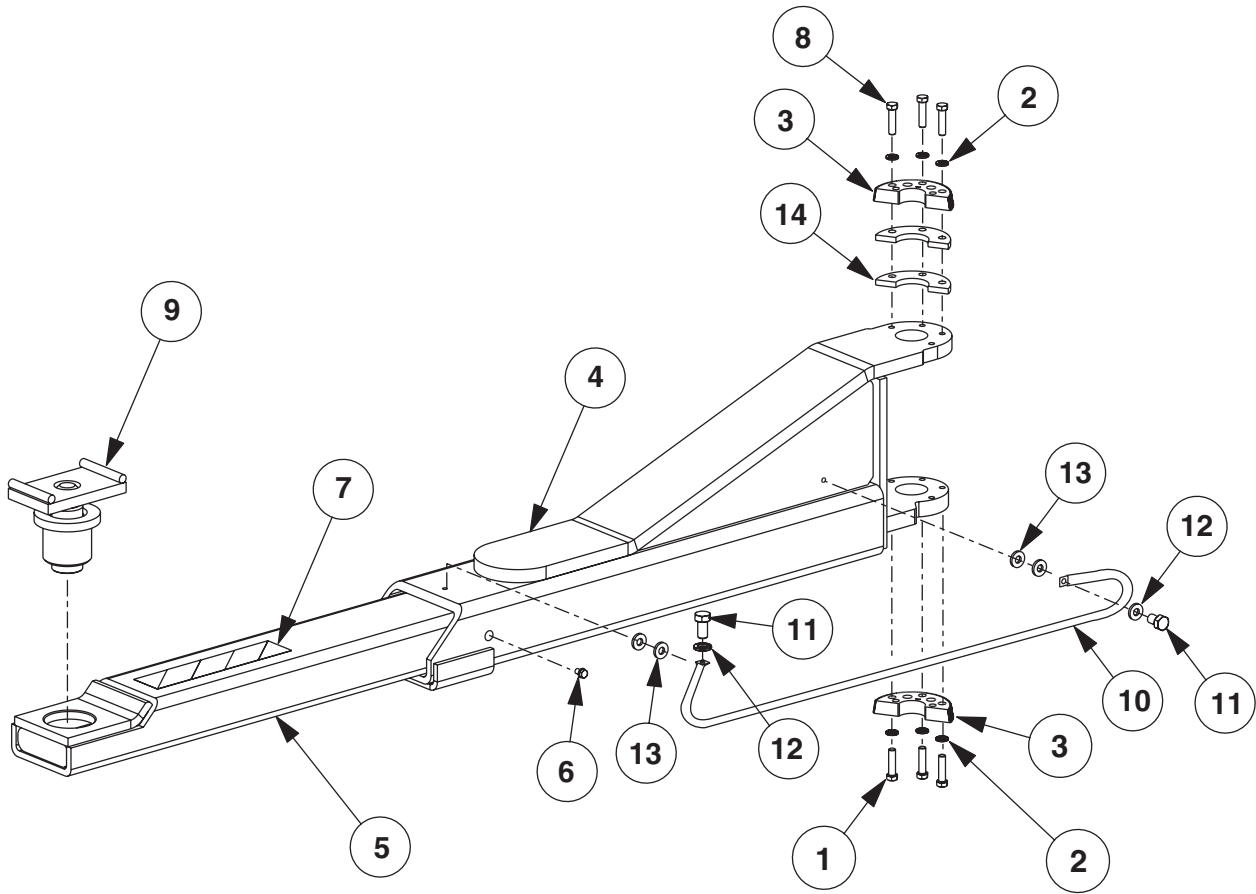
Rear

↑
APPROACH



Standard Arms (N2144)

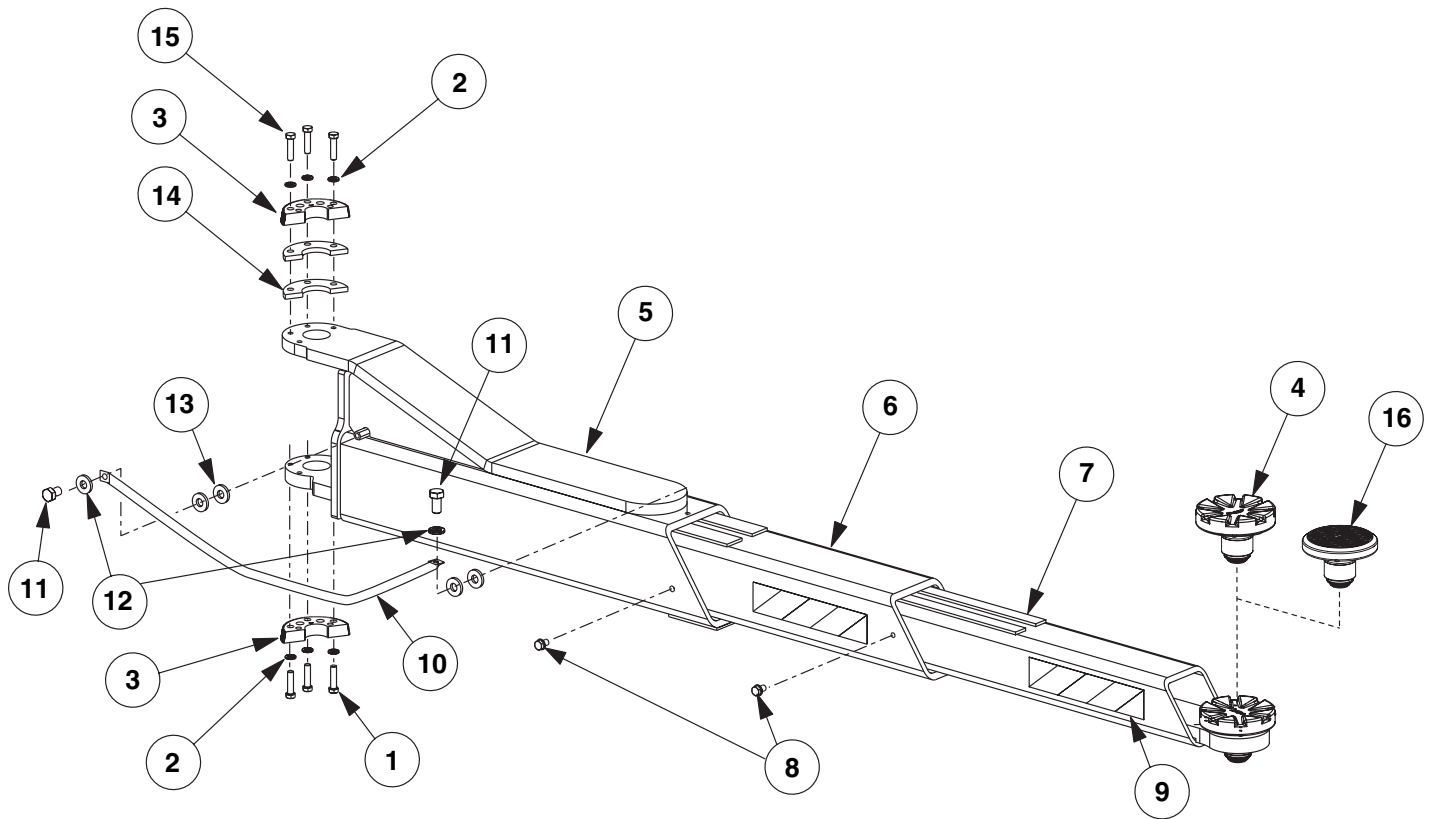
Capacity
6500Kg (14,300 lbs.)



- | | |
|---|----------|
| 1. 3/8"-16NC x 1-1/2" HHCS Grade 8 | 40373 |
| 2. 3/8" Spring Washers..... | 40818 |
| 3. Arm Restraint Gear | N2122 |
| 4. Outer Arm | N2144-1 |
| 5. Inner Tube | FJ7819-2 |
| 6. Stop Bolt Assembly | N219 |
| 7. Traffic Tape..... | N220-3 |
| 8. 3/8"-16NC x 2" Lg. HHCS Grade 8 | 40374 |
| 9. Adapter Assembly | FJ7822-1 |
| 10. Arm Guard..... | N253-3 |
| 11. 5/16"-18NC x 3/4" Lg. HHCS | 40252 |
| 12. 5/16" Flat Washer, Plated SAE Standard | 40856 |
| 13. 5/16" Split Lockwasher, Plated..... | 40856 |
| 14. Gear Spacer | N2144-6 |

Sprinter Arms (N2219)

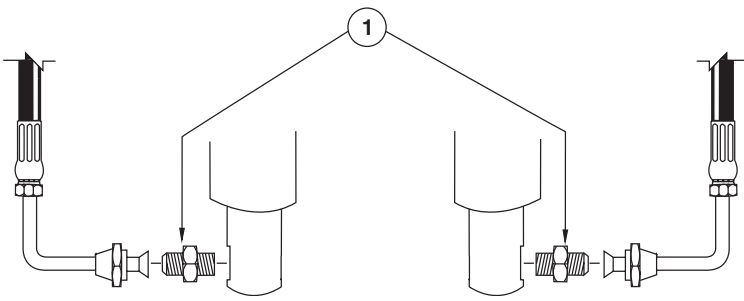
Capacity
5000 Kg. (11,000 lbs.)



1. 3/8"-16NC x 1-1/2" Lg. HHCS Grade 8 40373
2. 3/8" Spring Washers..... 40818
3. Arm Restraint Gear N2122
4. Adapter Assembly FJ6191
5. Long Outer Arm N2219-1
6. Long Middle Arm N2219-2
7. Long Inner Arm..... N2219-3
8. Stop Bolt Assembly N219
9. Traffic Tape..... N220-3
10. Arm Guard..... N283-6
11. 5/16"-18NC x 3/4" Lg. HHCS 40252
12. 5/16" Flat Washer, Plated SAE Standard 40856
13. 5/16" Split Lockwasher, Plated 40856
14. Gear Spacer..... N2144-6
15. 3/8"-16NC x 2" Lg. HHCS Grade 8 40374
16. Low Profile Adapter Assembly..... FJ6202

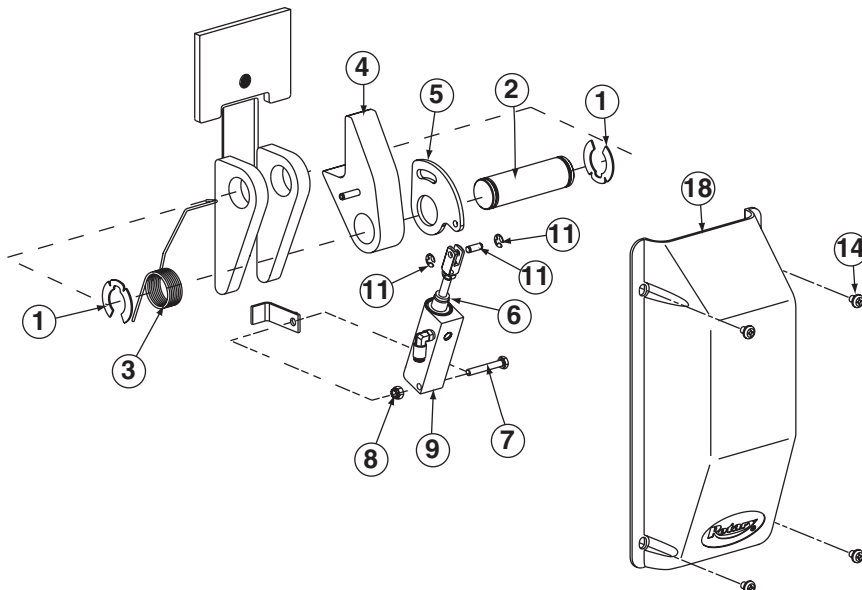
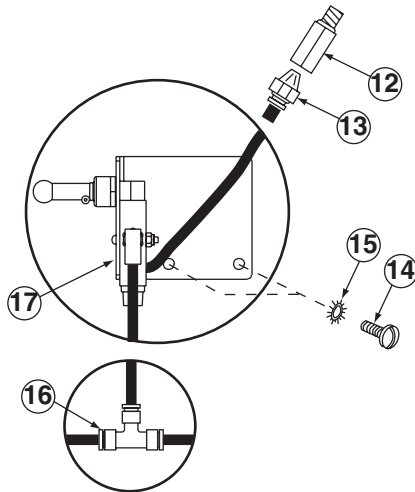
CYLINDER ADAPTER/HOSE DETAIL

ITEM#	DESCRIPTION	PART#
1	Straight Adapter	FJ7352-3



LOCKING LATCH DETAIL

ITEM#	DESCRIPTION	PART#
1	Truarc Klipring#5304-125 for 1 1/4" Shaft.....	41417
2	Latch Shaft.....	FJ7813-7
3	Latch Spring.....	FJ7813-5
4	Locking Latch Dog Assy.....	FJ7813-14
5	Latch Control Plate	FJ7813-6
6	Dampening Spacer	FJ7813-13
7	1/4"-20NC x 1-1/4" HHCS.....	40101
8	1/4"-20 Nylon Insert Nut.....	40642
9	Air Cylinder	N614-1
10	Swivel elbow 1/4"O.D. tube to 1/8" NPT	FA3134-6
11	Bimba Piston Rod Clevis #D-166-1 (set)	11263
12	Filter	FA3134-12
13	1/4" Male Connector	FC5191-6
14	5/16"-18NC x 3/8" PHMS.....	40227
15	5/16" External Lockwasher	40854
16	Union Tee.....	FC5225-46
17	Switch Bracket & Switch (Set)	N620
18	Latch Cover.....	FJ7451



Notes:

DATE	REV.	CHANGE MADE
08/05/05	A	Added FJ6202 Low Profile Adapter Assembly.
12/19/05	B	Updated adapter rack information.
07/05/06	C	Updated sheave pins.
07/26/06	D	Added SPO65E series lift.
08/15/06	E	Updated power unit part number and added barcode.

Rotary World Headquarters

2700 Lanier Drive
 Madison, IN 47250, USA
www.rotarylif.com

North America Contact Information

Tech. Support: p 800.445.5438
 f 800.578.5438
 e userlink@rotarylif.com
 Sales: p 800.640.5438
 f 800.578.5438
 e userlink@rotarylif.com

World Wide Contact Information

World Headquarters/USA: 1.812.273.1622
 Canada: 1.905.812.9920
 European Headquarters/Germany: +49.771.9233.0
 United Kingdom: +44.178.747.7711
 Australasia: +60.3.7660.0285
 Latin America / Caribbean: +54.3488.431.608
 Middle East / Northern Africa: +49.771.9233.0



A DOVER COMPANY

