

revolution



*Alignment Kit
Available!*



Shown: RSM4T
4082kg (9000lbs) capacity
with optional alignment kit

RSM4T Four Post Lift

Revolution's **RSM4T** is ideal for quick lifting and service of a wide range of vehicles - *the real value is the increase in productivity.*

RSM4T Features:

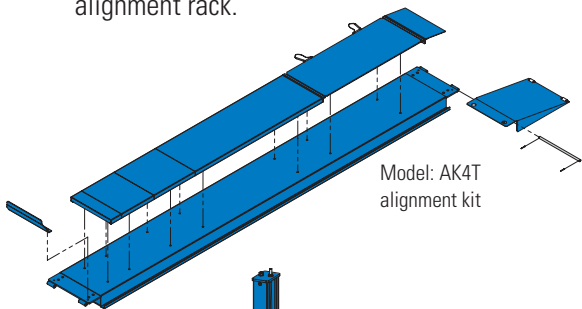
- Hydraulic cylinder placed under runway and out of the way
- Single piece column for added strength
- Multi-position locks allow runways to be level at any lock position
- Single point lock release
- Power unit controls located on front of column
- Front wheel stops easily replaced with optional drive-thru ramps
- Automatic ramp chocks with special ramp silencers
- Optional rolling jacks available for brake, tire and suspension work

RSM4T Four Post Lift

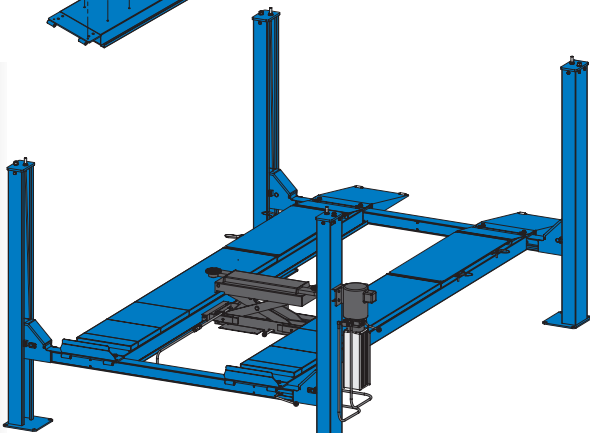
Optional accessories:

- RJ4500MBK / 2041kg (4,500 lbs.) capacity rolling bridge with manual pump
- FC5969 Air Pump Kit - changes manual pump rolling bridge to air operated
- FA5153 Radius Gauges
- AK4T Bolt-On Alignment Kit

The AK4T is a bolt-on alignment kit that offers an easy way to convert the RSM4T four-post lift into a fully equipped flat top alignment rack.



Model: AK4T alignment kit



Model: RSM4T with AK4T alignment kit

| Specifications | RSM4T |
|---------------------------|--------------------|
| Capacity | 4082kg (9000 lbs.) |
| A. Rise | 1962mm (77-1/4") |
| B. Overall Length | 5337mm (210-1/8") |
| Maximum Wheelbase | 3861mm (152") |
| C. Overall Width | 3276mm (129") |
| D. Width Inside Columns | 2718mm (107") |
| E. Length Between Columns | 4191mm (165") |
| F. Overall Height | 2221mm (87-7/16") |
| G. Runway Tread Width | 508mm (20") |
| H. Runway Height | 127mm (5") |
| I. Width Between Runways | 1000mm (39-3/8") |
| Rise Time | 55 seconds |
| Voltage/Amps | 208/230, 20 amps |
| Motor | 1Ø*/2HP/60Hz |

*Optional 3-phase available / 1Ø/2HP/50Hz

