

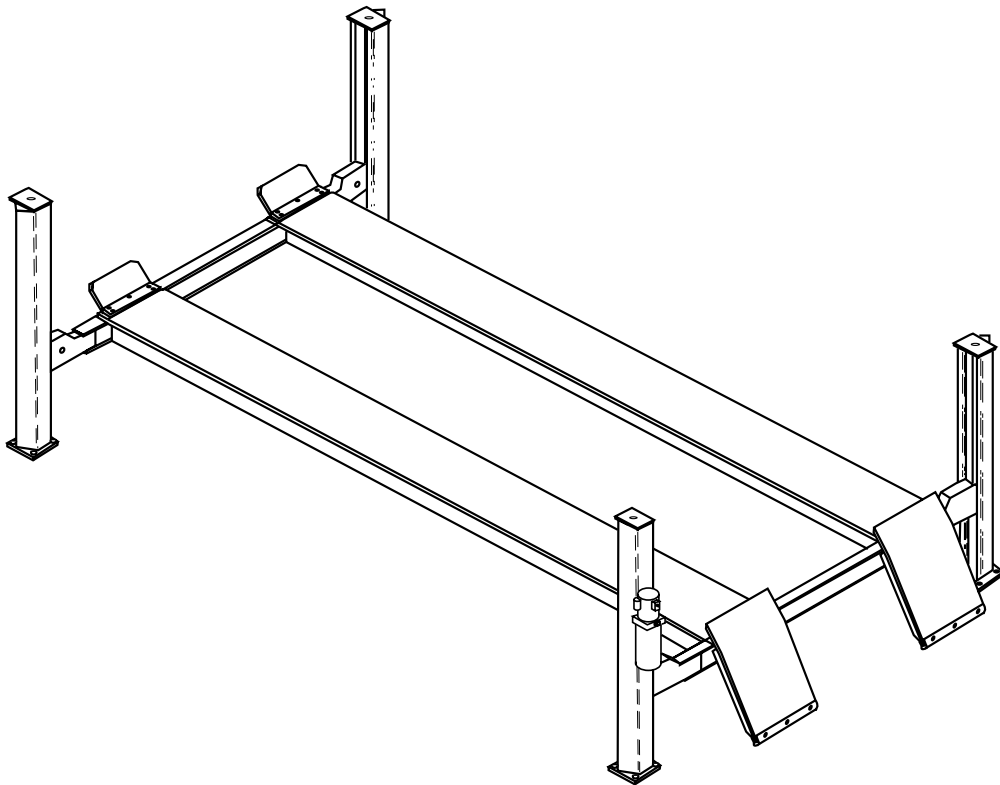


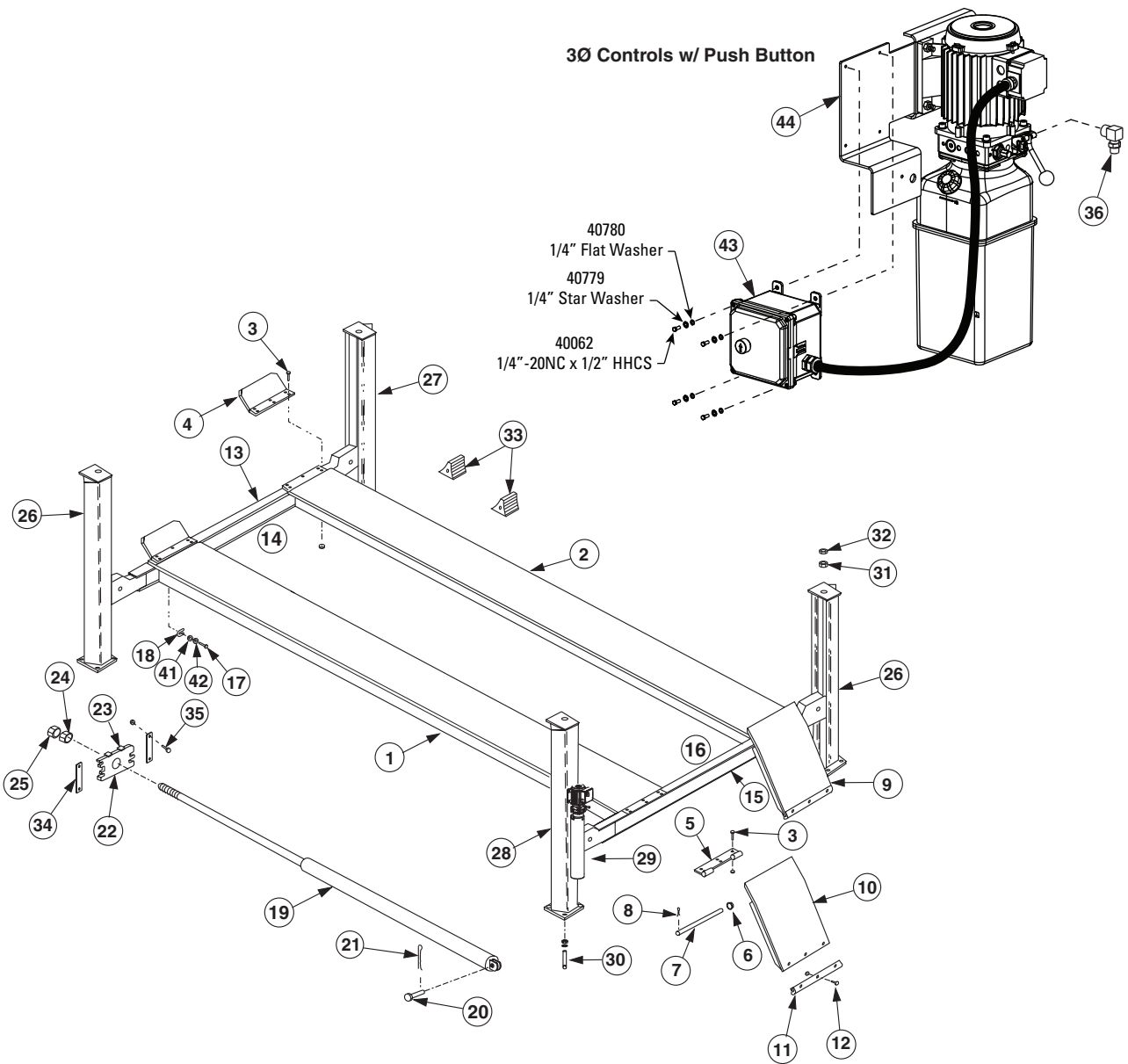
## CR30 Parts Breakdown

Capacity 30,000 lbs. (15,000 lbs. per axle)

271" Wheelbase

140" Minimum Wheelbase

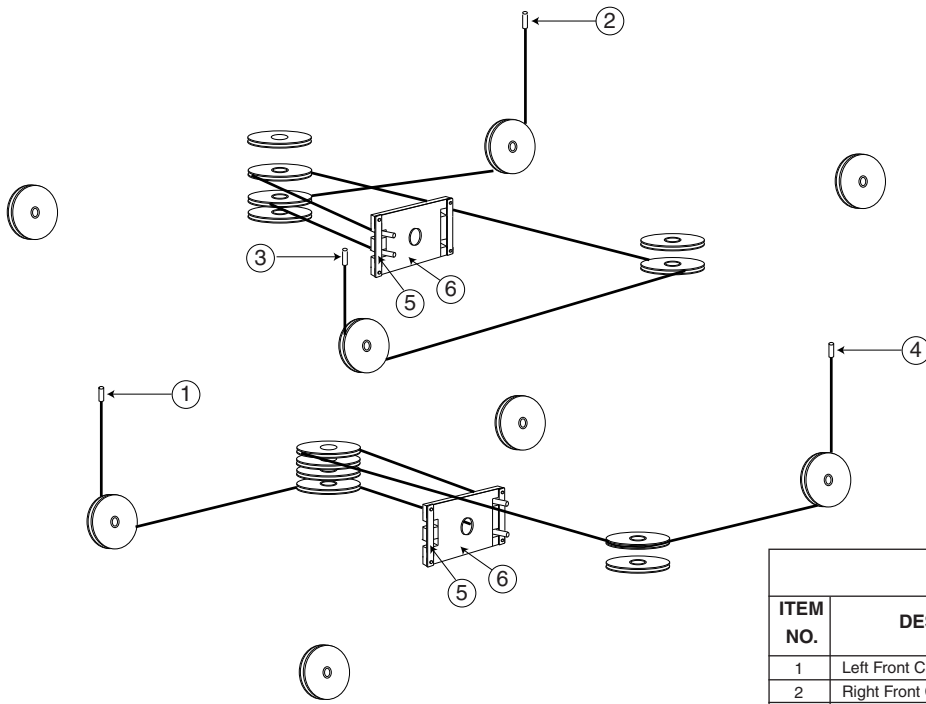




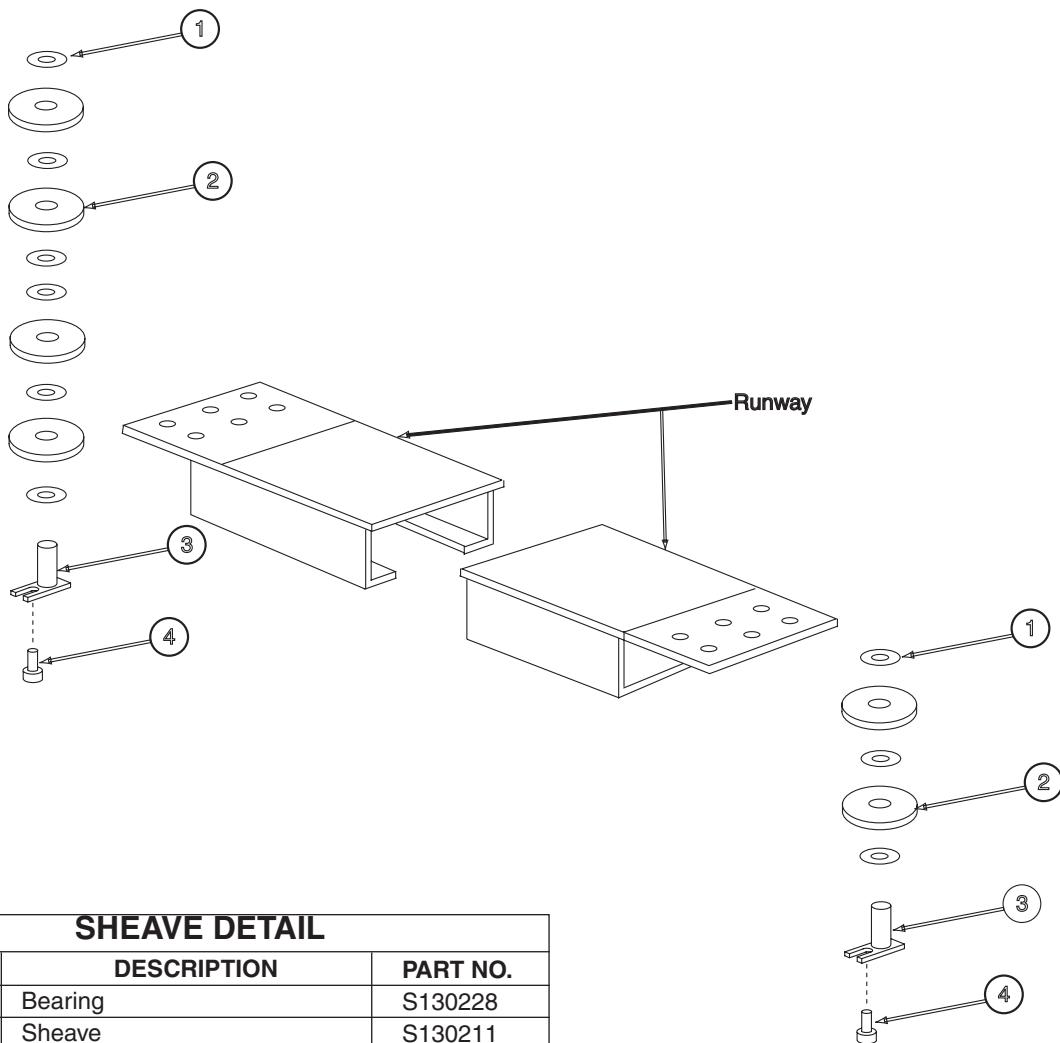
## CR30 COMPONENTS

ITEM NO.	DESCRIPTION	PART NO.			ITEM NO.	DESCRIPTION	PART NO.
		CR30S	CR30L	CR30EL			
1	Left Hand Rnwy Assy. (Includes: cylinder; cables; sheaves)	S110363	S110362	S110361	21	3/16" x 3" Cotter Pin	41253
2	Right Hand Runway Assembly	S110213	S110211	S110209	22	Cable Pull Bar	S110520
3	5/8" -11NC x 2 1/2" Hex Cap Screw (High Strength)	40344			23	Glide	S121263
4	Wheel Stop	40360			24	1 3/4" - 5NC Heavy Hex Nut	40777
5	Hinge Weld	FC5780-4			25	1 3/4" - 5NC Heavy Hex Jam Nut	40778
6	5/8" Pushnut Fastener	FC5179-4			26	Right Hand Column	FC5455-1
7	Hinge Pin	FC5225-39			27	Left Hand Column	FC5454-1
8	5/32" x 1" Cotter Pin	41202			28	Power Unit Column	FC5456
9	Ramp/Chock Assembly	FC5780-3			29	1Ø Power Unit	**P1028/P3028
10	Ramp/Chock Weldment	FC5225-36			30	3Ø Power Unit	**P1082/P3082
11	Plastic Slide	FC134-33			31	Anchor Bolt	FC5393-3
12	#10-24NC x 3/4" Lg. PNHDM S	40030			32	1 1/8"-7NC Hex Nut	40769
	#10-24NC Hex Nut	40630			33	1 1/8"-7NC Hex Jam Nut	40770
13	Front Yoke Weld	S120819			34	Rear Wheel Chock	FC337
14	Front Yoke Assembly ( Includes latches)	S110359			35	Retainer Bar	FC5225-72
15	Rear Yoke Weld	S120820			36	1/4"-20NC x 2 1/2" Lg. HHCS and Lock Nut	4 Req'd.
16	Rear Yoke Assembly (Includes latches)	S110360			37	Elbow	P1028-4
17	3/4"-10NC x 2" Lg. HHCS (Grade 8 min.)	40426			38	Adapter Plate	FA132-2
18	Plastic Shim	FJ716-6			39	5x.8x8mm FHMS	4 Req'd
19	Hydraulic Cylinder	FC5761			40	#8-32 NC x1/2"LG	4 Req'd
20	Clevis Pin	FC5225-23			41	Control Box 3 PH.	FA7163
					42	3/4" Flat Washer	40123
					43	3/4" Lock Washer	4100
					44	3Ø Control Box	FA9147
						3Ø Box Mounting Bracket	FA9155-1

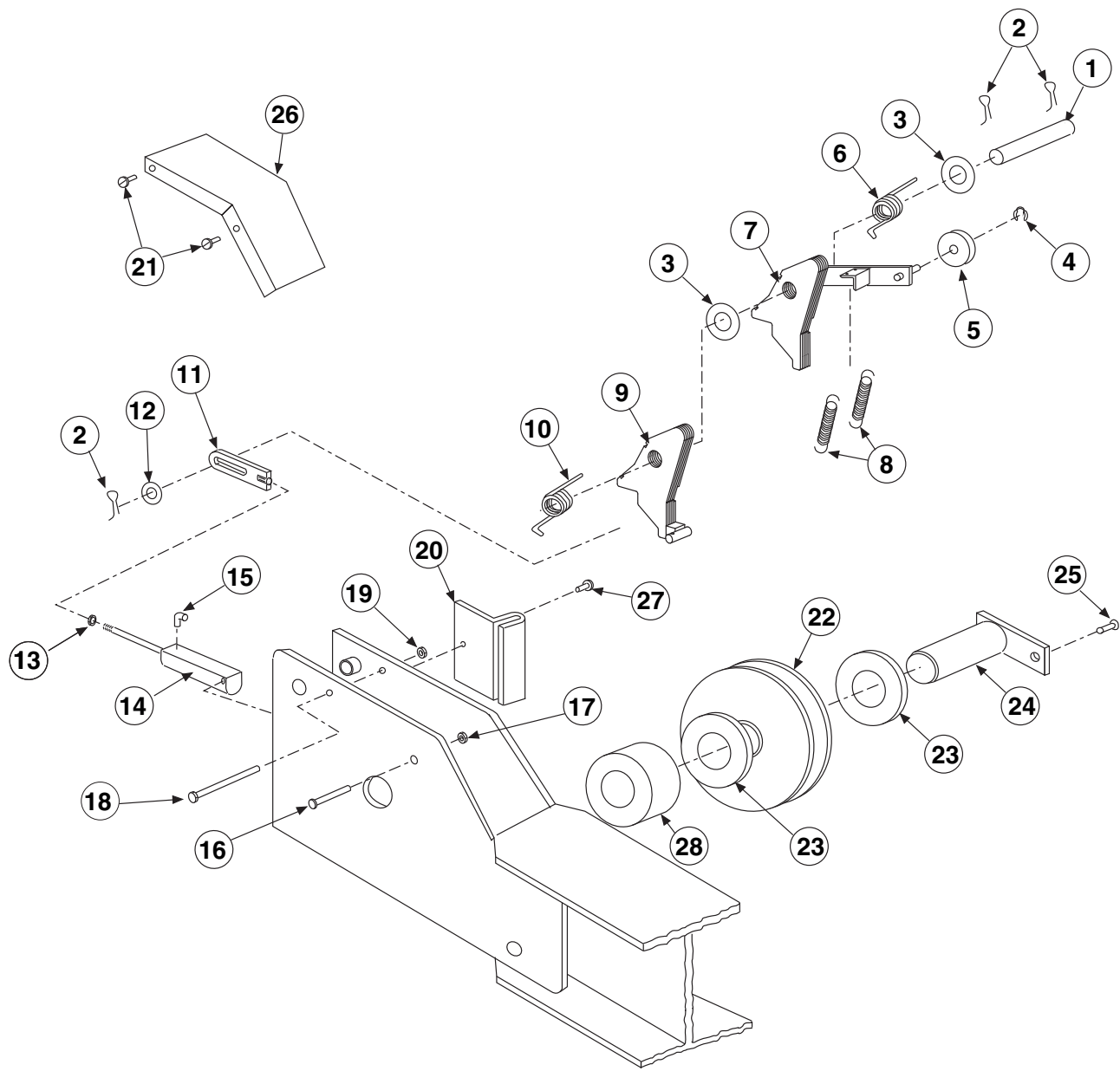
\*\*Two different power units were used. Please verify your exact model number before ordering replacement parts.



CABLE ROPING DETAIL				
ITEM NO.	DESCRIPTION	PART NO.		
		CR30S	CR30L	CR30EL
1	Left Front Cable	S130214	S130218	S130222
2	Right Front Cable	S130215	S130219	S130223
3	Left Rear Cable	S130216	S130220	S130220
4	Right Rear Cable	S130217	S130221	S130221
5	Pull Bar Hold	FC5225-72		
6	Cable Pull Bar	S110520		



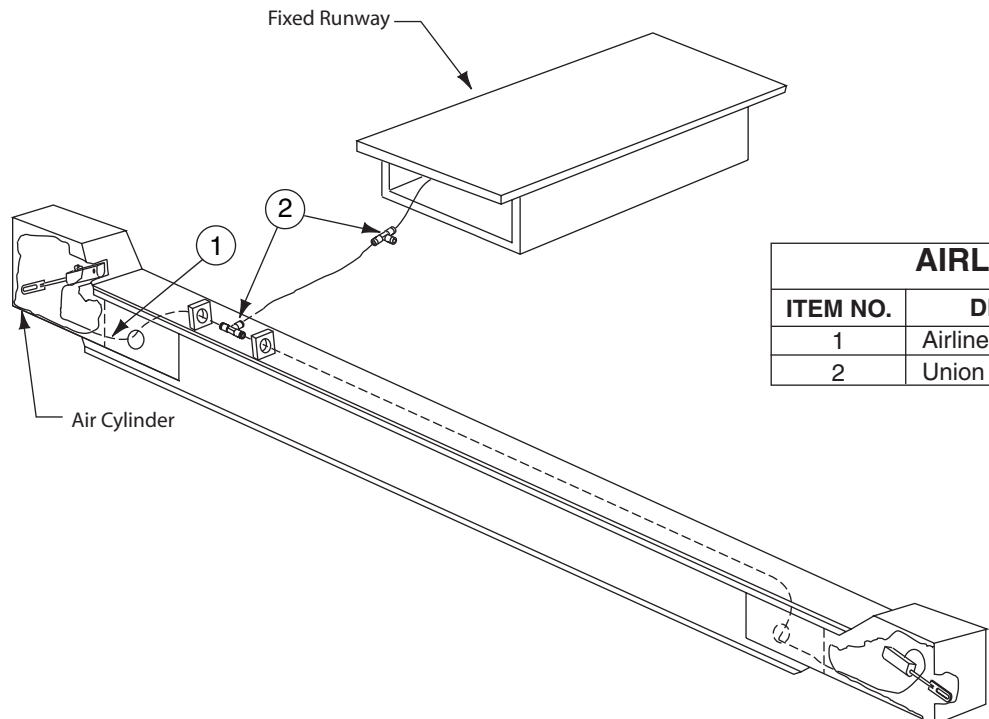
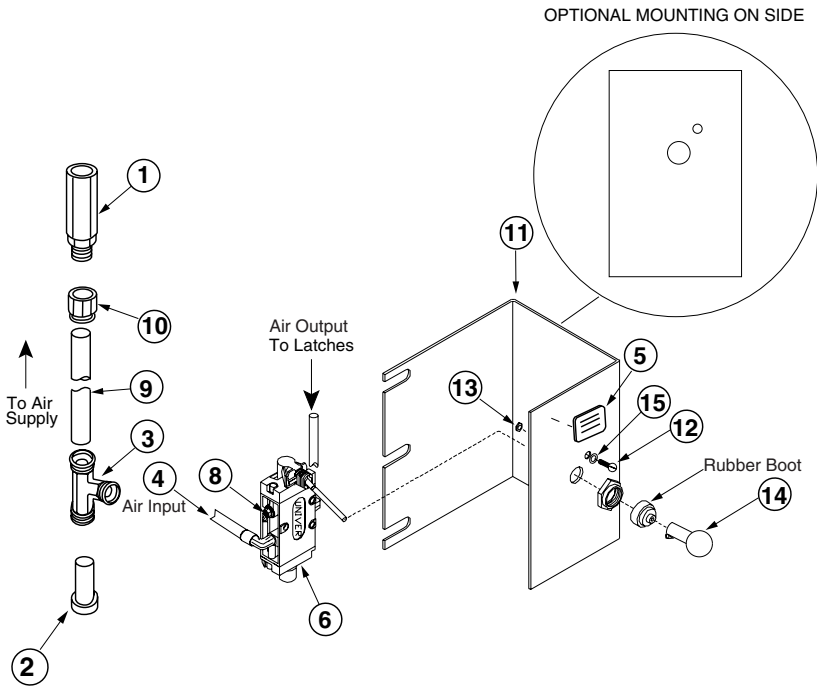
SHEAVE DETAIL		
ITEM NO.	DESCRIPTION	PART NO.
1	Bearing	S130228
2	Sheave	S130211
3	Sheave Pin Assembly	S120831
4	5/16"-18NC x 1/2" HSBHCS	40225



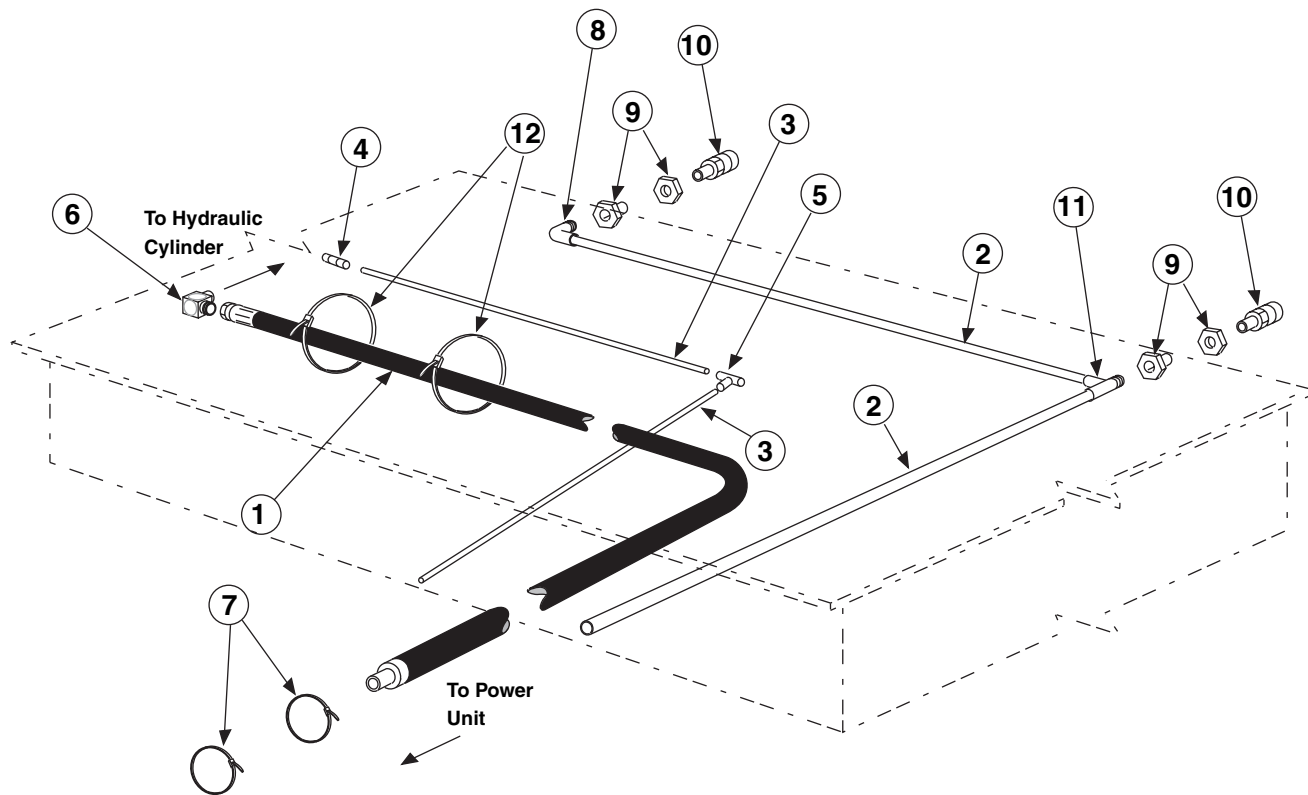
### YOKE END DETAIL

ITEM	DESCRIPTION	PART NO.	ITEM	DESCRIPTION	PART NO.
1	Latch Shaft	S130235	15	Elbow	FC5224-39
2	1/8" x 1 1/4" Cotter Pin	41201	16	1/4" - 20NC x 1 1/2" Lg. bolt	2 req'd.
3	Bearing	FC5301-98	17	1/4" - 20NC Nylon Insert Lock Nut	2 req'd.
4	Klip Ring for 3/8" Shaft	41410	18	1/4" - 20NC Hex CS x 4 1/2" Lg.	40116
5	Slack Cable Roller	FC5224-65	19	1/4" - 20NC Hex Jam Nut	40640
6	Left Hand Torsion Spring	S120562	20	Plastic Slider	FC5301-97
7	Slack Cable Locking Latch	L.H. FC5224-71 R.H. FC5224-70	21	Pinetree Retainer	FC5185-69
8	Extension Spring	FC522-25	22	Sheave	S130211
9	Locking Latch	L.H. FC5763 R.H. FC5762	23	Bearing	S130229
10	Right Hand Torsion Spring	S120563	24	Sheave Pin Assembly	S120828
11	Slotted Bracket	FC5224-35	25	5/16"-18NC HSBHCS x 1/2" Lg.	40225
12	3/8" Cut Washer	40820	26	Yoke End Cover	FC5224-30
13	1/4" - 28NF Hex Jam Nut	40622	27	1/4" - 20NC HHTS x 1/2" Lg.	40067
14	Air Cylinder	FC5706-6	28	Sheave Spacer	S130210

AIR LOCK RELEASE VALVE DETAIL		
ITEM NO.	DESCRIPTION	PART NO.
1	Valve	FA3134-12
2	3/8" Plug	FA2230-16
3	Union Tee	FA2242-1
4	1/4" Tubing (50' roll)	FA2230-2
5	Nameplate	NP280
6	Control Assembly	T140073
7	Elbow	FC5341-90
8	Filter/Muffler	T140075
9	3/8" Tubing (40 Ft. Roll)	FA2230-15
10	Female Connector	FA3134-13
11	Air Valve Bracket	S120457
12	#8-32NC x 1-1/2" Screw	40007
13	#8-32 Nut	40637
14	Handle	T140119
15	#8 Flat Washer	40788



AIRLINE DETAIL		
ITEM NO.	DESCRIPTION	PART NO.
1	Airline	16075
2	Union Tee	FC5225-46



### TUBING DETAIL

ITEM	DESCRIPTION	PART NO.			ITEM	DESCRIPTION	PART NO.
		CR30S	CR30L	CR30EL			
1	Hose	FC5225-16	FC5426-4	FC5427-4	8	Male Elbow	FC147-7
2	Long Runway Tube	16080	16080	16080	9	Connector	FC147-1
3	Main Tube	FA2230-2			10	Coupler	FC147-15
4	Union	FC5225-98			11	Male Run Tee	FC147-3
5	Union Tee	FC5225-46			12	Wire Tie	FC5225-26
6	Elbow Adapter	FJ7224					
7	Cable Tie	FJ7108-5					

**Notes:**



**Forward Lift**  
996 Industrial Drive  
Madison, IN. 47250

Phone: 800.445.5438  
Fax: 800.578.5438  
[www.forwardlift.com](http://www.forwardlift.com)

© 2010 Forward Lift; forward lift is a brand of RL Consolidated, A Dover Company. All rights reserved Unless otherwise indicated. Forward lift, RL Consolidated, Dover, and all other trademarks are property of Dover Corporation and its affiliates.