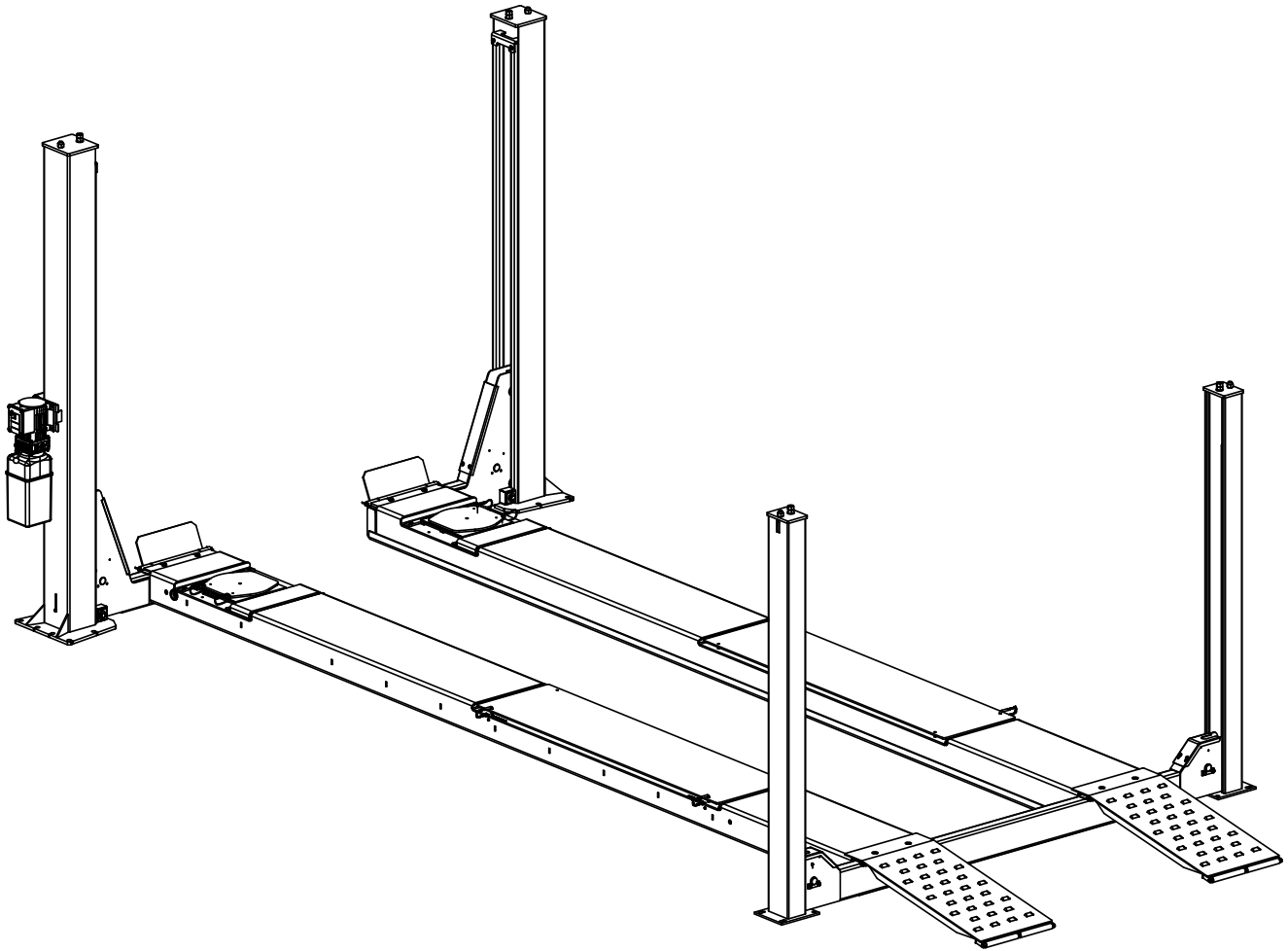
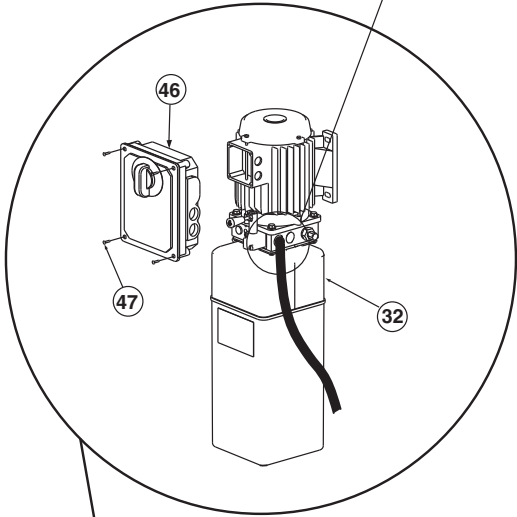
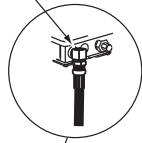


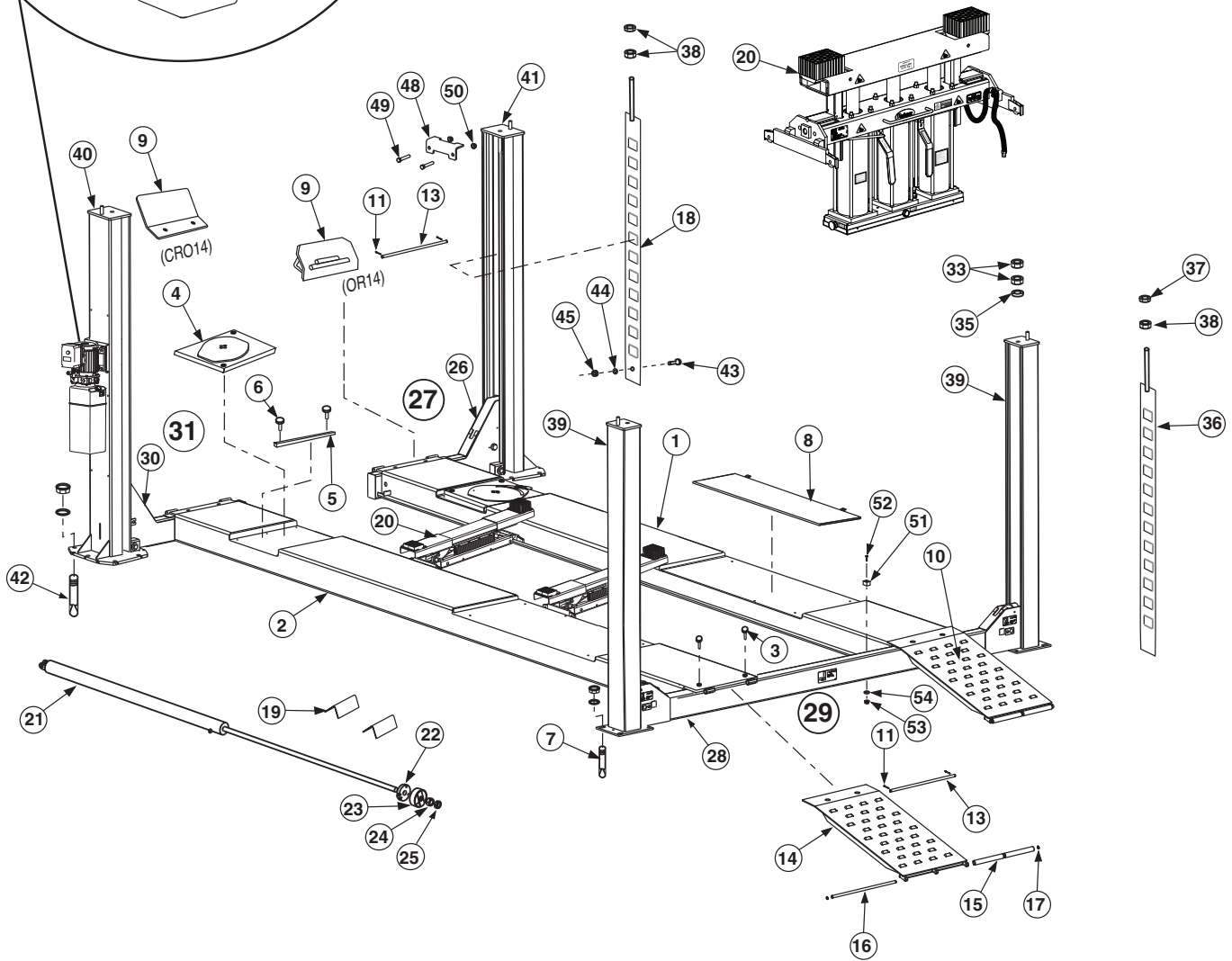
Four Post Surface Mounted Open Front Lift Capacity 14,000 lbs. (7,000 lbs. per axle)



SW-002 (Used on some models between Power Unit and Hose.)



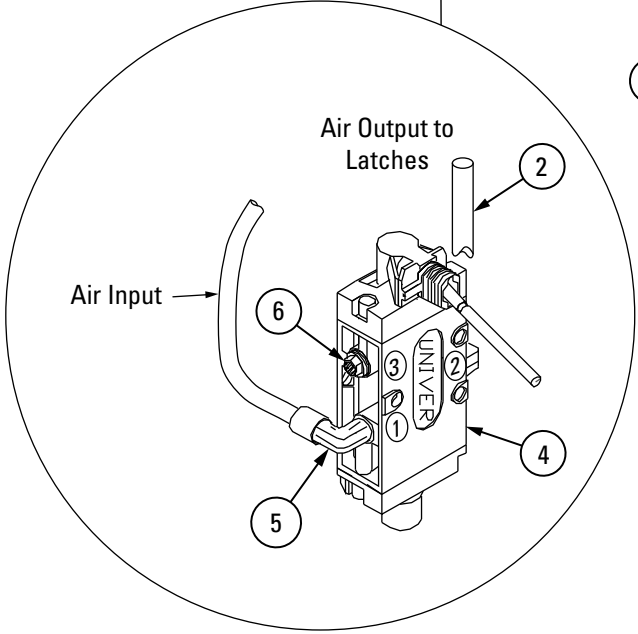
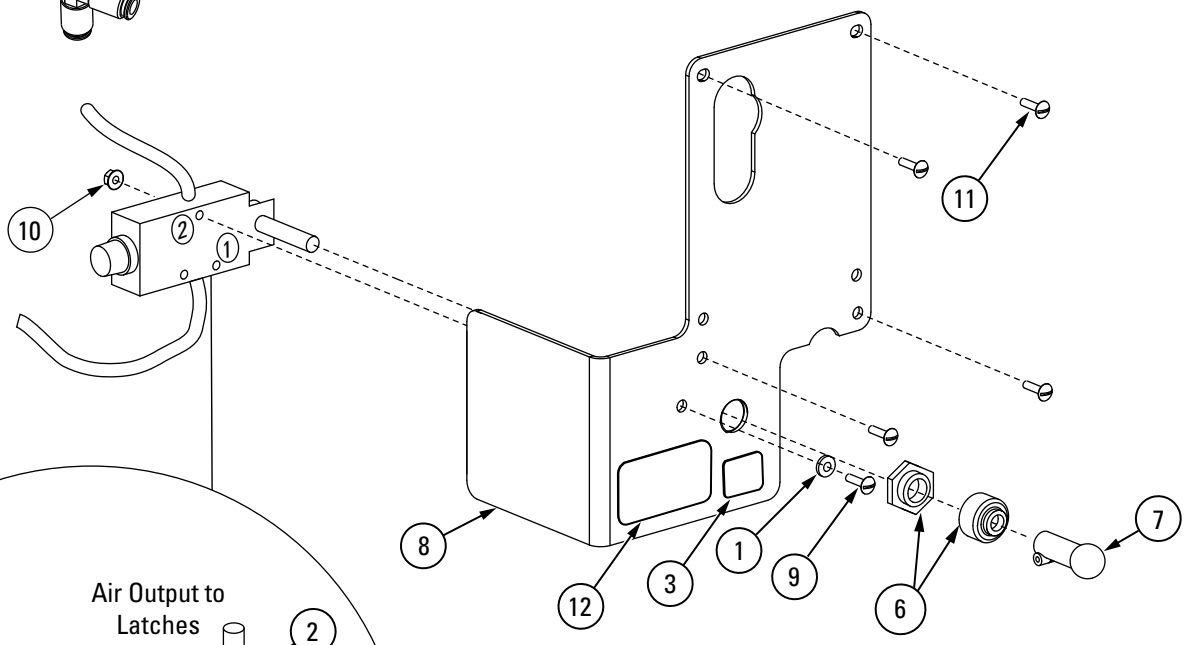
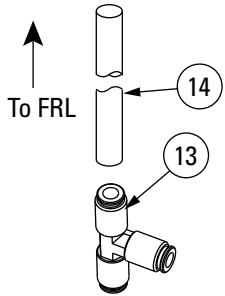
RUNWAYS		
LIFT MODEL	Left Hand Runway Assembly <i>(Includes cylinder, cables and sleeves)</i>	Right Hand Runway Assembly/ Weldment
OR14EL	S110427Y	S110425Y
OR14L	S110457Y	S110509Y
OR14S	S110456Y	S110510Y
CRO14EL	S110460Y	S110513Y
CRO14L	S110459Y	S110512Y
CRO14S	S110458Y	S110511Y



CRO / OR14 PARTS		
ITEM NO.	DESCRIPTION	PART NO.
1	R.H. Runway Assembly	Refer to Table on Opposite Page
2	L.H. Runway Assembly (Includes cylinder, cables and sheaves)	
3	M12-30 Flg. Whiz-Lock HHCS (High Strength)	B18-12-30
4	Turning Radius Gauge Ass'y.	FA5157
5	Turntable Guide Bar	FA5153-1Y
6	M10-20 Whiz-Lock	B18-10-20
7	5/8" Anchor Bolt	FC5228
8	Rear Slip Plate Kit * * For Slip Plate Parts, See Slip Plate Parts Breakdown - Later In Booklet	S100154Y
9	Wheel Stop (OR)	S121248Y
	Wheel Stop (CRO)	FC342Y
10	Ramp Chock Assembly (Standard)	S110405Y
	Ramp Chock Assembly (Extended)	S110406Y
11	M5-40 Cotter Pin	B52-5-40
12	-	-
13	Hinge Pin	FC5989Y
14	Ramp Chock Weld (Standard)	S121148Y
	Ramp Chock Weld (Extended)	S121300Y
15	Ramp Roller	FC5992Y
16	Roller Pin	FC5991Y
17	Snap Ring	B60-16
18	Front Latch Bar	S121208Y
19	Triangular Wheel Chock	H4P-R3100
20	Rolling Jack	RRJ70G
21	Hydraulic Cylinder	S130156 (S), S130243 (L, EL)
22	Cable Pull Bar	S120706Y
23	Cable Retainer	S120068Y
24	1 3/8"-6NC Hex Nut	40771
25	1 3/8"-6NC Hex Jam Nut	40773
26	Right Front Yoke Weldment	S121215Y
27	Right Front Yoke Ass'y (Including Latches)	S110424Y
28	Rear Yoke Weldment	S121210Y
29	Rear Yoke Ass'y (Including Latches)	S110422Y
30	Left Front Yoke Weldment	S121211Y
31	Left Front Yoke Assembly (Including Latches)	S110423Y
32	1Ø Power Unit	P3656 (S), P3642 (L, EL)
	3Ø Power Unit	P3523 (S), P3645 (L, EL)
33	M20 Hex Nut	B30-20
34	-	-
35	Ø20mm Flat Washer	B41-20
36	Rear Latch Bar	S121154Y
37	-	-
38	M20 Hex Nut	B30-20
39	Rear Column	S110445Y
40	Power Unit Column	S110420Y
41	Front Column	S110421Y
42	3/4" x 5-1/2" Anchor Bolt	FJ7380
43	M6-40 HHCS	B10-6-40
44	Ø6mm Flat Washer Plated	B41-6
45	M6 Nylon LockNut	B33-6
46	Control Box	FA7366
	Capacitor Box	FA7147-1
	Capacitor Box Cover Plate	FA7366-1
	Drum Switch	FA7364
	Drum Switch Lever	FA7364-1
47	M5 x 45 PHMS, Plated	41672
48	O.F. Column Tie Bar	S121239Y
49	M12-75 HHCS Grade 8	B10-12-75
50	M12 Whiz-Lock Nut	B391-12
51	Rubber Stop	FC7112Y
52	M6 x 35 HHCS	B10-6x35
53	M6 Nut	B30-6
54	Ø6mm Flat Washer	B41-6

AIR LOCK RELEASE VALVE DETAIL

ITEM NO.	DESCRIPTION	PART NO.
1	Ø4mm Flat Washer	B41-4
2	1/4" Tubing	FC2230-2
3	Nameplate	NP280
4	Control Ass'y.	T140073
5	Swivel Elbow	T140074
6	Filter / Muffler	PSV-01
7	Air Lock Handle	T140119
8	Control Bracket 1Ø	S110274Y
	Control Bracket 3Ø	S110286Y
9	M4-30 PHMS	B23-4-30
10	M4 Nylon Locknut	B33-4
11	M5 x 15 PHMS 1Ø	40277
	M5 x 50 PHMS 3Ø	41696
12	Nameplate	NP864
13	Union Tee	FA2242-1
14	3/8" tubing (40ft roll)	FA2230-15

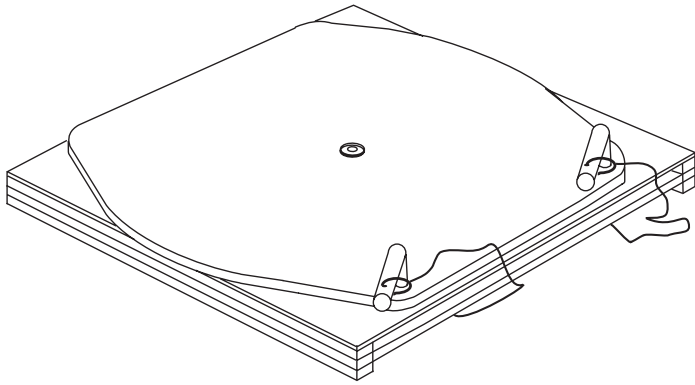


Radius Gauge Rebuild Kits

FA5153-2

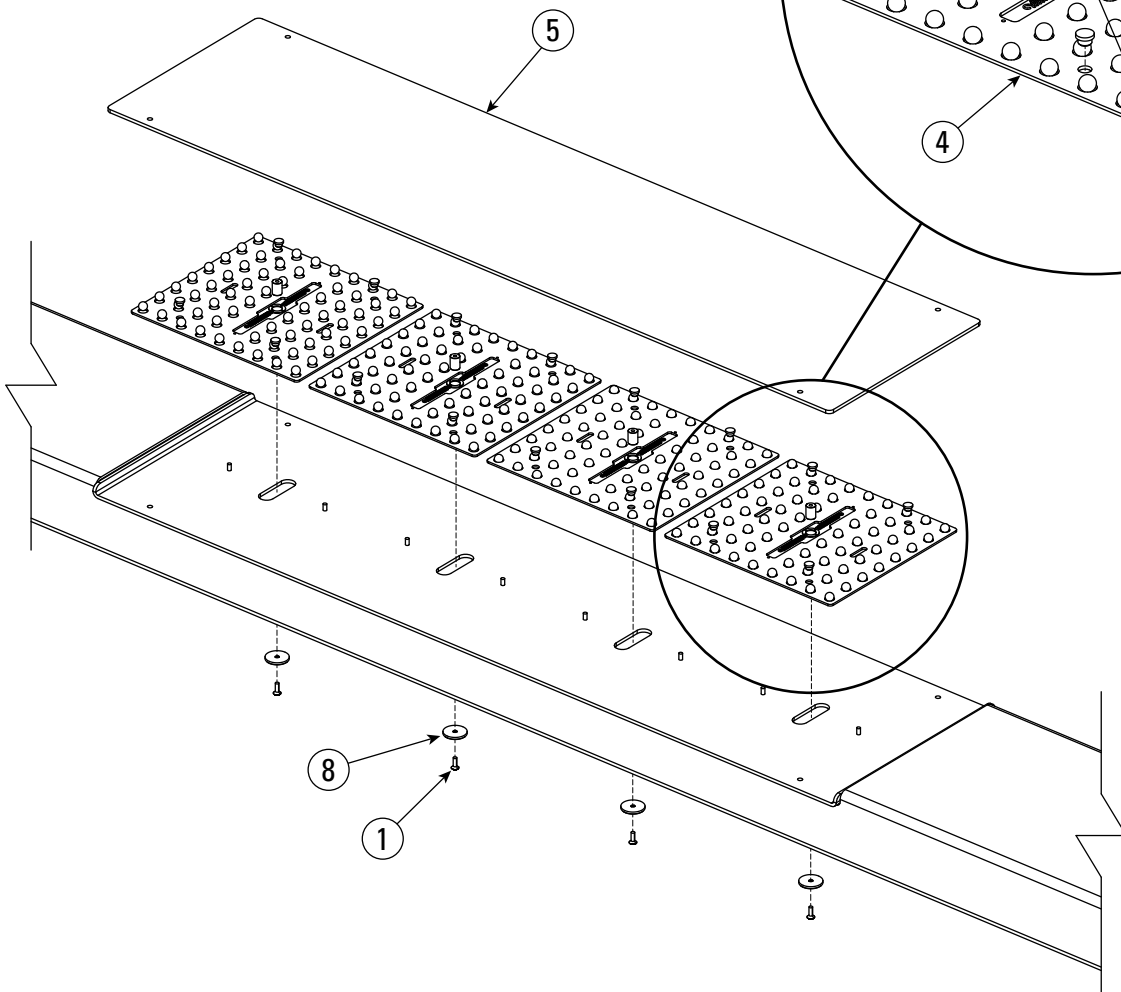
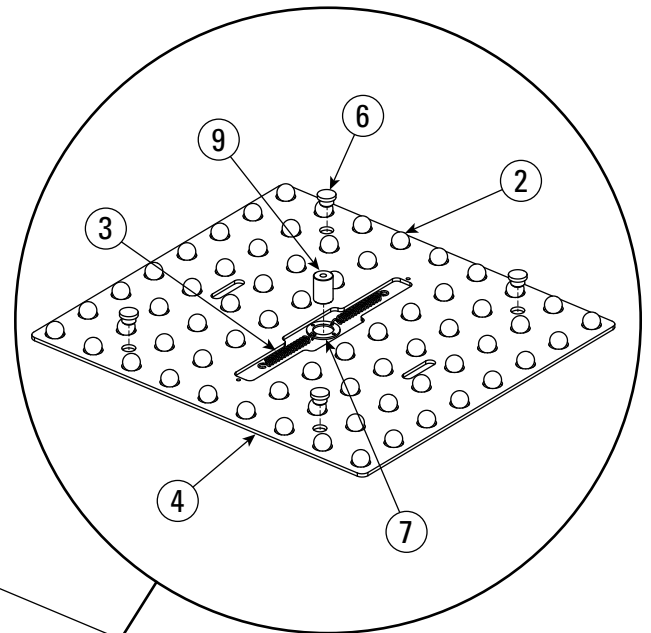
Kits include:

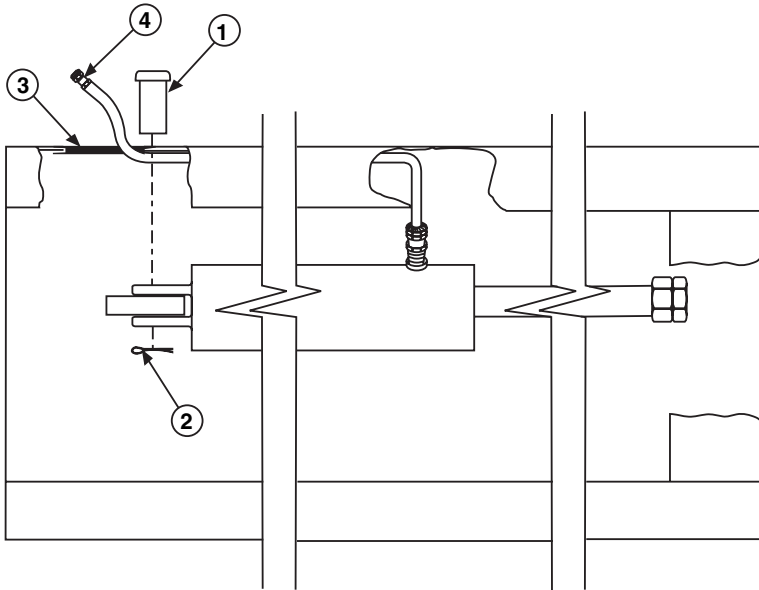
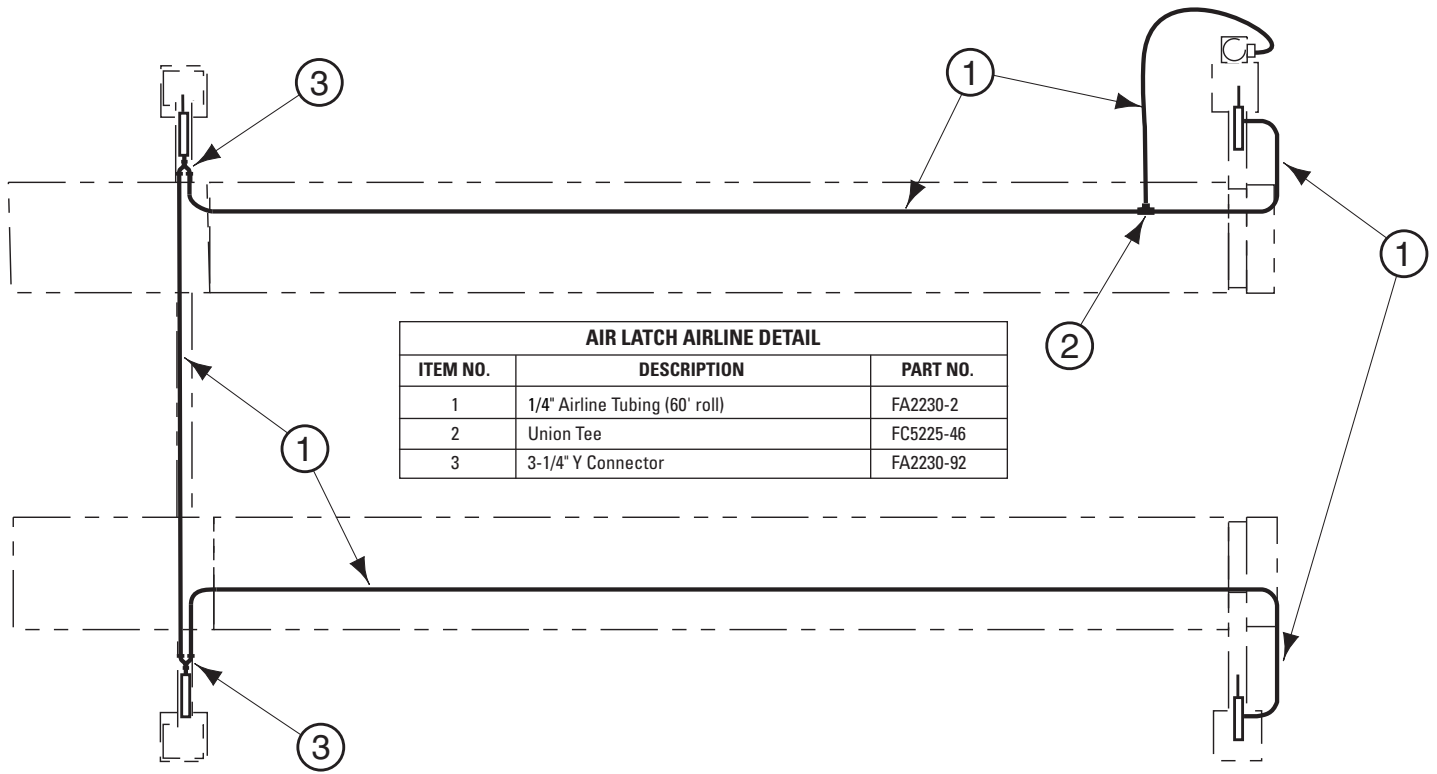
Delrin Balls	54
Zinc Internal Lock Washers	2
Carbon Springs	8
Bearing Retainers	2
Top Taper Screws	2
Bottom Set Screws	2



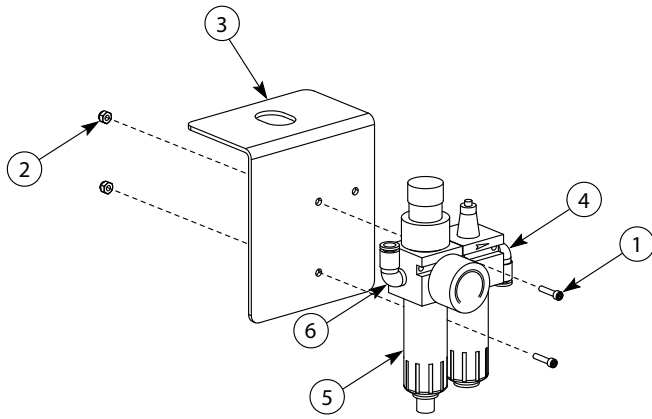
4 WS SLIP PLATE PARTS

ITEM NO.	DESCRIPTION	PART NO.
1	M8 x 25 Flat Head Screw	B26-8_25
2	Slip Plate Ball	FC5190-7
3	Spring	NH4D-1011
4	Ball Retainer	S121230Y
5	Rear Slip Plate Weld	S121231Y
6	Nylon Pin	FC625Y
7	Spring Tension Ring	SM60-1522
8	Rear Slip Plate Retainer Plate	SM65-2003
9	Rear Slip Plate Retainer Shaft	SM65-2102G

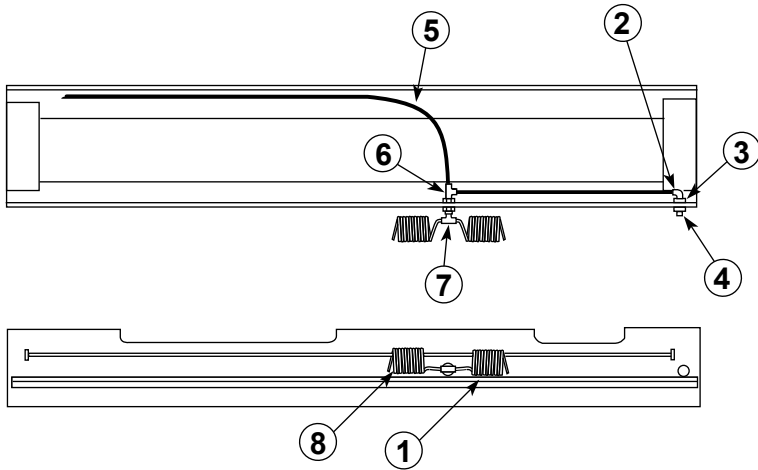




HYDRAULIC HOSE DETAIL		
ITEM NO.	DESCRIPTION	
1	Clevis Pin	S130158Y
2	Ø5mm x 60mm Lg. Cotter Pin	B52-5-60
3	Grommet	S130315Y
4	Hose	
	"S" Model	CR14-9801-4
	"L" Model	CR14-9801-3
	"EL2" Model	CR14-9801-2

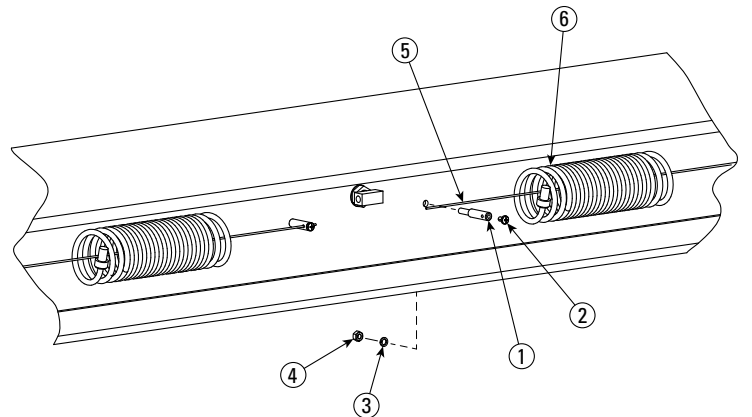


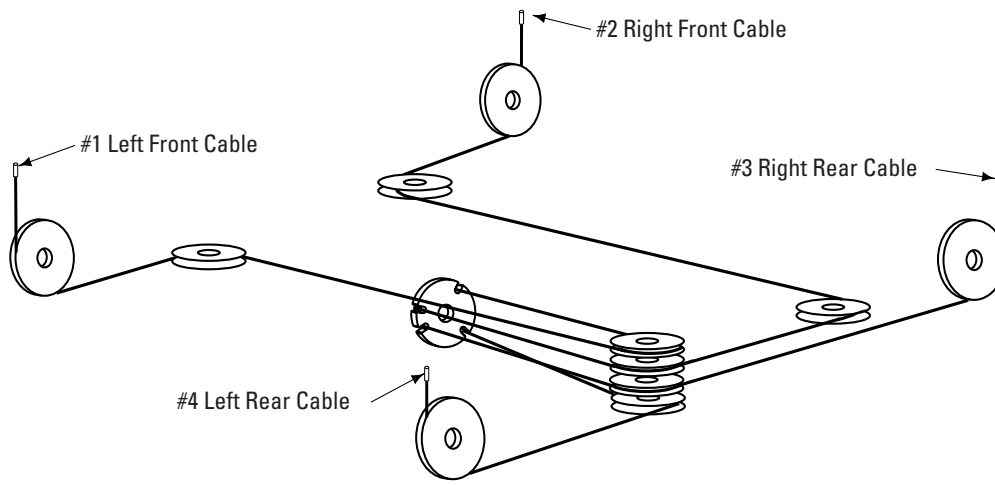
FRL DETAIL			
ITEM NO.	DESCRIPTION	CRO14	OR14
1	M4-12 Hex SHCS	B23-4-12	B23-4-12
2	M4 Nylon Lock Nut	B33-4	B33-4
3	Adapter Bracket	S120674Y	S120674Y
4	Elbow	FC5185-96	FC147-7
5	Filter/Regulator/Lubricator	S130080	S130080
6	Elbow	FC147	FC147



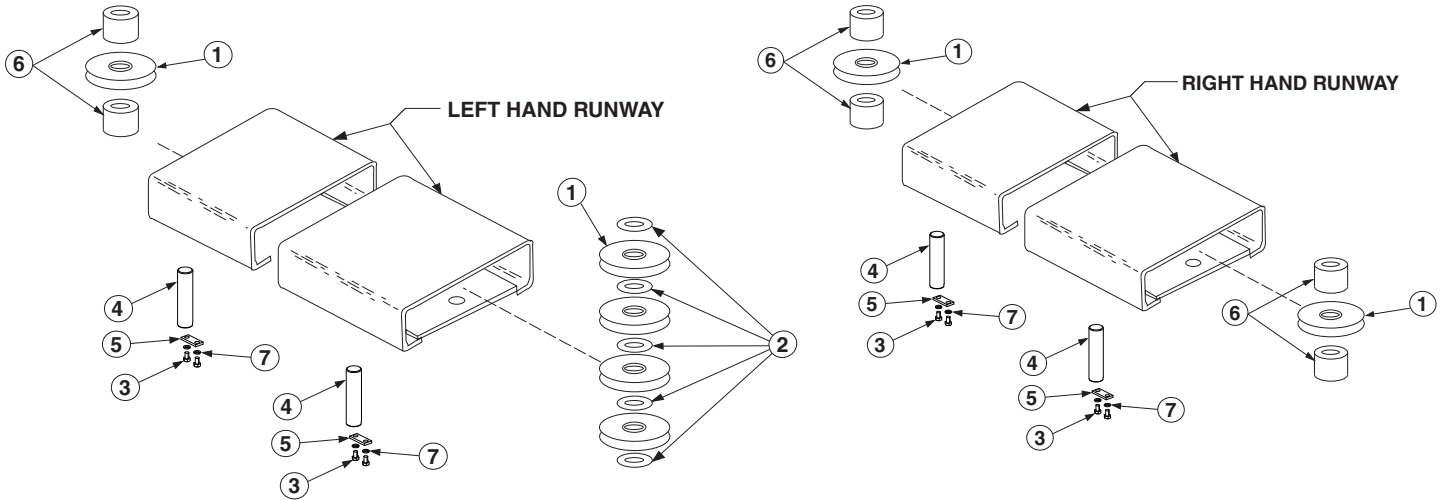
INTERNAL AIRLINE PARTS			
ITEM NO.	DESCRIPTION	PART NO.	PART NO.
		SHORT	L, EL MODEL
1	Front Recoil Hose	FC147-14	FC147-14
2	Male Elbow	FC147-7	FC147-7
3	Female Bulkhead	FC147-1	FC147-1
4	1/4" Hex Plug	40639	40639
5	Tubing	FA2230-15	FA2230-15
6	Male Run Tee	FC147-3	FC147-3
7	Male Branch Tee	FC147-5	FC147-5
8	Rear Recoil Hose	FC147-14	S130160

RETAINER CABLE DETAIL				
ITEM NO.	DESCRIPTION	PART NO.		
		S MODEL	L MODEL	EL MODEL
1	Guide Pin	H4P-3007	H4P-3007	H4P-3007
2	M6 X 10mm Cross Recess Pan Head Screw	B23-6-10	B23-6-10	B23-6-10
3	Ø8mm Star Washer	B49-8	B49-8	B49-8
4	M8 Hex Nut	B30-8	B30-8	B30-8
5	Front Airline Retainer Cable	S110464Y	S110464Y	S110464Y
	Rear Airline Retainer Cable	S110464Y	S110463Y	S110462Y
6	Recoil Hose	-	-	-

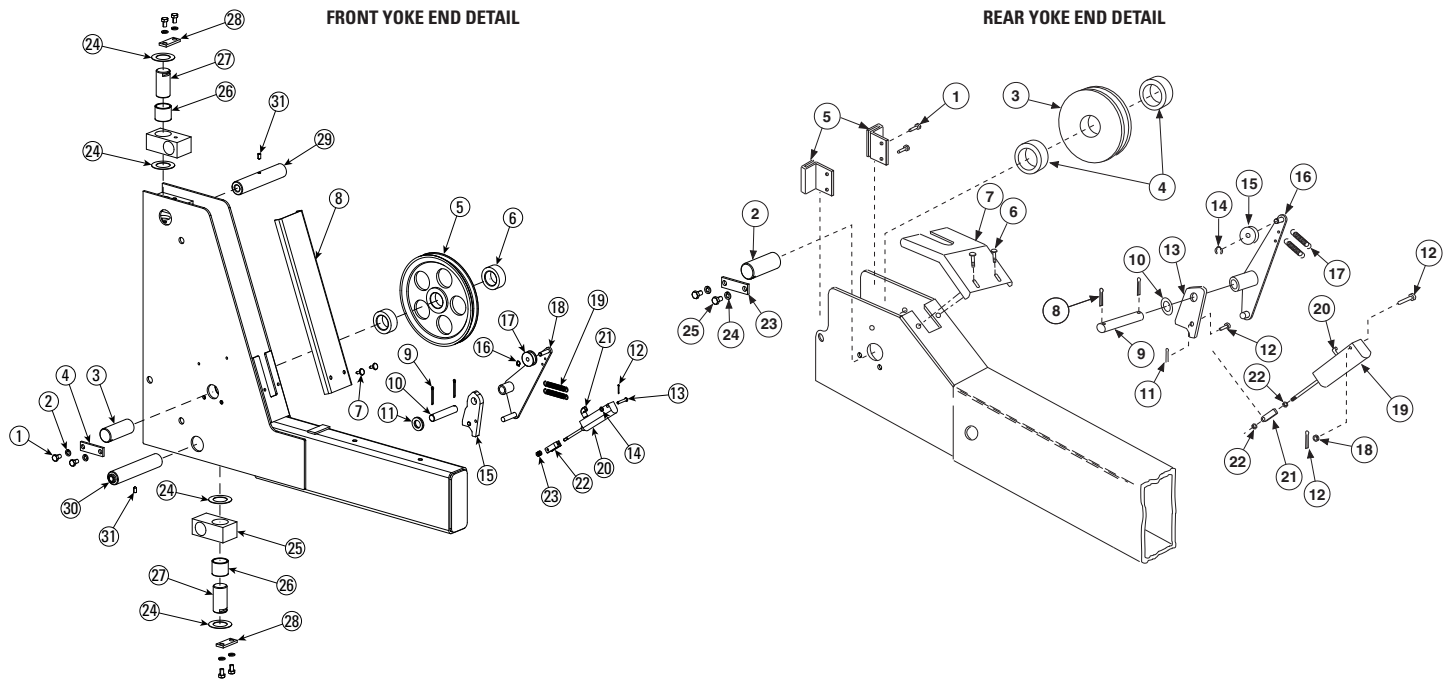




CABLES				
ITEM NO.	DESCRIPTION	PART NO.		
		CRO14/OR14		
		158"	182"	215"
1	Left Front Cable	S130262Y	S130264Y	S130268Y
2	Right Front Cable	S130263Y	S130265Y	S130269Y
3	Right Rear Cable	S130267Y	S130267Y	S130267Y
4	Left Rear Cable	S130266Y	S130266Y	S130266Y

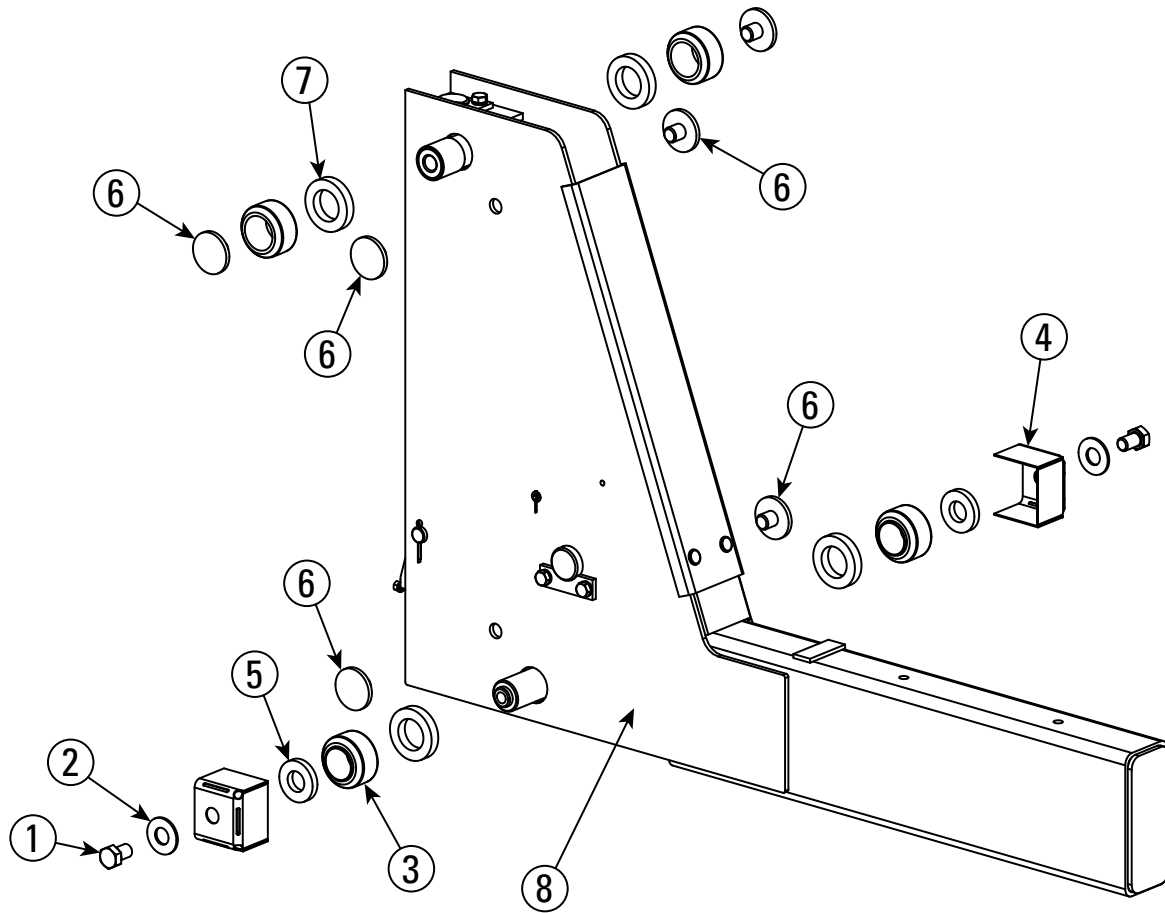


SHEAVE DETAIL		
ITEM NO.	DESCRIPTION	PART NO.
1	Sheave	FC5977Y
2	Bearing	S130246Y
3	M10-16 Lg. HHCS	B10-10 x 16
4	Sheave Pin	FC5983Y
5	Sheave Pin Retainer	H4P-1020
6	Sheave Spacer	S130310Y
7	Ø10mm Lock Washer	B40-10



FRONT YOKE END DETAIL			FRONT YOKE END DETAIL		
ITEM	DESCRIPTION	PART NO.	ITEM	DESCRIPTION	PART NO.
1	M16 HHCS	B10-10-16	16	Snap Ring	B60-9
2	Ø10mm Lock Washer	B40-10	17	Slack Cable Roller	FC553-21Y
3	Sheave Pin	FC5981-1Y	18	Kicker	S121255Y
4	Sheave Pin Retainer	H4P-3006	19	Spring	FC522-25Y
5	Sheave	FC5977Y	20	Air Cylinder	S130061
6	Plastic Spacer (on Sheave)	S130286Y	21	Elbow Fitting	FC5224-39Y
7	Nylon Tree Rivet	460440	22	Clevis	FC5993Y
8	OF Yoke Cover	S130341Y	23	1/4" Nut	40622
9	Cotter Pin (on Latch Shaft)	B52-4-40	24	Plastic Spacer (on Block)	S130311Y
10	Latch Shaft	FC5901-7Y	25	Articulating Block	S121257Y
11	Ø20mm Flat Washer	B41-20	26	Block Bearing	T2868T29
12	Cotter Pin (on Air Cylinder/Clevis)	B52-2-20	27	Block Pin	S121258Y
13	Clevis Pin	S130287Y	28	Block Pin Retainer	H4P-1020
14	Ø6mm Flat Washer	B41-6	29	Upper Roller Pin	S121237Y
15	Locking Latch	FC5986Y	30	Lower Roller Pin	S121236Y
			31	M8 Set Screw	B22-8-16

REAR YOKE END DETAIL			REAR YOKE END DETAIL		
ITEM	DESCRIPTION	PART NO.	ITEM	DESCRIPTION	PART NO.
1	M8 x 12 Cross Recessed Countersunk Screw	B24-8 x 12	14	M9 Snap Ring	B60-9
2	Sheave Pin	FC5981-1Y	15	Slack Cable Roller	FC553-21Y
3	Sheave	FC5977Y	16	Kicker	S121272Y
4	Yoke Sheave Spacer	S130286Y	17	Extension Spring	FC522-25Y
5	Slider	FC622Y	18	M6 Flat Washer	B41-6
6	Nylon Tree Rivet	460440	19	Air Cylinder	S130061
7	Guard	FC5985Y	20	Elbow	FC5224-39
8	Cotter Pin, 4 x 40	B52-4 x 40	21	Clevis	FC5993Y
9	Latch Shaft	FC5901-7Y	22	1/4" -28NF Hex Nut	40622
10	M20 Washer	B41-20	23	Lock Plate	H4P-3006
11	2 x 20 Hairpin Cotter Pin	B52-2 x 20	24	M10 Lock Washer	B40 x 10
12	Clevis Pin	S130287Y	25	M16 Hex Head Cap Screw	B10-10 x 16
13	Latch	FC5986Y			



ROLLER ASSEMBLY AND SLIDERS			
ITEM NO.	DESCRIPTION	PART NO.	
1	5/8"-11 x 1" lg. HHCS	B10-5/8-11	
2	5/8" Flat Washer	B41-5/8	
3	Roller Assembly	FC5905	
4	Wheel Cover	FC5905-5Y	
5	Wheel Bearing	FC5905-3Y	
6	Slider (7/32" thick)	S130206Y	
7	Wheel Spacer	S130314Y	
8	Front Yoke	Left	S121211Y
	Weldment	Right	S121215Y

NOTES

Date	Rev.	Description
10/8/2014	-	New 4-Post issue
12/3/2014	A	FA5157 was S130205, SJ8000 removed

Vehicle Service GroupSM
2700 Lanier Drive
Madison, IN 47250, USA
1-800-640-5438
www.vsgdover.com



© **Vehicle Service GroupSM**
All Rights Reserved. Unless otherwise
indicated, **Vehicle Service GroupSM**,
and all other trademarks are property
of Dover Corporation and its affiliates.