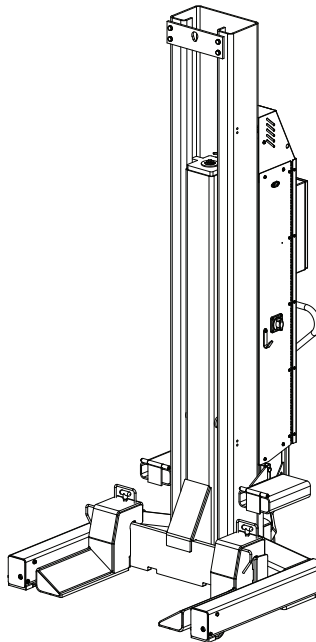




FREELANDER

**Mobile Column Lift
24V DC Powered**

**4 Column Lift Capacity 32,800 kg.
6 Column Lift Capacity 49,200 kg.
8,200 kg. per column**



**P
A
R
T
S

B
R
E
A
K
D
O
W
N**

IMPORTANT: When ordering parts or requesting service always give exact model and power unit serial number. Model number is shown on nameplate attached to side of column. Power unit serial number is located on front of power unit.

OWNERS RECORD
Complete information
at right and keep in
a safe place.

Date Installed _____

Installed in Bay # _____

Power Unit Serial # _____

Power Unit Model # _____

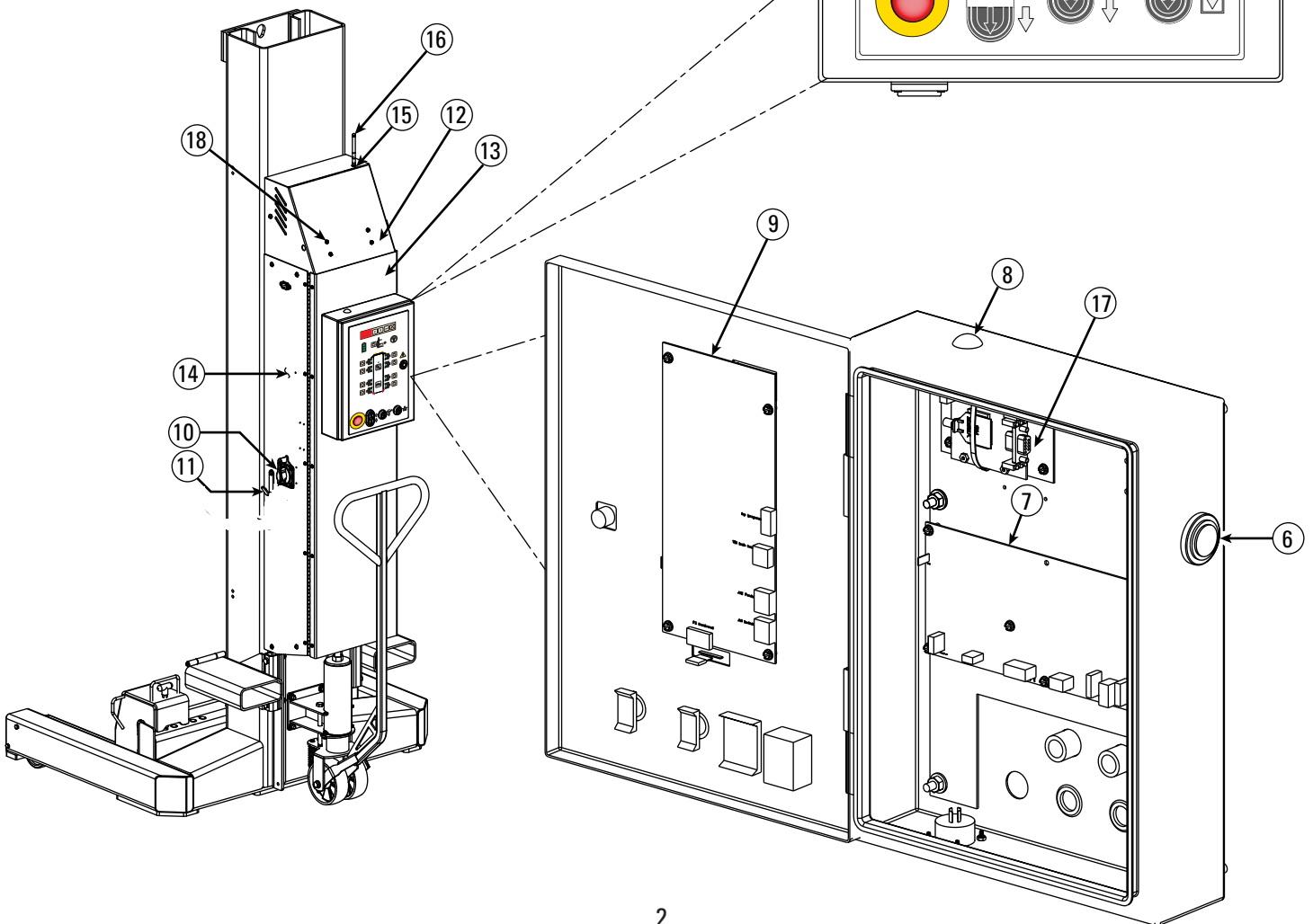
Lift Serial # _____

Lift Model # _____

NOTE: For replacement parts -See your nearest Blitz Parts Distributor.

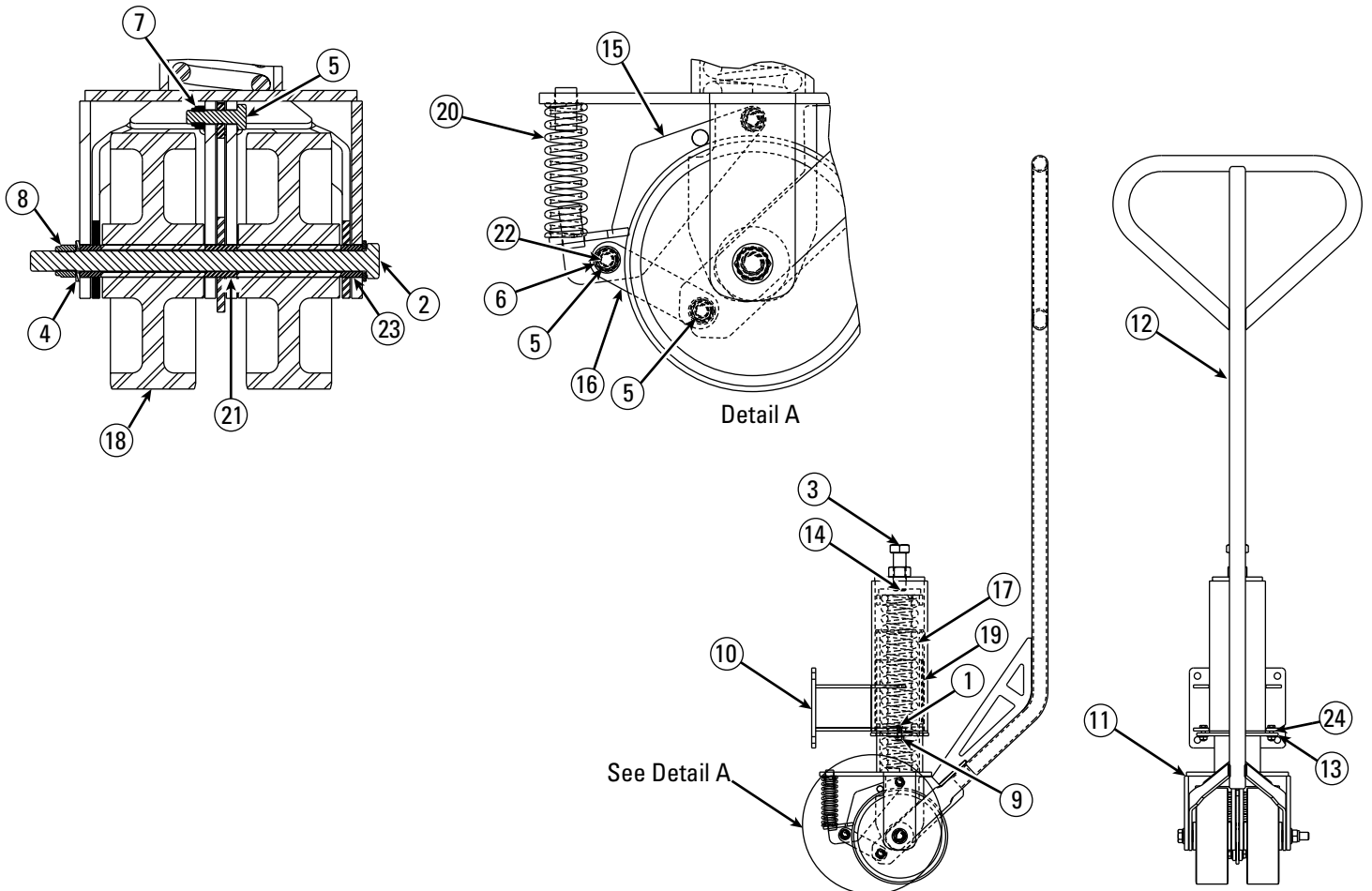
PB171211
Rev. B 07/23/2018

Item	Description	Part No.
1	Control Panel Assembly	M110062
2	Membrane Touchpad	FA7964
3	E-Stop Actuator	FA7962
4	Dual Push Button	FA7958-22
5	Single Push Button	FA7968
6	Audible Single Device	FA7974
7	Control Board	FA7965
8	1/2" Hole Plug	FA7958-9
9	UI Board	FA7963
10	DC Disconnect Switch	FA7958-4
11	Cord Hook	M120189
12	Upper Cover Assembly	M110060
13	Cover Weldment	M120163
14	Side Panel Assembly	M110061
15	RP SMA Jack Bulkhead	M130072
16	RF Antenna	M130074
17	Modem Assembly	M140032
18	Self Drilling Screw	M130112

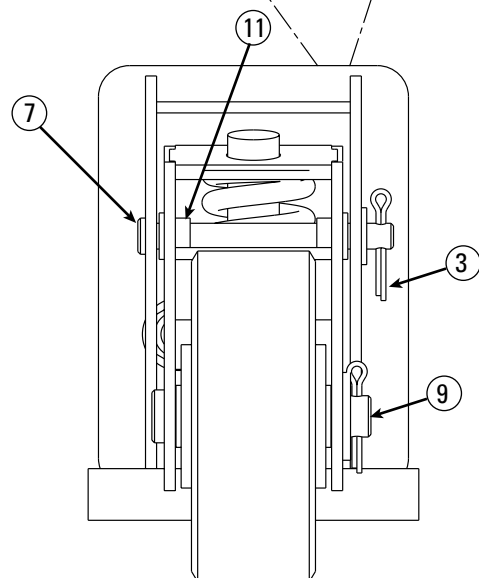
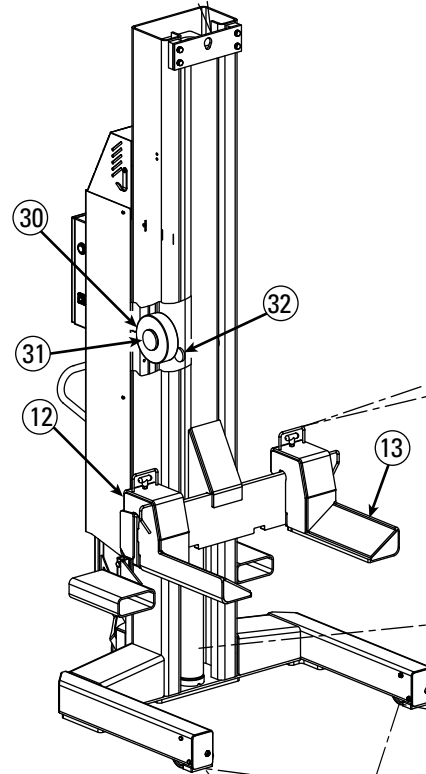
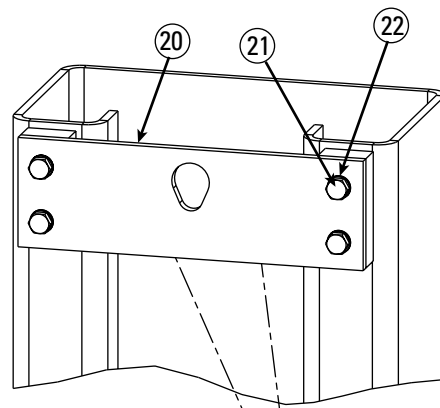


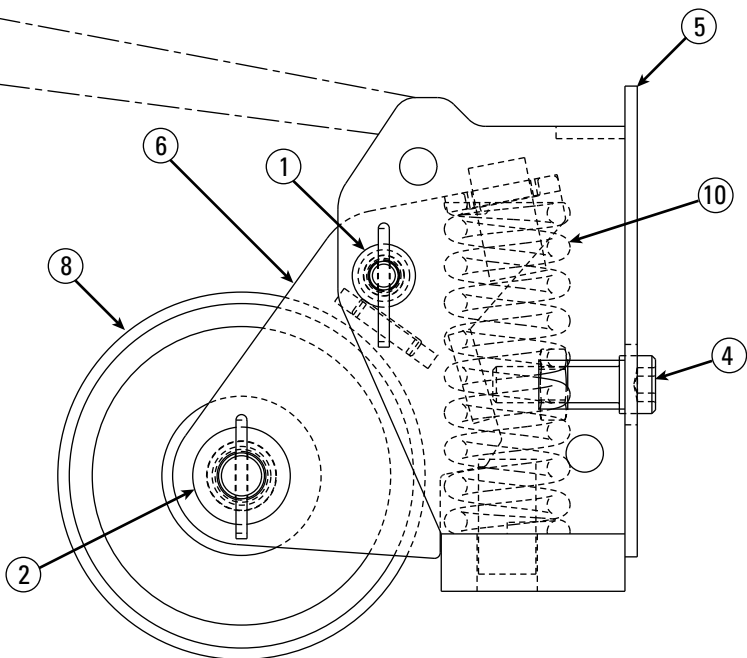
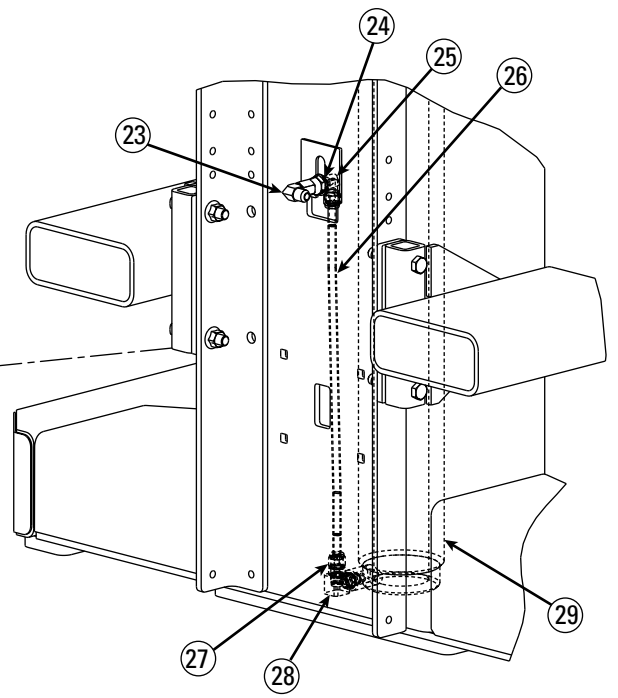
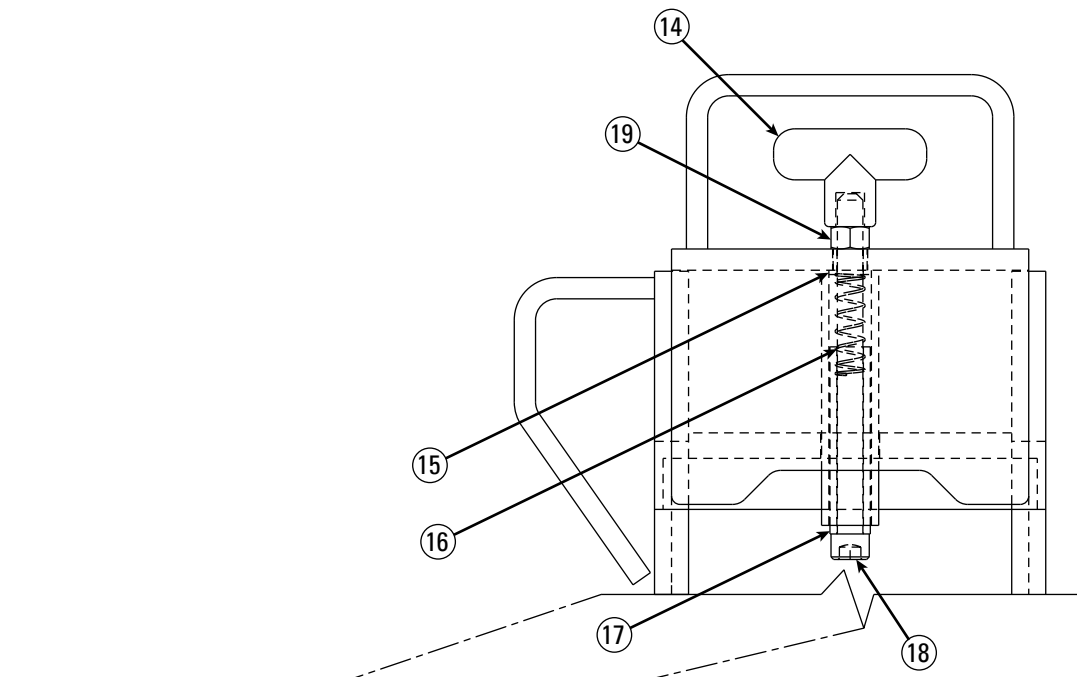
Item	Description	Part No.
1	M6 x 1.0 x 20mm Lg. HHCS, PLTD	41413
2	M12 x 1.75 x 200mm Lg. HHCS Grade 8.8, PLTD	41483
3	M20 x 2.5 x 60mm HHCS Full Thread Grade 8.8, PLTD	M130129
4	M12 Flat Washer	41520
5	M8 x 125 x 30mm Lg. HHCS	41539
6	M8 Flat Washer	41548
7	M8 x 125 Hex Nylon Insert Locknut	41563
8	M12 x 1.75 Hex Nylon Insert Lock Nut PLTD	41568
9	M6 x 1.0 Hex FLGD WZLock Nut	41618
10	Caster Mounting Weldment	M120049Y

11	Caster Clevis Weldment	M120052Y
12	Handle Weldment	M120058Y
13	Caster Retainer Plate	M120075Y
14	Spring Cap Weldment	M120077Y
15	Brake Weldment	M120080Y
16	Link Arm	M120084Y
17	Caster Spring	M130010
18	Caster Wheel	M130101Y
19	UHMW Bearing Sheet	M130019Y
20	Brake Spring	M130020Y
21	Center Handle Bearing	M130021Y
22	Linkage Bearing	M130022Y
23	Outer Handle Bearing	M130026Y
24	Flange Bearing	M130027Y

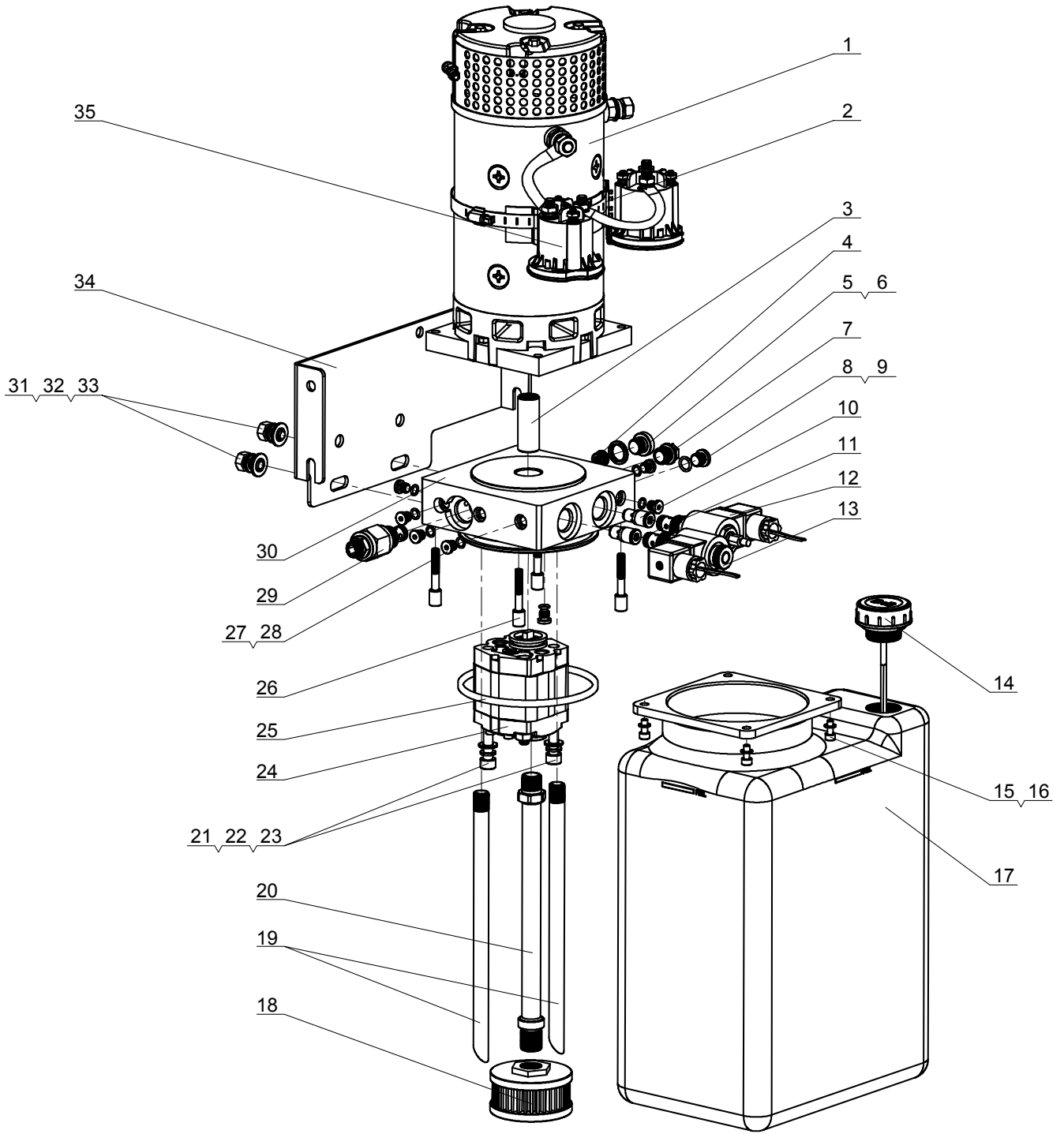


Item	Description	Part No.
1	5/16" SAE Flat Washer, PLTD	40856
2	1/2" SAE Flat Washer	40920
3	1/8" x 1" Lg. Cotter Pin	41200
4	M10 x 1.5 x 35mm Nylon Locking SOC. HD. CS., PLTD	41512
5	Base Weldment	M120138Y
6	Wheel Bracket Weld	M120144Y
7	Pivot Shaft	M120148Y
8	Leg Wheel	M120149Y
9	Floor Roller Shaft	M120150Y
10	Leg Wheel Spring	M120151Y
11	Flanged Bearing	M130030Y
12	RH Fork Assembly	M110011Y
13	LH Fork Assembly	M110010Y
14	Fork Pin Handle	M130013Y
15	Fork Pin Bushing	M130015Y
16	Fork Pin Spring	M120136Y
17	Bolt Collar	M120135Y
18	3/8"-16NC x 5" Lg. Hex SHCS, PLTD	40389
19	3/8"-16NC Hex Nut, PLTD Grade 5	40659
20	Tie Bar	M120045Y
21	M12 Lock Washer	41595
22	M12 x 1.75 x 30mm Lg. HHCS Grade 8.8, PLTD	41684
23	Swivel Nut Elbow #6	M130028
24	9/16" Internal Tooth Lock Washer, PLTD	40998
25	Bulkhead Union Elbow #6	T140138
26	Cylinder Hydraulic Tube	M130009
27	Adapter	FJ7352-3
28	Velocity Fuse	M130016
29	Hydraulic Cylinder	M130001Y
	Cylinder Seal Kit	M130130
30	Roller	M130002Y
31	Carriage Slider	M130006Y
32	Slider	FC5905-4Y





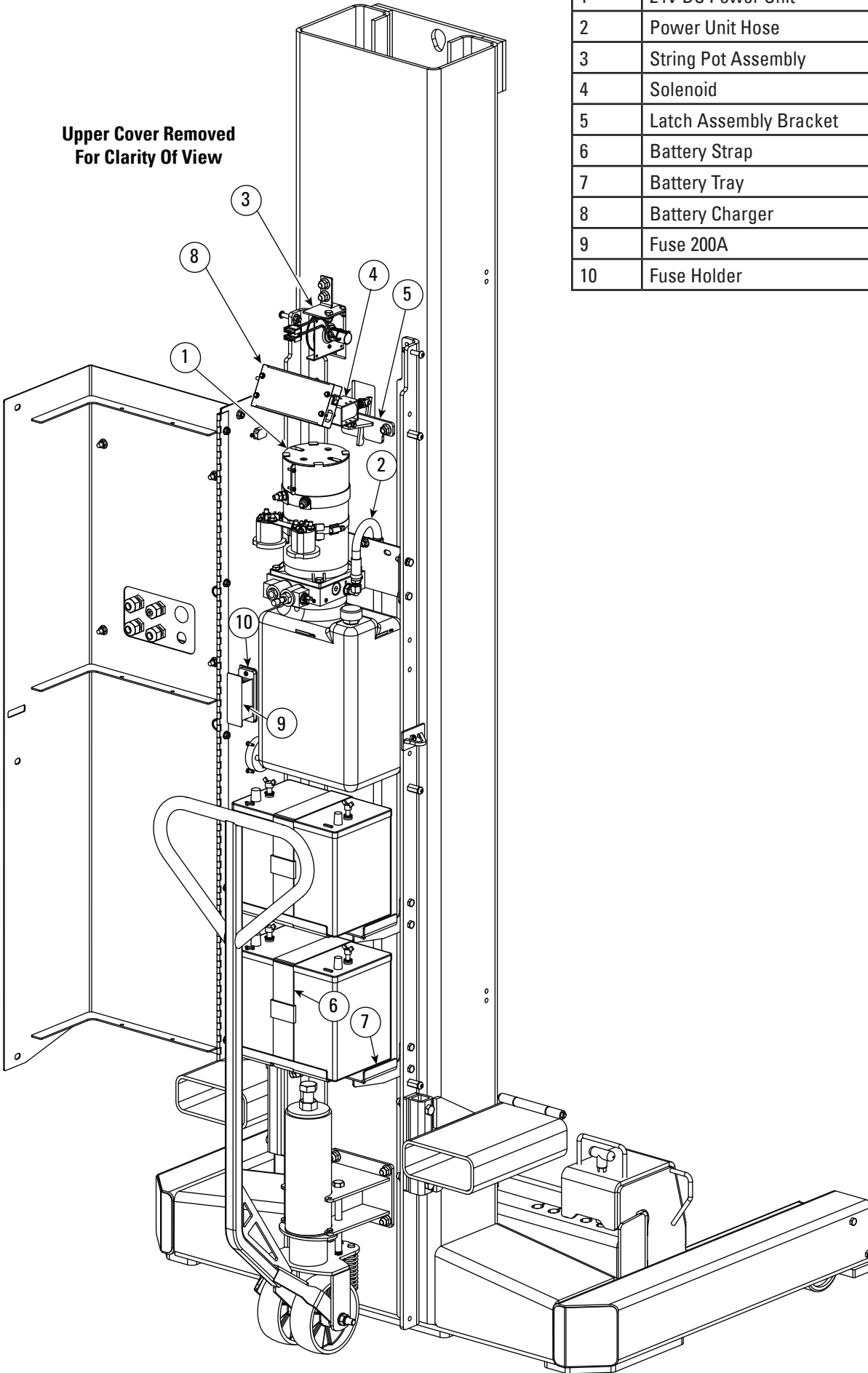
PDL3576F Power Unit



PDL3576F Power Unit

Item	Description	Part No.
1	DC Motor 24VDC 3.0KW	DM12-2BXV-3BA1R
2	Hose Clamps	d120/JB/T 8870
3	Coupling	YBZ-F2.1D4H1/1-03
4	Check Valve	ILCV2000-G14
5	Plug	YBZ-PG1/4" A
6	Bonded Washer	14A/JB982-77
7	Plastic Plug	POP-SAE6
8	Plug	YBZ1-PG04A
9	O-ring	9x1.8/GB/T 3452
10	Flow Control Valve	BL-I2.5
11	Flow Control Valve	BL-I1.5
12	Solenoid Valve	LSV-08-2NCP-J-2H
13	Solenoid Valve	LSV-08-2NCP-2H
14	Breather	YBZ-BT-M30x2
15	Hex Socket Cap Screw	M5x18/GB/T 70.1
16	Washer	5/GB/T 95
17	Plastic Tank	SLYX-10L-L-R
18	Suction Filter	YBZ-E2D311/1-10
19	Return Tube	YBZ-G3J4H43/1-03
20	Suction Tube	YBZ-F2.11/1-03
21	Hex Socket Cap Screw	M8x80/GB/T 70.1
22	Spring Washer	8/GB/T 859
23	Washer	8/GB/T 95
24	Gear Pump	CBKA-F2.7F
25	O-ring	109x5.3/GB/T 3452.1
26	Hex Socket Cap Screw	NLJLD-M6x50
27	Plug	YBZ1-PG02A
28	O-ring	6.5x1.5/EKM
29	System Relief Valve	LPSRV2-08-50
30	Endhead	LBZ-T202KK-1
31	Outer Hexagonal Cap Screw	3/8" - 16UNCx15
32	Spring Washer	10/GB/T 859
33	Washer	10/GB/T 95
34	Mouting Bracket	YBZ5-F2.7D2B202/XVQIT1-01
35	DC Contactor	684-24C1-212-17

Upper Cover Removed
For Clarity Of View



Item	Description	Part No.
1	24V DC Power Unit	PDL3576F
2	Power Unit Hose	M130029
3	String Pot Assembly	M130018
4	Solenoid	M130017
5	Latch Assembly Bracket	M120067Y
6	Battery Strap	M130032
7	Battery Tray	M120167Y
8	Battery Charger	FA7958-48
9	Fuse 200A	FA7958-6
10	Fuse Holder	FA7958-50

NOTES

NOTES

Installer: Please return this booklet to literature package, and give to lift owner/operator.

Thank You

Trained Operators and Regular Maintenance Ensures Satisfactory Performance of Your Rotary Lift.

Contact Your Nearest Authorized Rotary Parts Distributor for Genuine Rotary Replacement Parts. See Literature Package for Parts Breakdown.

Rotary World Headquarters

2700 Lanier Drive
Madison, IN 47250, USA
www.rotarylif.com

North America Contact Information

Tech. Support: p 800.445.5438
f 800.578.5438
e userlink@rotarylif.com
Sales: p 800.640.5438
f 800.578.5438
e userlink@rotarylif.com

World Wide Contact Information

World Headquarters/USA: 1.812.273.1622
Canada: 1.905.812.9920
European Headquarters/Germany: +49.771.9233.0
United Kingdom: +44.178.747.7711
Australasia: +60.3.7660.0285
Latin America / Caribbean: +54.3488.431.608
Middle East / Africa: 1.812.273.1622

© Rotary®, Printed in U.S.A., All Rights Reserved. Unless otherwise indicated, ROTARY, DOVER and all other trademarks are property of Dover Corporation and its affiliates.

