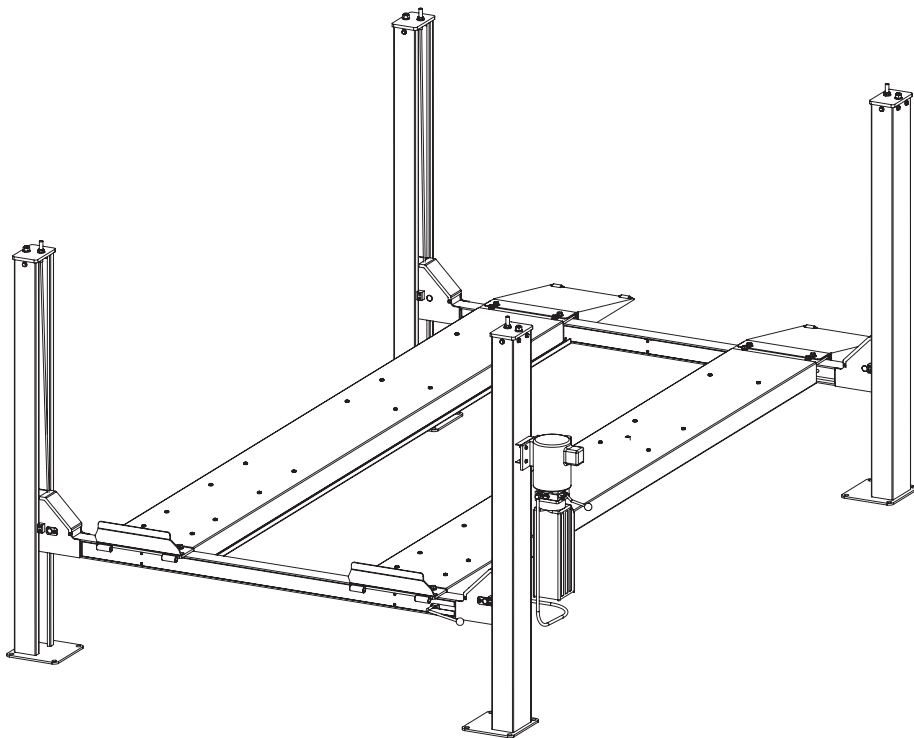




# SM4T

Capacity 4082 kg (9000 lbs)  
2041kg (4500 lbs) per axle

Maximum Wheelbases: 3861mm (152")  
Minimum Wheelbase At Rated Capacity: 2515mm (99")



P  
A  
R  
T  
S  
  
B  
R  
E  
A  
K  
D  
O  
W  
N



**IMPORTANT:** When ordering parts or requesting service always give exact model and jack serial number. Model number is shown on nameplate attached to power unit column.

**OWNERS RECORD**  
Complete information at right and keep in a safe place.

Date Installed \_\_\_\_\_

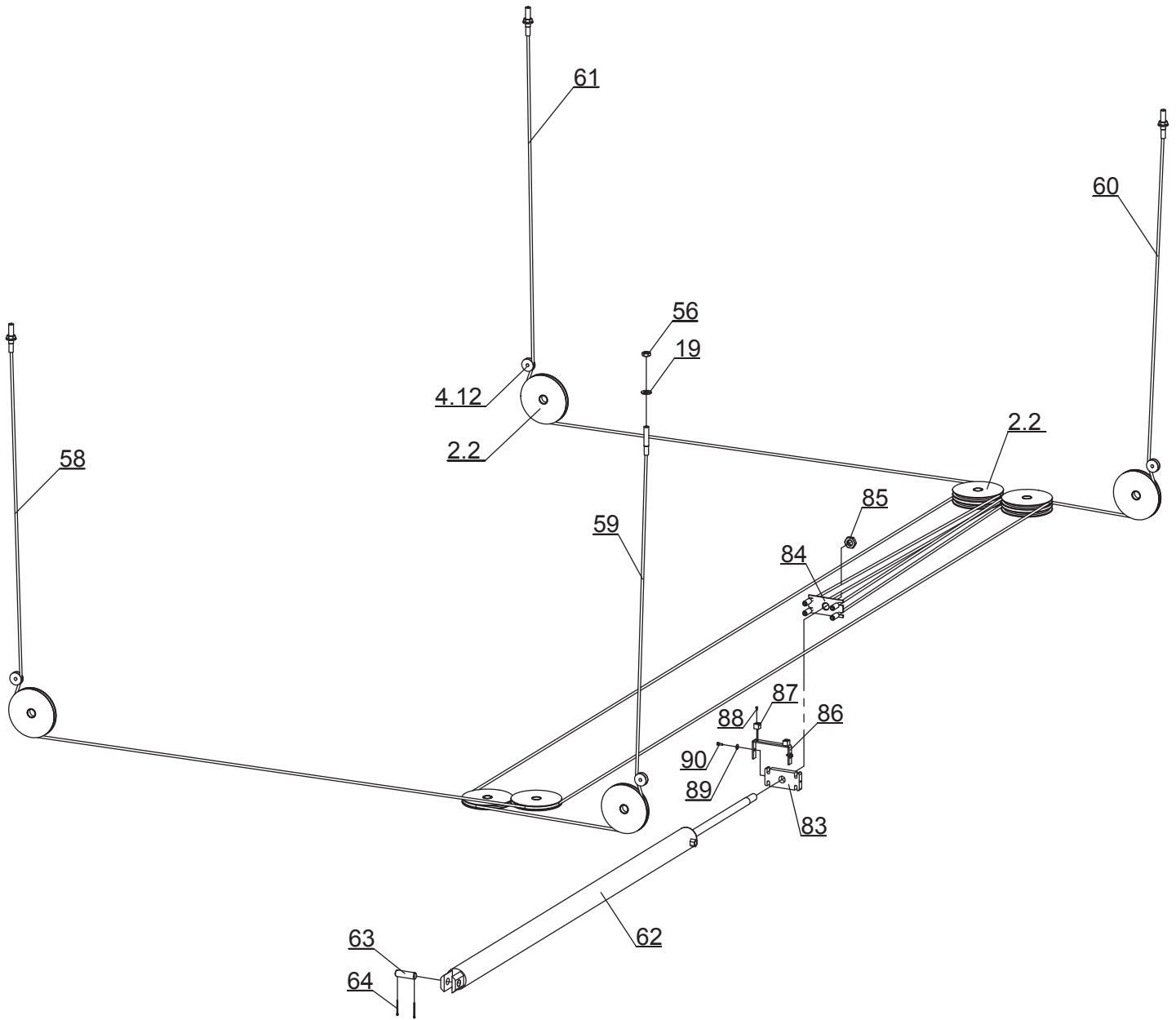
Installed in Bay # \_\_\_\_\_

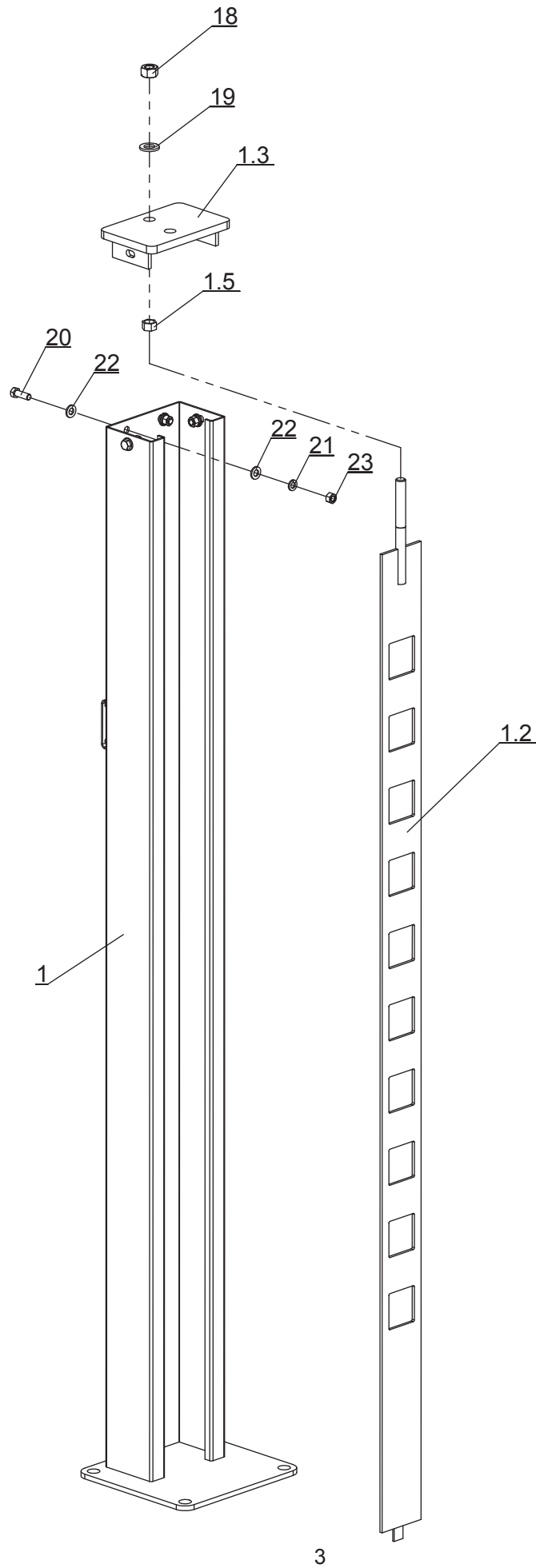
Lift Serial # \_\_\_\_\_

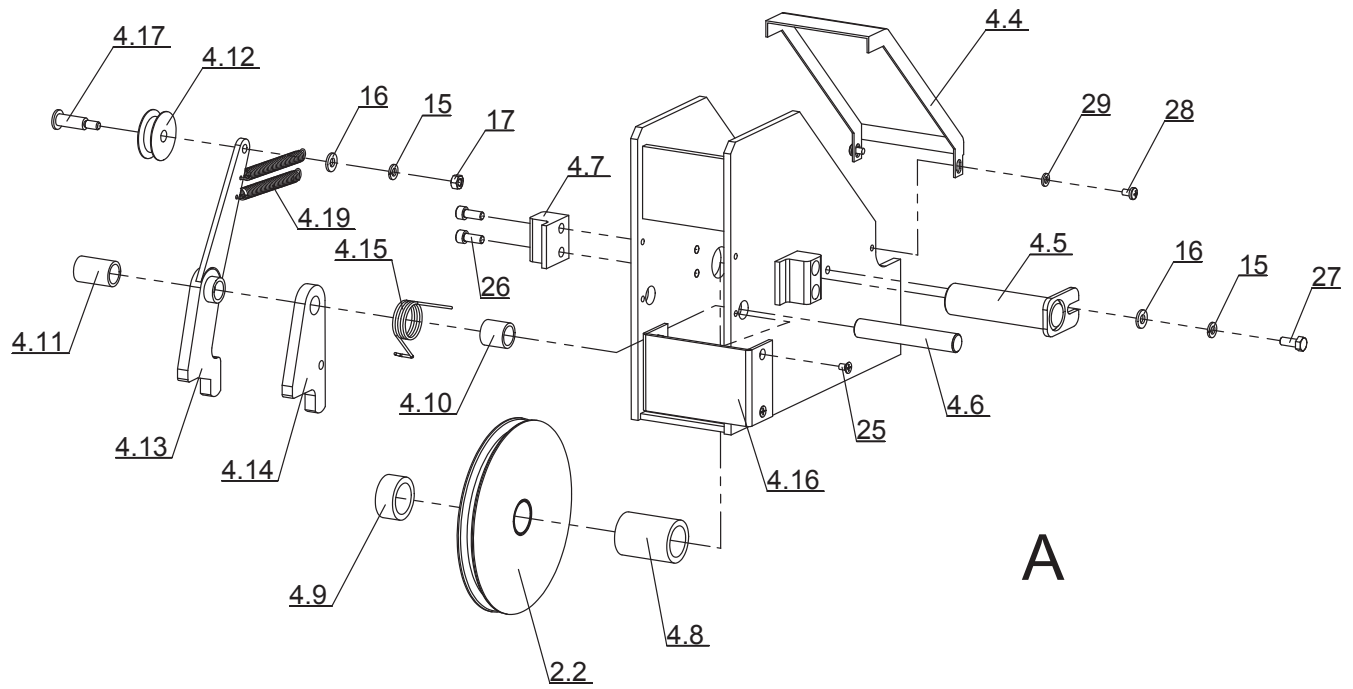
Factory Order # \_\_\_\_\_

Lift Model # \_\_\_\_\_

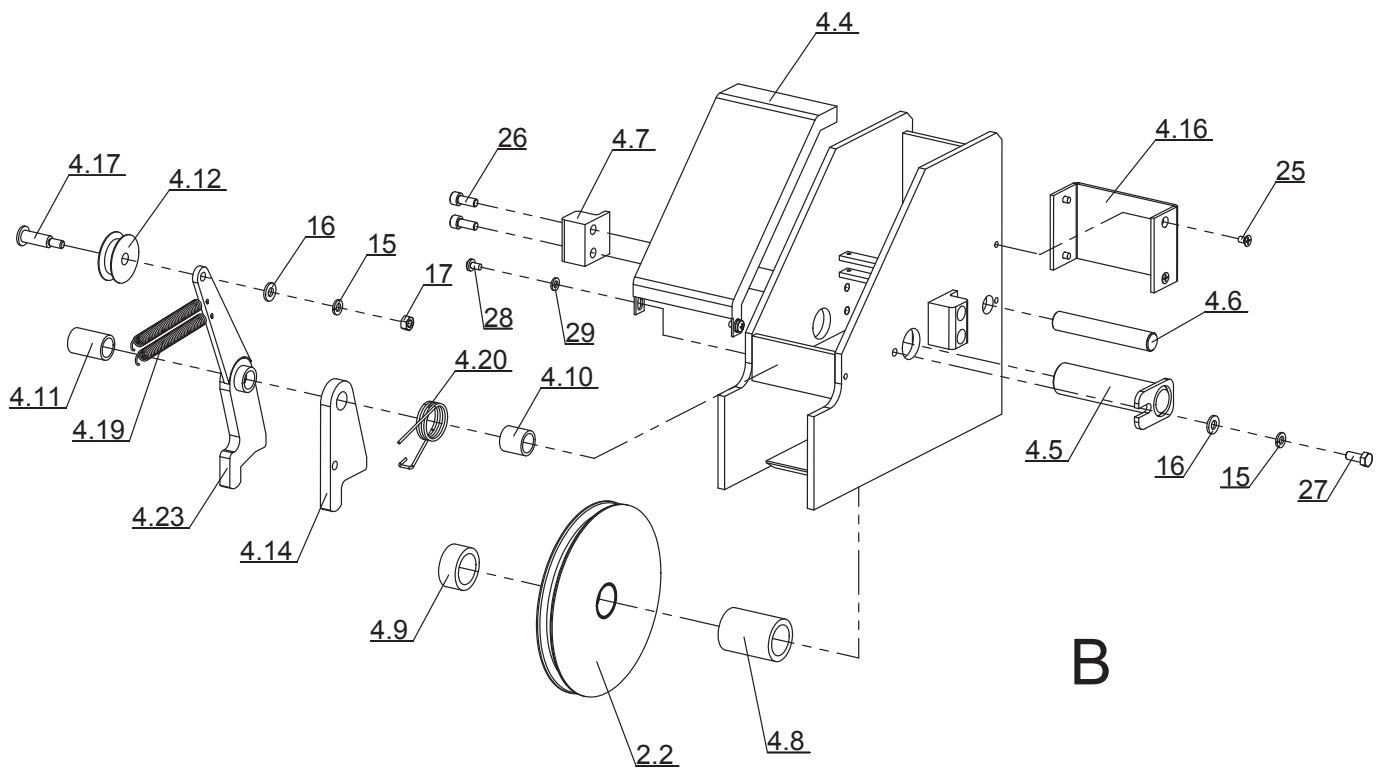
NOTE: For replacement parts -See your nearest Rotary Parts Distributor.



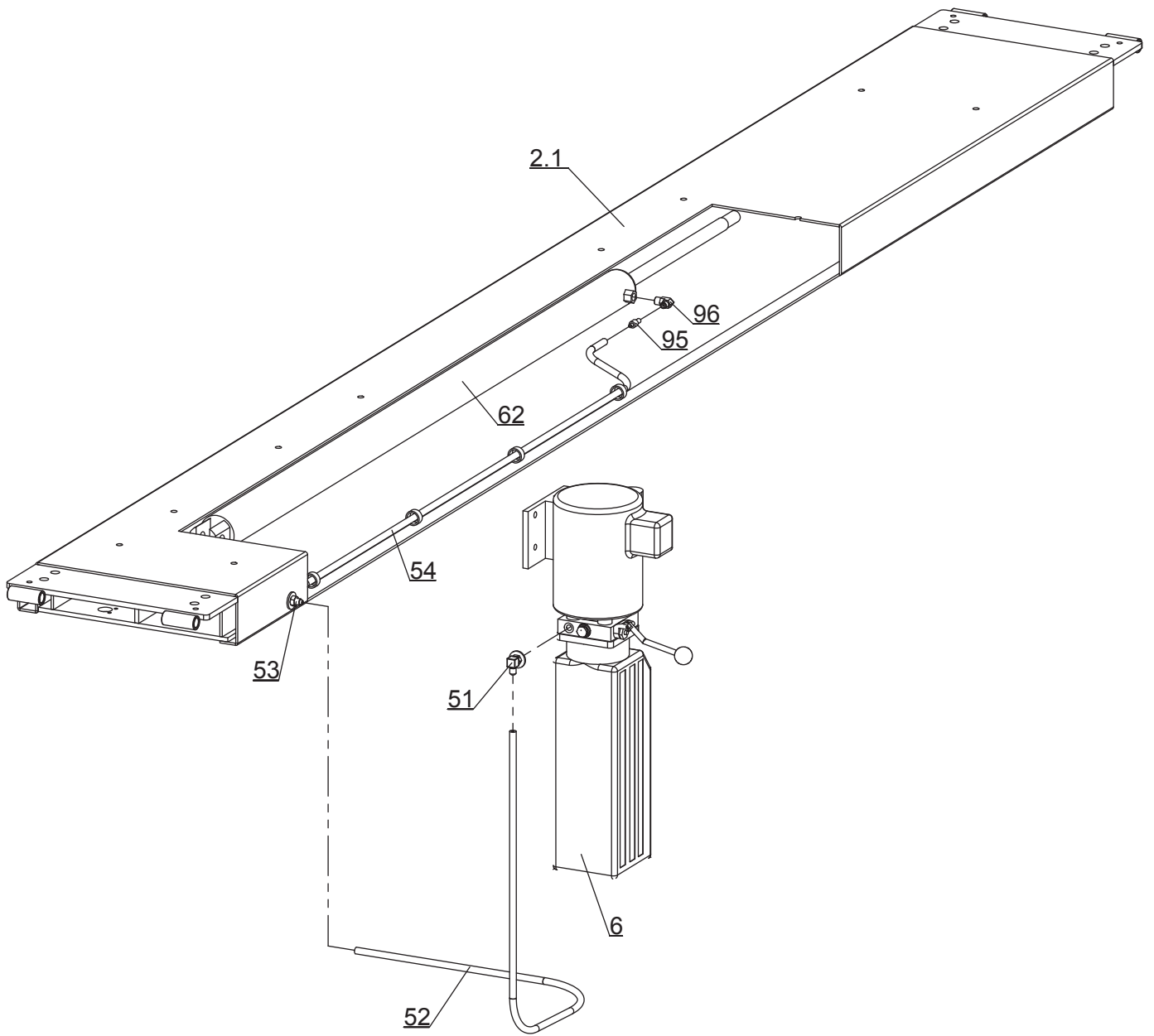




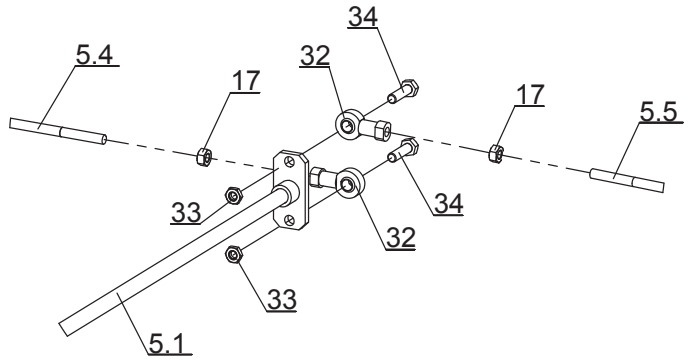
A



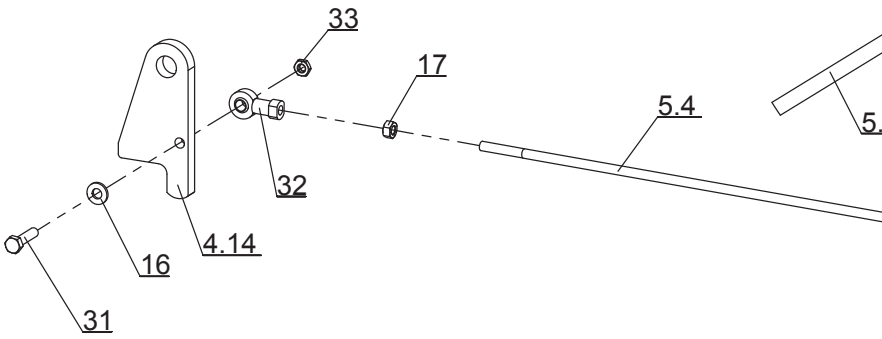
B



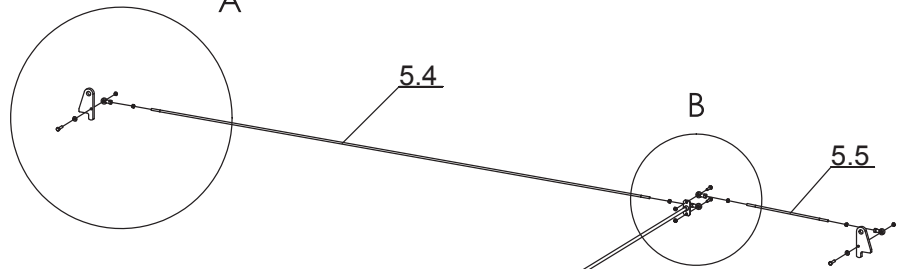
LOCAL VIEW B



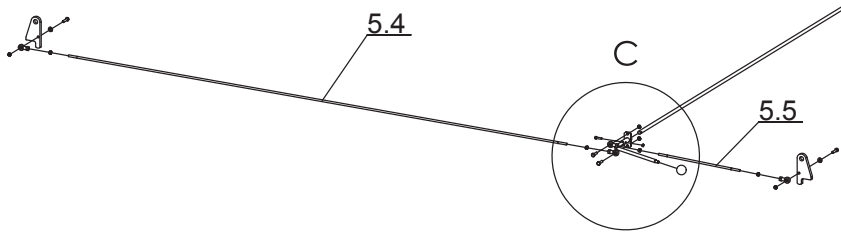
LOCAL VIEW A



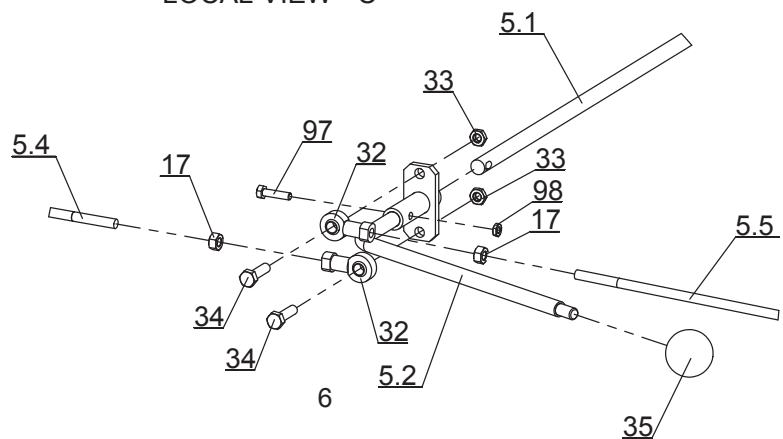
A

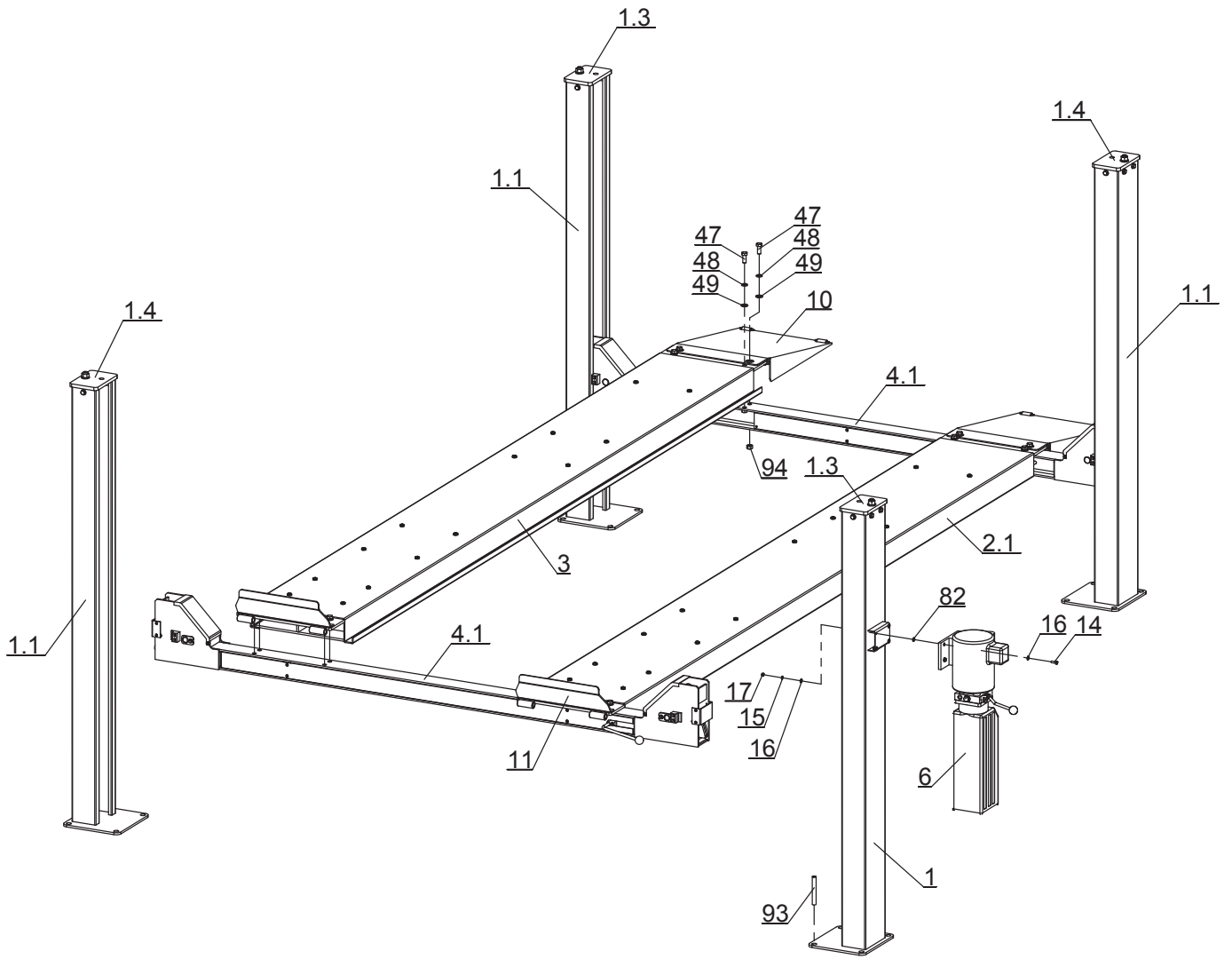


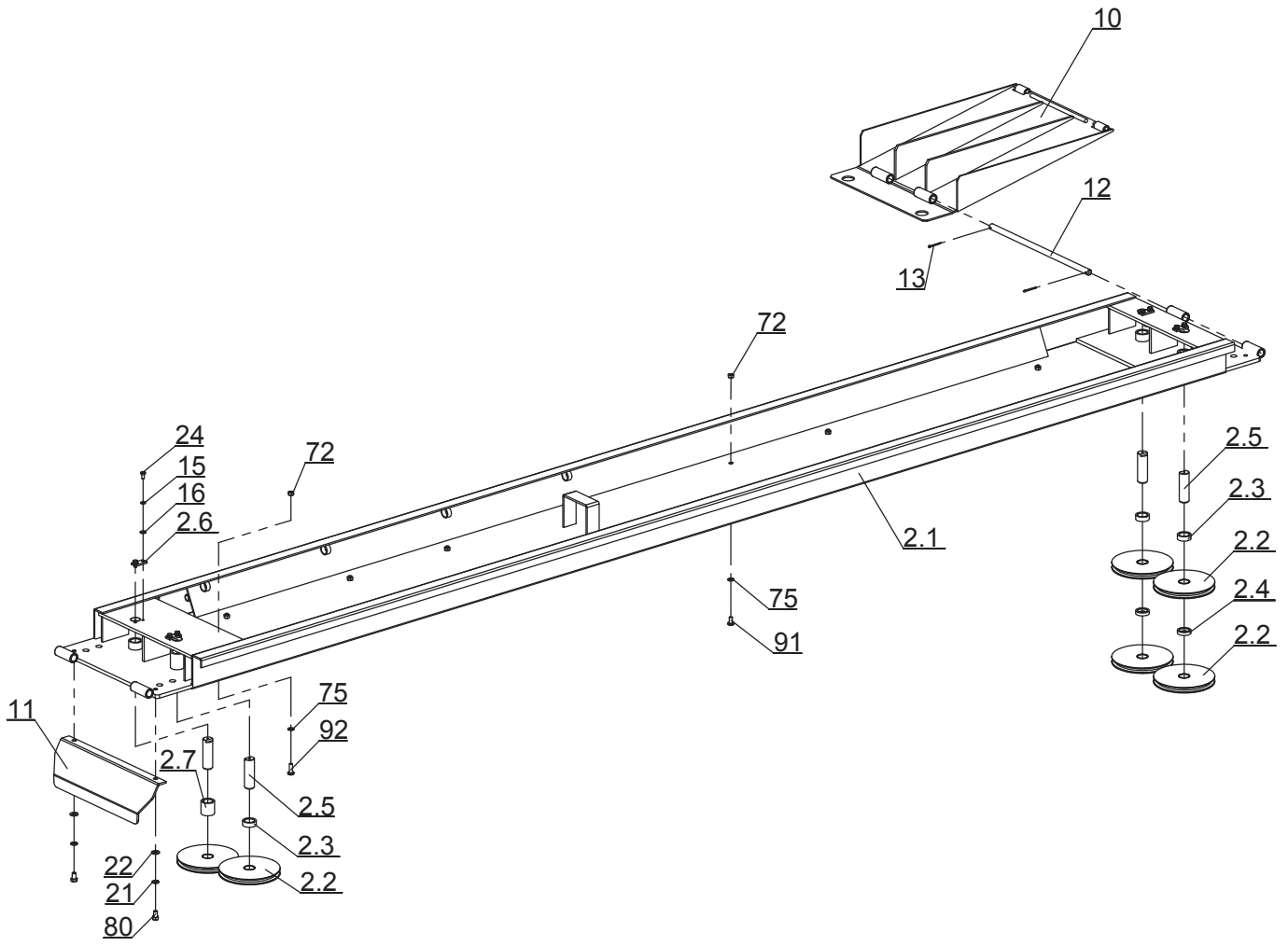
C



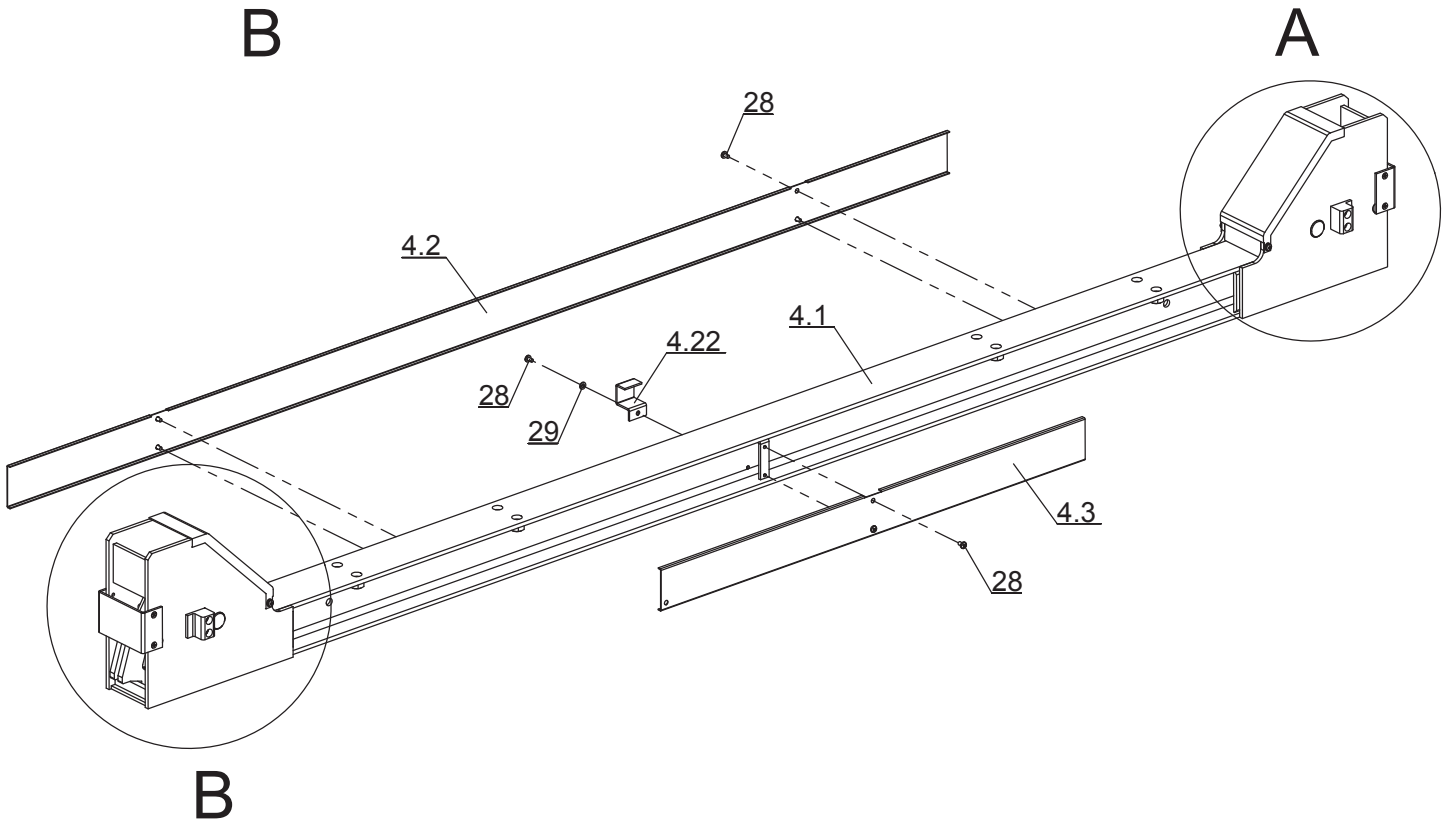
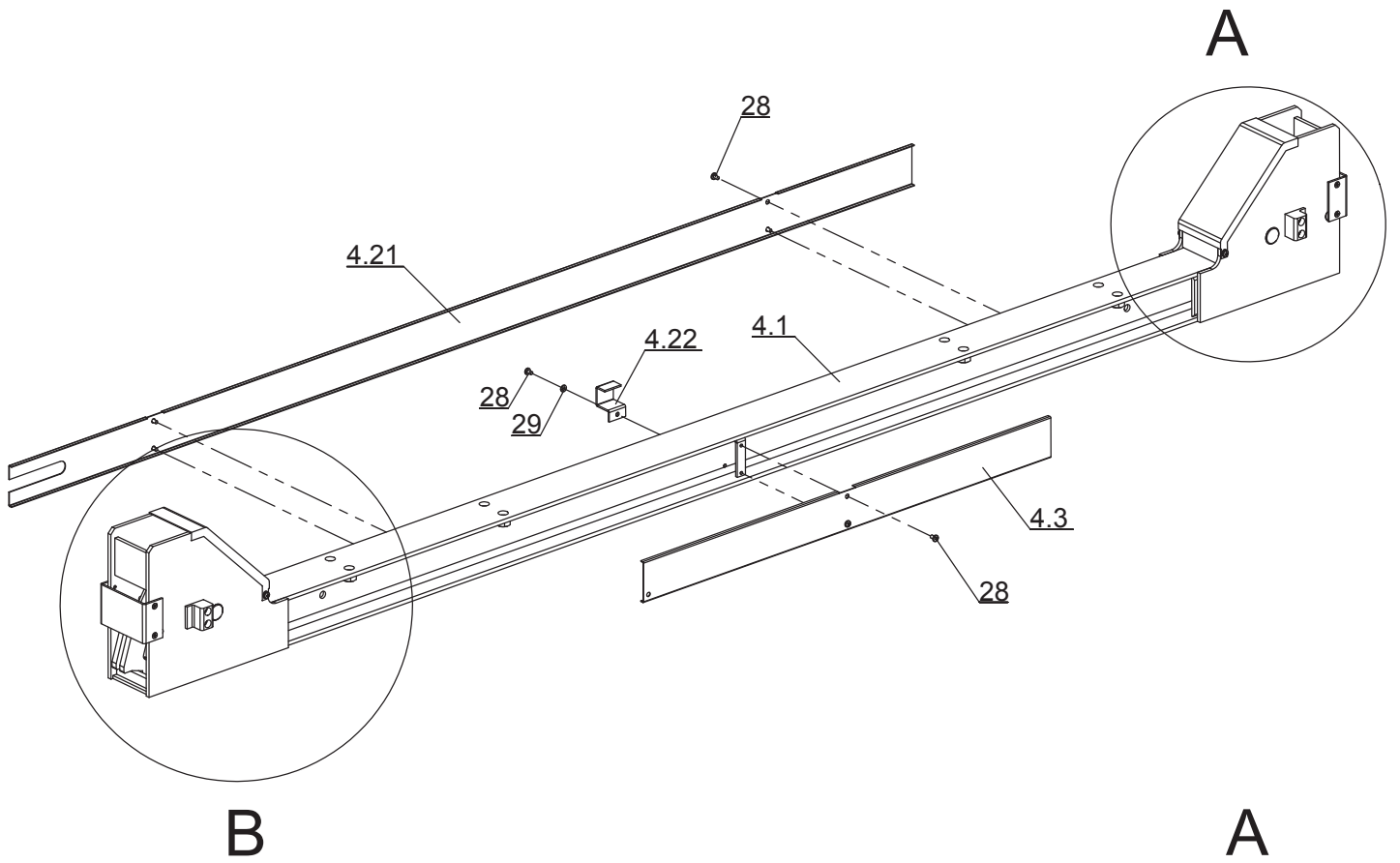
LOCAL VIEW C











Items	Drawing	Description	QTY
1	NH4D-3000	Power Unit Column	1
1.1	NH4D-3100	Column	3
1.2	NH4D-3500HJ	Lock Ladder	4
1.3	NH4D-3200	Column Top	2
1.4	NH4D-3200DC	Column Top	2
1.5	NH4D-3303	Nut	4
2.1	NH4D-2100	Left Side Runway	1
2.2	NH4D-1007	Cable Sheave	10
2.3	NH4D-2004	Bushing A, Spacer	3
2.4	NH4D-2002	Bushing 1, Spacer	2
2.5	NH4D-2001	Shaft	4
2.6	NH4D-2005	Lock Plate	4
2.7	NH4D-2003	Bushing 2, Spacer	1
3	NH4D-2200	Right Side Runway	1
4.1	NH4D-1100	Crossbeam	2
4.2	NH4D-1145	Cover Plate A, Outside	1
4.3	NH4D-1142	Cover Plate, inside	2
4.4	NH4D-1001	Safety Latch Cover, Crossbeam	4
4.5	NH4D-1008	Shaft, Cable Sheave	4
4.6	NH4D-1009	Shaft, Safety Latch	4
4.7	NH4D-1040	Nylon Position Block	8
4.8	NH4D-1013	Bushing B, Spacer	4
4.9	NH4D-1012	Bushing A, Spacer	4
4.10	NH4D-1015	Bushing D, Spacer	4
4.11	NH4D-1014	Bushing C, Spacer	4
4.12	NH4D-1005	Small Cable Sheave	4
4.13	NH4D-1002	Safety Hook	2
4.14	NH4D-1016	Safety Latch	4
4.15	NH4D-1004	Spring, Safety Latch	2
4.16	NH4D-1030	Lock Ladder Retainer	4
4.17	NH4D-1006	Shaft, Small Cable Sheave	4
4.19	NH4D-1011	Spring	8
4.20	NH4D-1004DC	Spring, Safety Latch	2
4.21	NH4D-1146	Cover Plate B, Outside	1
4.22	NH4D-4006	Hook	2
4.23	NH4D-1002DC	Safety Hook	2
5.1	NH4D-4001	Safety Release Handle A	1
5.2	NH4D-4002	Safety Release Handle B	1
5.4	NH4D-4004	Connecting Rod A	2
5.5	NH4D-4005	Connecting Rod B	2
6	P3534	Power Unit 1Ø 60 Hz 208/230V	1
	P3522	Power Unit 1Ø 50 Hz 200V	1
	P3523	Power Unit 3Ø 50/60 Hz 208/230/460V	1
10	NH4D-5000	Ramp Weld	2

11	H4P-4100	Wheel Stopper	2
12	NH4D-5200	Shaft, Ramp Pin	2
13	B52-4×40	Cotter Pin Ø4×40	4
14	B10-8×25	Hex Head Bolt M8×25	4
15	B40-8	Lock Washer Ø8	20
16	B41-8	Flat Washer Ø8	28
17	B30-8	Nut M8	16
18	B30-20	Nut M20	4
19	B41-20	Flat Washer Ø20	8
20	B10-12×35	Hex Head Bolt M12×35	16
21	B40-12	Lock Washer Ø12	20
22	B41-12	Flat Washer Ø12	36
23	B30-12	Nut M12	16
24	B10-8×16	Hex Head Bolt M8×16	8
25	B24-6×10	Crosshead Screw M6×10, Sinking Head	16
26	B20-8×20	Socket Head Screw M8×20	16
27	B10-8×20	Hex Head Bolt M8×20	4
28	B23-6×10	Crosshead Screw M6×10, Discal Head	22
29	B41-6	Flat Washer Ø6	10
31	B10-8×35	Hex Head Bolt M8×35	4
32	B72-8	Swivel Joint M8	8
33	B33-8	Nylon Lock Nut M8	8
34	B10-8×30	Hex Head Bolt M8×30	4
35	B84-35	Plastic Knob Ø35×M10	1
47	B11-16×40	Hex Head Bolt M16×40, Grade 8.8	16
48	B40-16	Lock Washer Ø16	16
49	B41-16	Flat Washer Ø16	16
51	30400-9053YZ	Fitting, Right Angle	1
52	H4D-Y002 (1WB-05)	Hydraulic Hose	1
53	H4D-Y003	Bulkhead Fitting, Right Angle	1
54	H4P-6000 (1WB-11)	Hydraulic Hose	1
56	B33-3/4-16	Nylon Lock Nut 3/4"-16	4
58	NH4D-5300-2	Cable (Length=9239)	1
59	NH4D-5300-4	Cable (Length=7731)	1
60	NH4D-5300-3	Cable (Length=3025)	1
61	NH4D-5300-1	Cable (Length=4533)	1
62	YG30-9100	Hydraulic Cylinder	1
63	NH4D-2020	Cylinder Pin	1
64	B52-4×50	Cotter Pin Ø4×50	2
72	B30-10	Nut M10	28
75	B41-10	Flat Washer Ø10	28
80	B10-12×20	Hex Head Bolt M12×20	4
82	30400-1999	Shock Absorption Washer	4
83	NH4D-2021	Cylinder Connecting Plate	1
84	NH4D-2022	Cable Lock Plate	1

85	B33-27×2	Nylon Lock Nut M27×2	1
86	NH4D-2030A	Cable Lock Plate Bracket	1
87	NH4D-2030B	Antifriction Block	2
88	B20-4×8	Socket Head Screw M4×8	4
89	B42-6	Big Flat Washer Ø6	2
90	B20-6×16	Socket Head Screw M6×16	2
91	B23-10×20	Crosshead Screw M10×20, Discal Head	24
92	B23-10×30	Crosshead Screw M10×30, Discal Head	4
93	B14-3/4×140	Anchor Bolt 3/4"×140	16
94	B31-16	Nut M16, Grade 8.8	8
95	SH4D-9200	Throttle	1
96	LR-9801-11	Fitting, Right Angle	1
97	B10-6×25	Hex Head Bolt M6×25	1
98	B33-6	Nylon Lock Nut M6	1

#### Rotary World Headquarters

2700 Lanier Drive  
Madison, IN 47250, USA  
www.rotarylif.com

#### North America Contact Information

Tech. Support: p 800.445.5438  
f 800.578.5438  
e userlink@rotarylif.com  
Sales: p 800.640.5438  
f 800.578.5438  
e userlink@rotarylif.com

#### World Wide Contact Information

World Headquarters/USA: 1.812.273.1622  
Canada: 1.905.812.9920  
European Headquarters/Germany: +49.771.9233.0  
United Kingdom: +44.178.747.7711  
Australasia: +60.3.7660.0285  
Latin America / Caribbean: +54.3488.431.608  
Middle East / Northern Africa: +49.771.9233.0



A DOVER COMPANY

