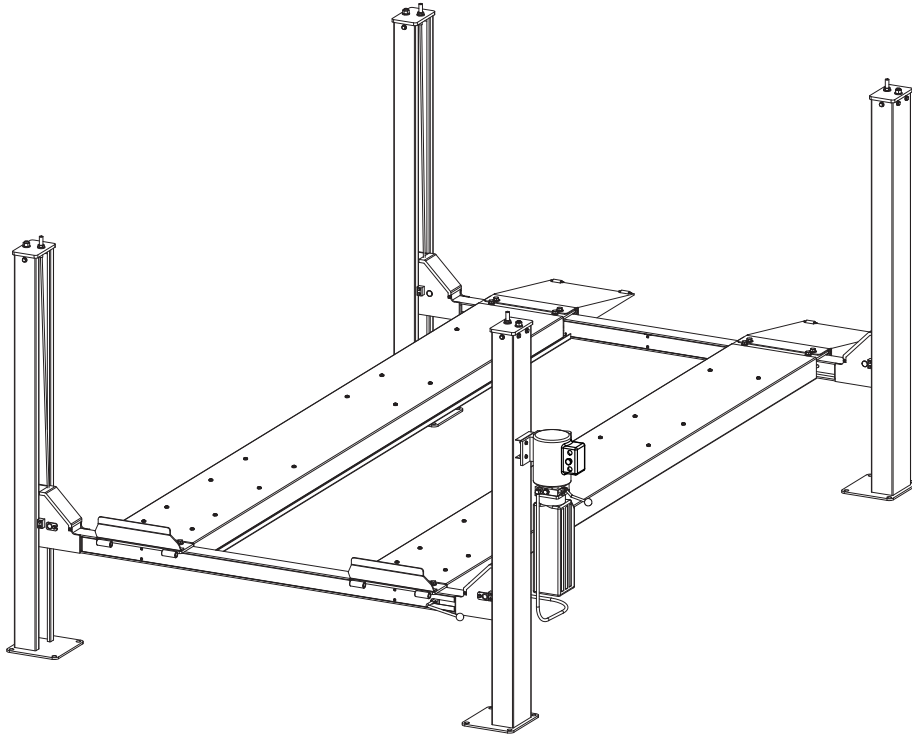


RSM4T

Capacity 4082 kg (9000 lbs)
2041kg (4500 lbs) per axle

Maximum Wheelbases: 3861mm (152")
Minimum Wheelbase At Rated Capacity: 2515mm (99")



P
A
R
T
S

B
R
E
A
K
D
O
W
N

IMPORTANT: When ordering parts or requesting service always give exact model and jack serial number. Model number is shown on nameplate attached to power unit column.

OWNERS RECORD
Complete information
at right and keep in
a safe place.

Date Installed _____

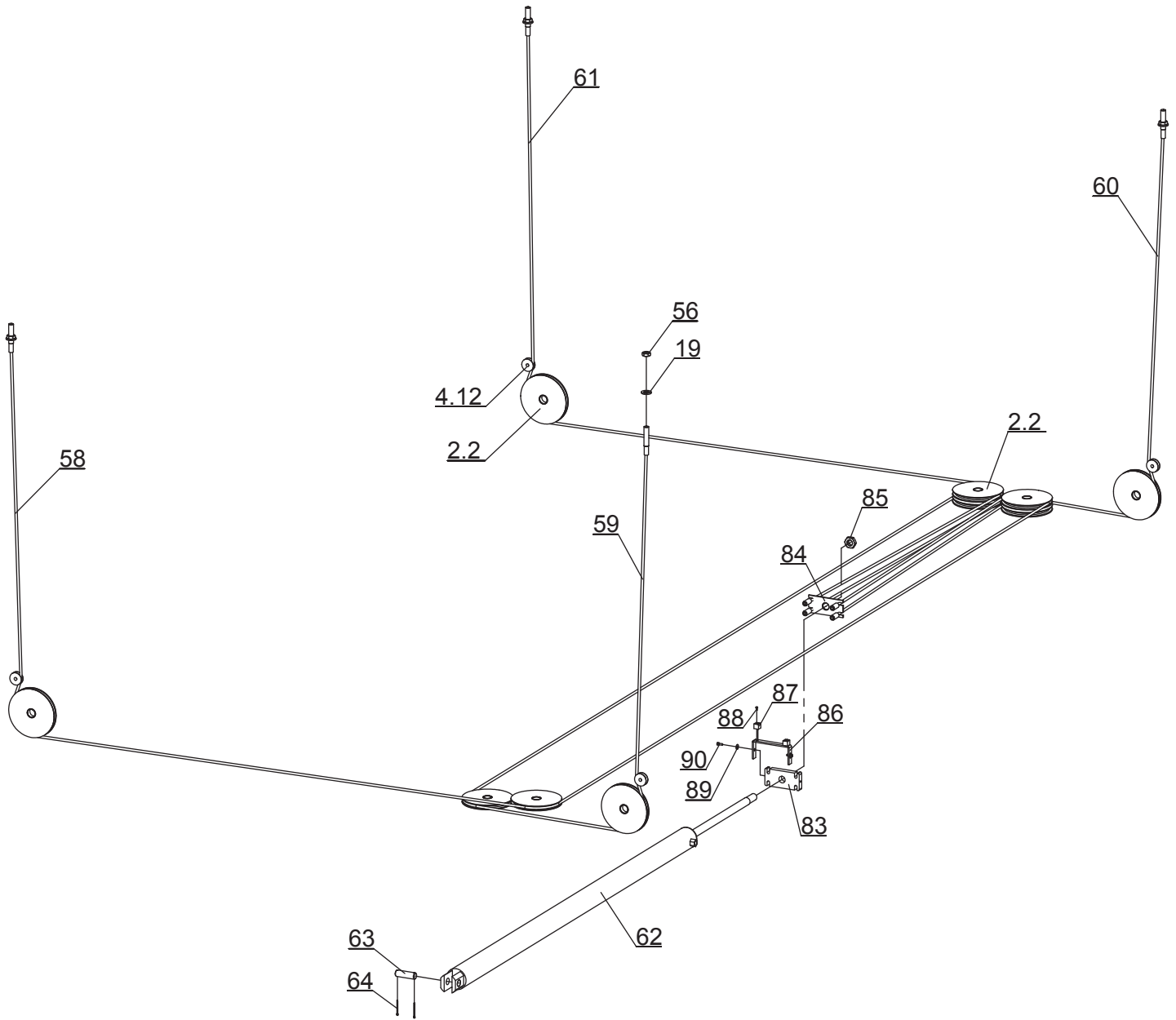
Installed in Bay # _____

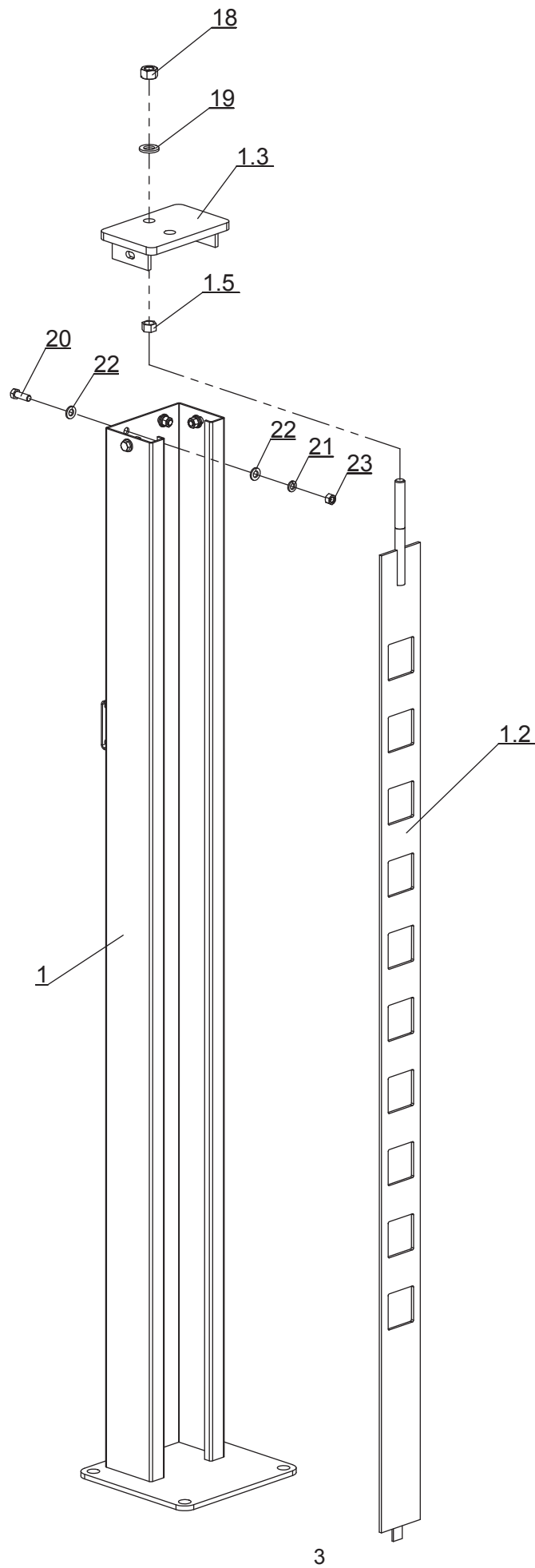
Lift Serial # _____

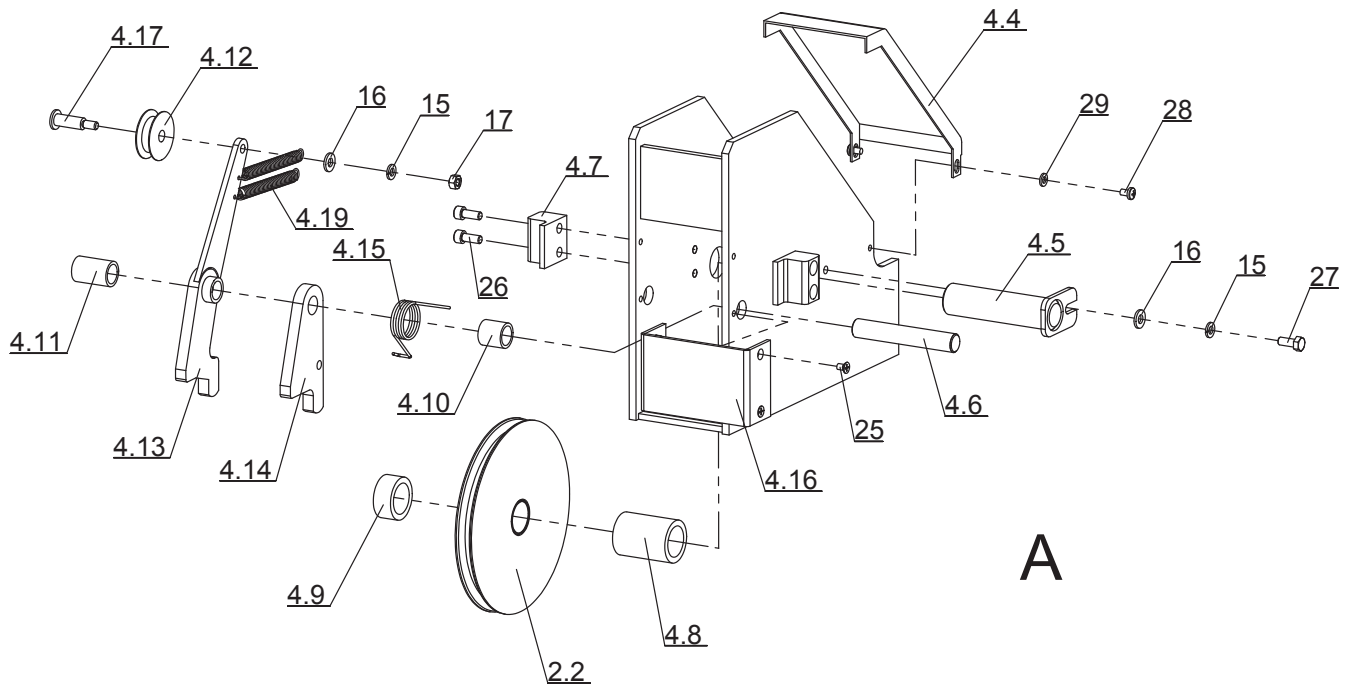
Factory Order # _____

Lift Model # _____

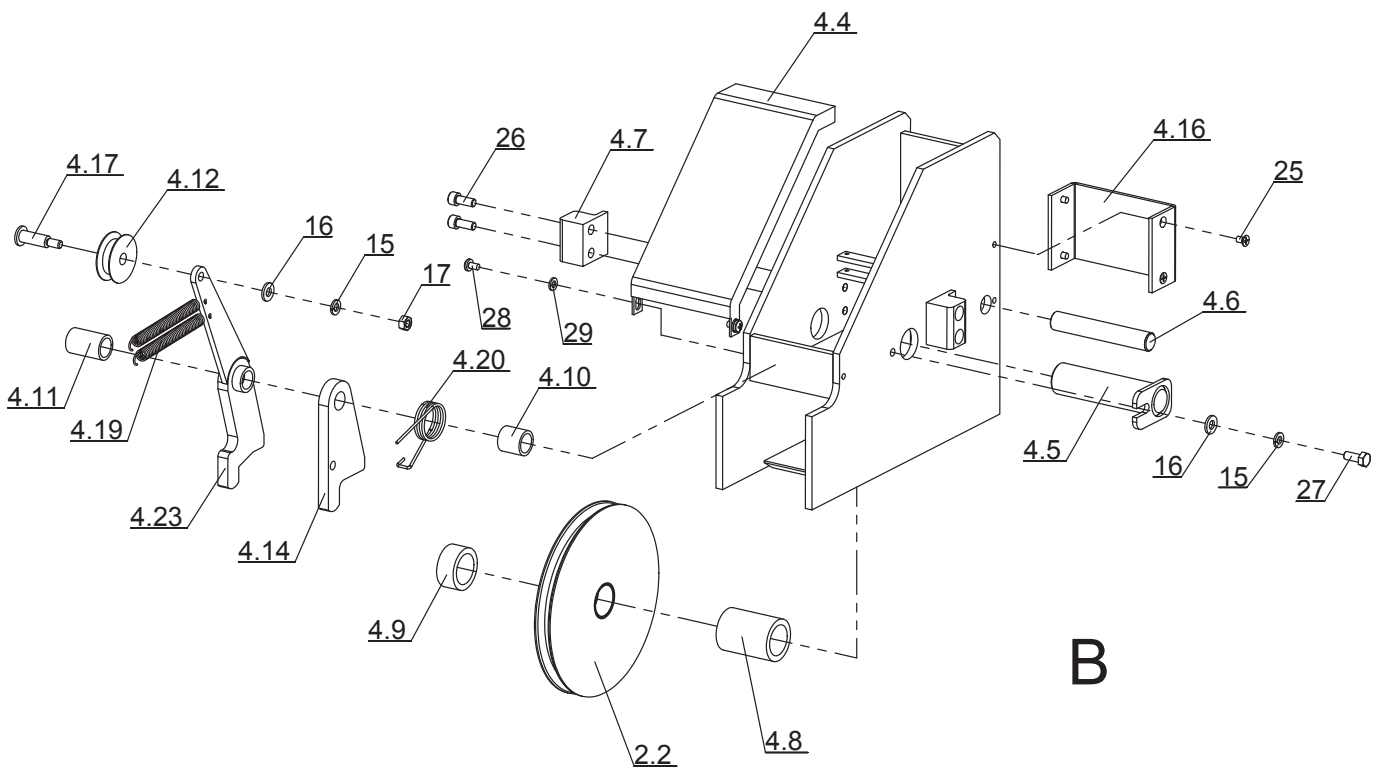
NOTE: For replacement parts -See your nearest Parts Distributor.



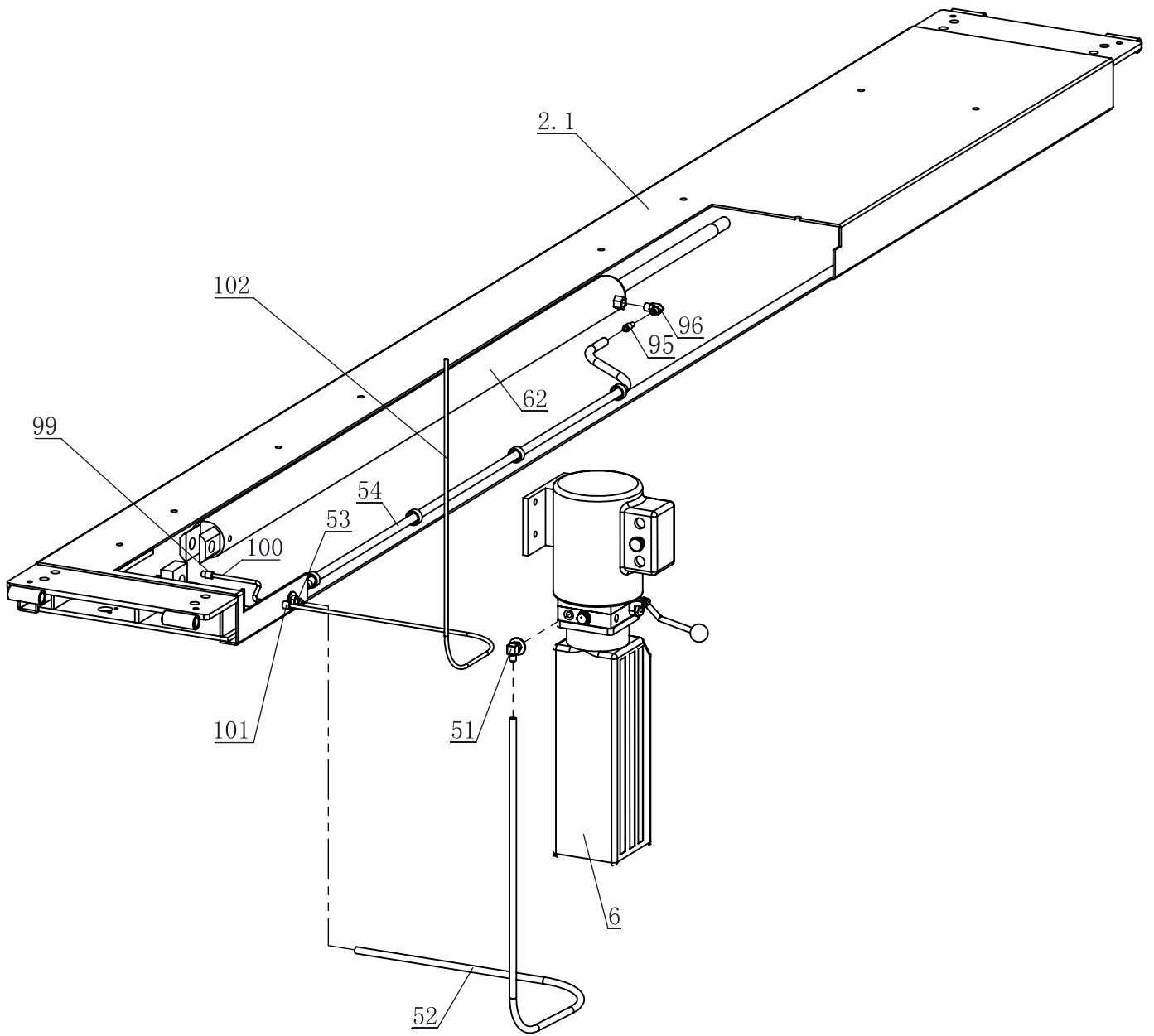




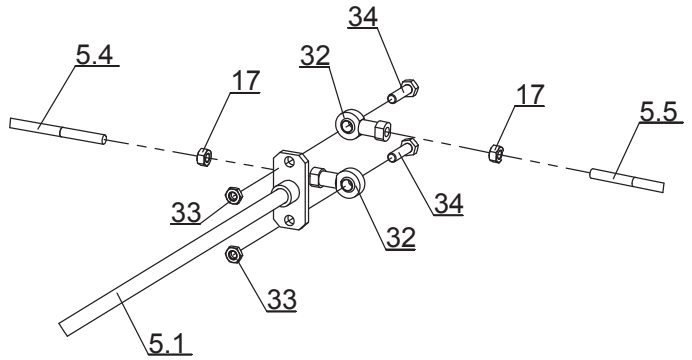
A



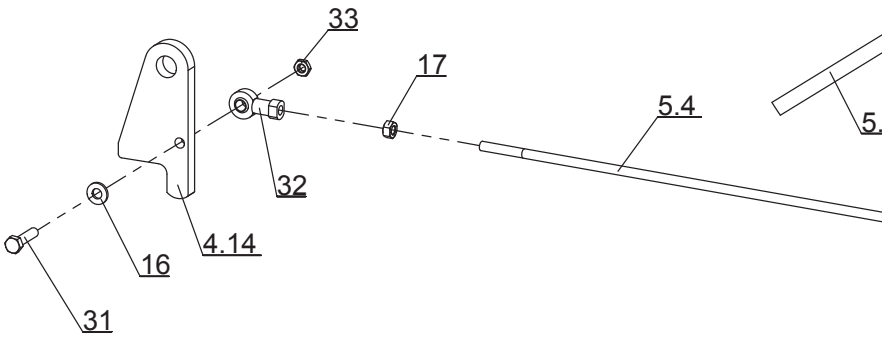
B



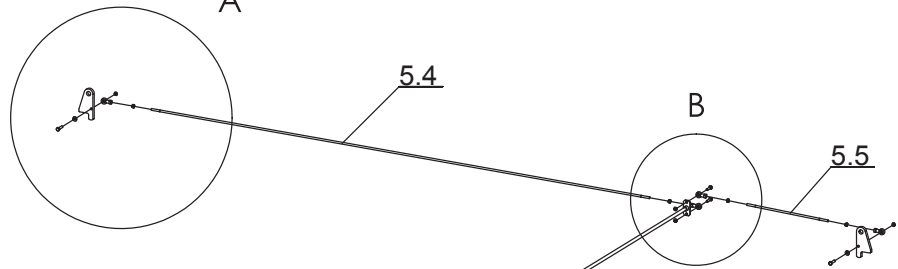
LOCAL VIEW B



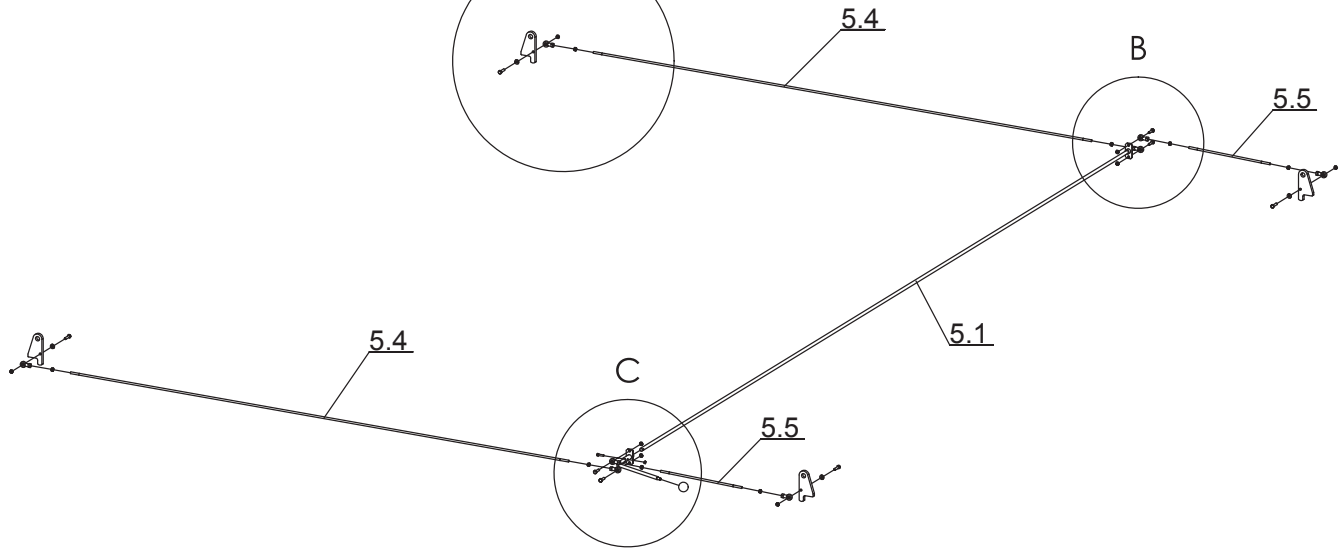
LOCAL VIEW A



A

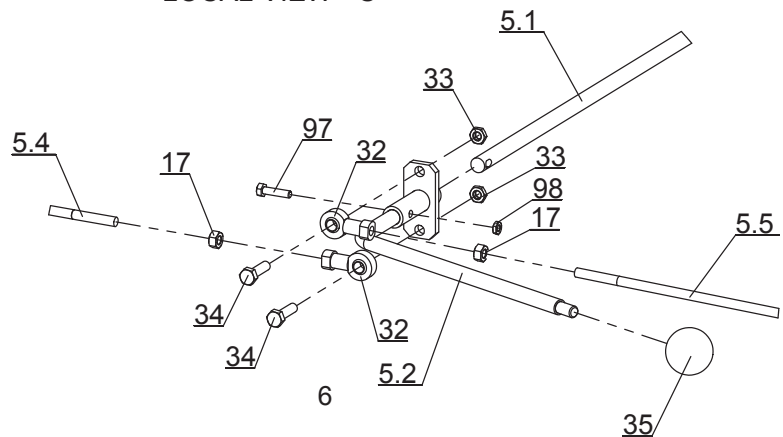


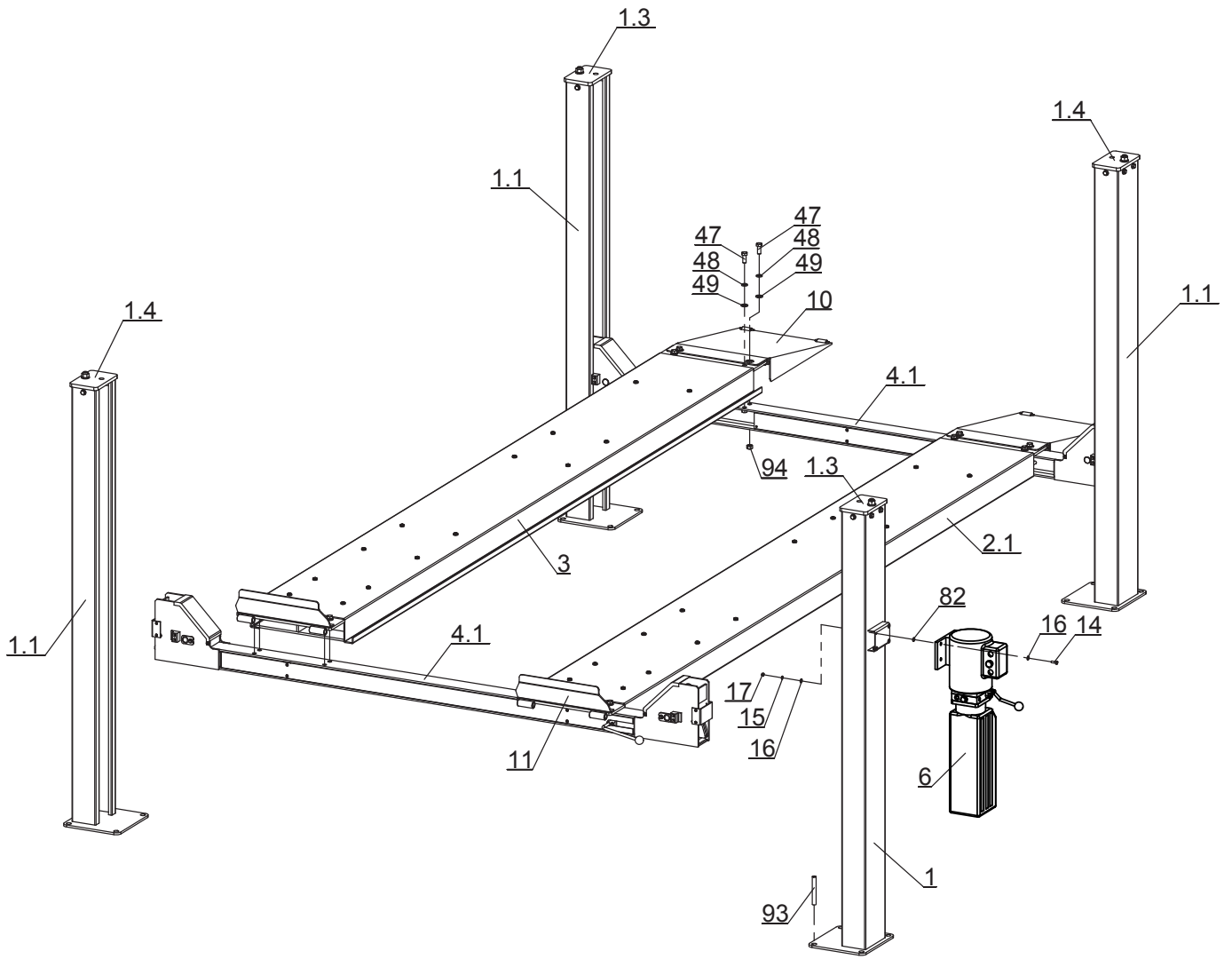
B

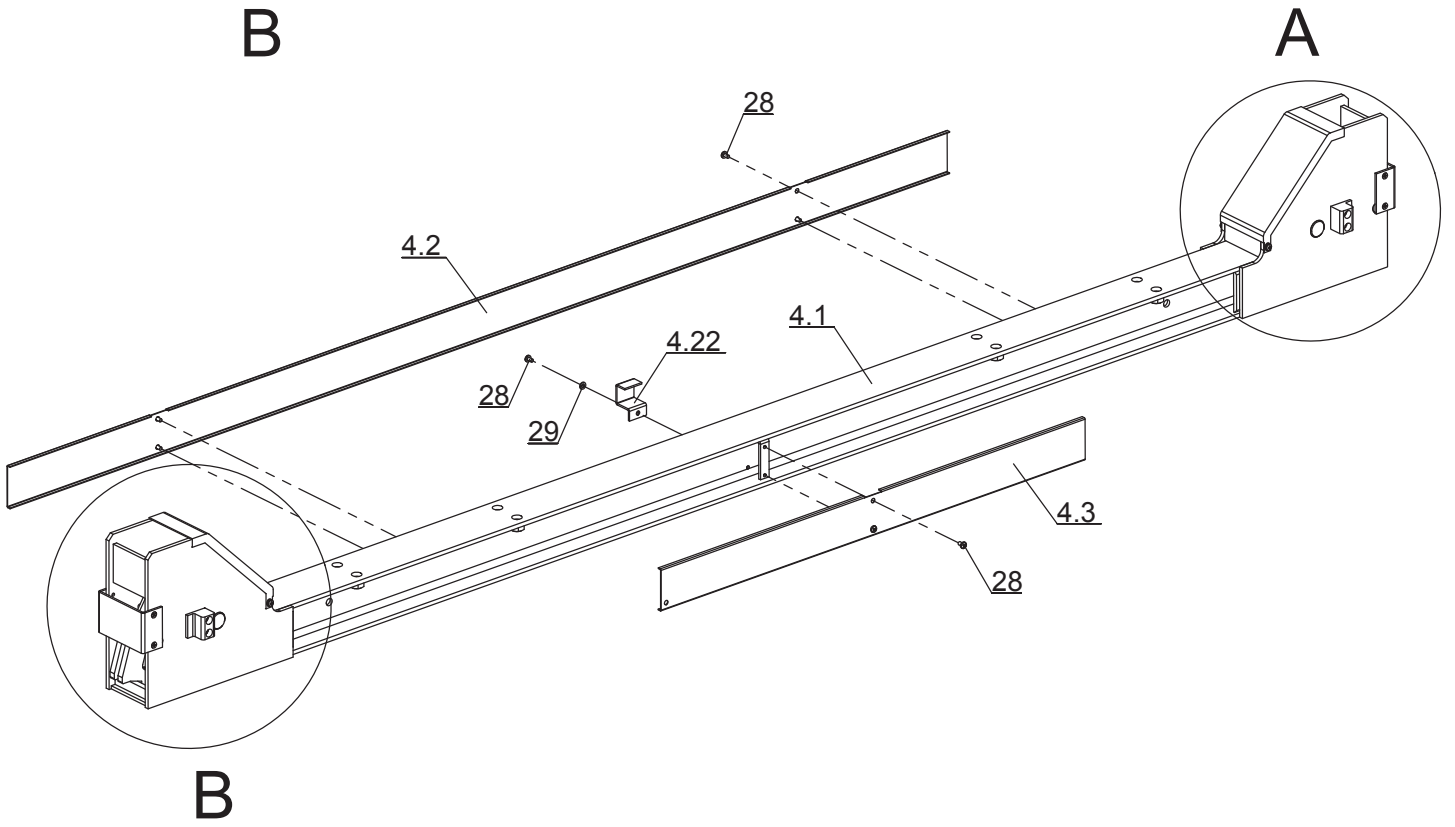
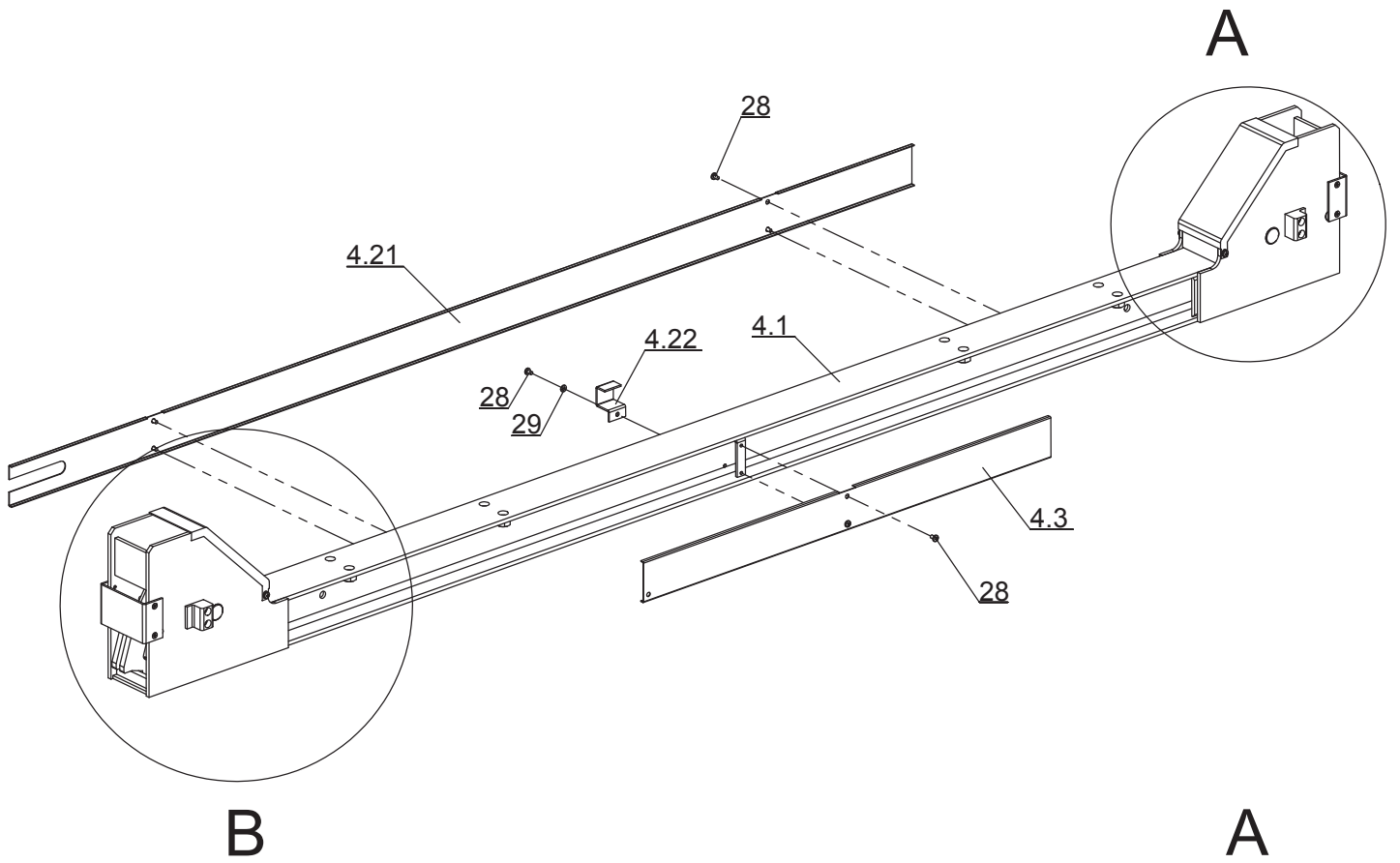


C

LOCAL VIEW C







Items	Drawing	Description	QTY
1	NH4D-3000	Power Unit Column	1
1.1	NH4D-3100	Column	3
1.2	NH4D-3500HJ	Lock Ladder	4
1.3	NH4D-3200	Column Top	2
1.4	NH4D-3200DC	Column Top	2
1.5	NH4D-3303	Nut	4
2.1	NH4D-2100	Left Side Runway	1
2.2	NH4D-1007	Cable Sheave	10
2.3	NH4D-2004	Bushing A, Spacer	3
2.4	NH4D-2002	Bushing 1, Spacer	2
2.5	NH4D-2001	Shaft	4
2.6	NH4D-2005	Lock Plate	4
2.7	NH4D-2003	Bushing 2, Spacer	1
3	NH4D-2200	Right Side Runway	1
4.1	NH4D-1100	Crossbeam	2
4.2	NH4D-1145	Cover Plate A, Outside	1
4.3	NH4D-1142	Cover Plate, inside	2
4.4	NH4D-1001	Safety Latch Cover, Crossbeam	4
4.5	NH4D-1008	Shaft, Cable Sheave	4
4.6	NH4D-1009	Shaft, Safety Latch	4
4.7	NH4D-1040	Nylon Position Block	8
4.8	NH4D-1013	Bushing B, Spacer	4
4.9	NH4D-1012	Bushing A, Spacer	4
4.10	NH4D-1015	Bushing D, Spacer	4
4.11	NH4D-1014	Bushing C, Spacer	4
4.12	NH4D-1005	Small Cable Sheave	4
4.13	NH4D-1002	Safety Hook	2
4.14	NH4D-1016	Safety Latch	4
4.15	NH4D-1004	Spring, Safety Latch	2
4.16	NH4D-1030	Lock Ladder Retainer	4
4.17	NH4D-1006	Shaft, Small Cable Sheave	4
4.19	NH4D-1011	Spring	8
4.20	NH4D-1004DC	Spring, Safety Latch	2
4.21	NH4D-1146	Cover Plate B, Outside	1
4.22	NH4D-4006	Hook	2
4.23	NH4D-1002DC	Safety Hook	2
5.1	NH4D-4001	Safety Release Handle A	1
5.2	NH4D-4002	Safety Release Handle B	1
5.4	NH4D-4004	Connecting Rod A	2
5.5	NH4D-4005	Connecting Rod B	2
6	P3658	Power Unit 1Ø 60 Hz 208/230V	1
	P3657	Power Unit 1Ø 50 Hz 200V	1
	P3659	Power Unit 3Ø 50/60 Hz 208/230/460V	1
10	NH4D-5000	Ramp Weld	2

11	H4P-4100	Wheel Stopper	2
12	NH4D-5200	Shaft, Ramp Pin	2
13	B52-4×40	Cotter Pin Ø4×40	4
14	B10-8×25	Hex Head Bolt M8×25	4
15	B40-8	Lock Washer Ø8	20
16	B41-8	Flat Washer Ø8	28
17	B30-8	Nut M8	16
18	B30-20	Nut M20	4
19	B41-20	Flat Washer Ø20	8
20	B10-12×35	Hex Head Bolt M12×35	16
21	B40-12	Lock Washer Ø12	20
22	B41-12	Flat Washer Ø12	36
23	B30-12	Nut M12	16
24	B10-8×16	Hex Head Bolt M8×16	8
25	B24-6×10	Crosshead Screw M6×10, Sinking Head	16
26	B20-8×20	Socket Head Screw M8×20	16
27	B10-8×20	Hex Head Bolt M8×20	4
28	B23-6×10	Crosshead Screw M6×10, Discal Head	22
29	B41-6	Flat Washer Ø6	10
31	B10-8×35	Hex Head Bolt M8×35	4
32	B72-8	Swivel Joint M8	8
33	B33-8	Nylon Lock Nut M8	8
34	B10-8×30	Hex Head Bolt M8×30	4
35	B84-35	Plastic Knob Ø35×M10	1
47	B11-16×40	Hex Head Bolt M16×40, Grade 8.8	16
48	B40-16	Lock Washer Ø16	16
49	B41-16	Flat Washer Ø16	16
51	30400-9053YZ	Fitting, Right Angle	1
52	H4D-Y002 (1WB-05)	Hydraulic Hose	1
53	H4D-Y003	Bulkhead Fitting, Right Angle	1
54	H4P-6000 (1WB-11)	Hydraulic Hose	1
56	B33-3/4-16	Nylon Lock Nut 3/4"-16	4
58	NH4D-5300-2	Cable (Length=9239)	1
59	NH4D-5300-4	Cable (Length=7731)	1
60	NH4D-5300-3	Cable (Length=3025)	1
61	NH4D-5300-1	Cable (Length=4533)	1
62	YG30-9100G	Hydraulic Cylinder	1
63	NH4D-2020	Cylinder Pin	1
64	B52-4×50	Cotter Pin Ø4×50	2
72	B30-10	Nut M10	28
75	B41-10	Flat Washer Ø10	28
80	B10-12×20	Hex Head Bolt M12×20	4
82	30400-1999	Shock Absorption Washer	4
83	NH4D-2021	Cylinder Connecting Plate	1
84	NH4D-2022	Cable Lock Plate	1

85	B33-27×2	Nylon Lock Nut M27×2	1
86	NH4D-2030A	Cable Lock Plate Bracket	1
87	NH4D-2030B	Antifriction Block	2
88	B20-4×8	Socket Head Screw M4×8	4
89	B42-6	Big Flat Washer Ø6	2
90	B20-6×16	Socket Head Screw M6×16	2
91	B23-10×20	Crosshead Screw M10×20, Discal Head	24
92	B23-10×30	Crosshead Screw M10×30, Discal Head	4
93	B14-3/4×140	Anchor Bolt 3/4"×140	16
94	B31-16	Nut M16, Grade 8.8	8
95	SH4D-9200	Throttle	1
96	LR-9801-11	Fitting, Right Angle	1
97	B10-6×25	Hex Head Bolt M6×25	1
98	B33-6	Nylon Lock Nut M6	1
99	EPC8-02	Connector	1
100	NH4D-2040	Air Tube	1
101	EPM8	Bulkhead	1
102	NH4D-2050	Air Tube	1

Vehicle Service GroupSM
2700 Lanier Drive
Madison, IN 47250, USA
1-800-640-5438
www.vsgdover.com



© **Vehicle Service GroupSM**
All Rights Reserved. Unless otherwise indicated, **Vehicle Service GroupSM**, and all other trademarks are property of Dover Corporation and its affiliates.