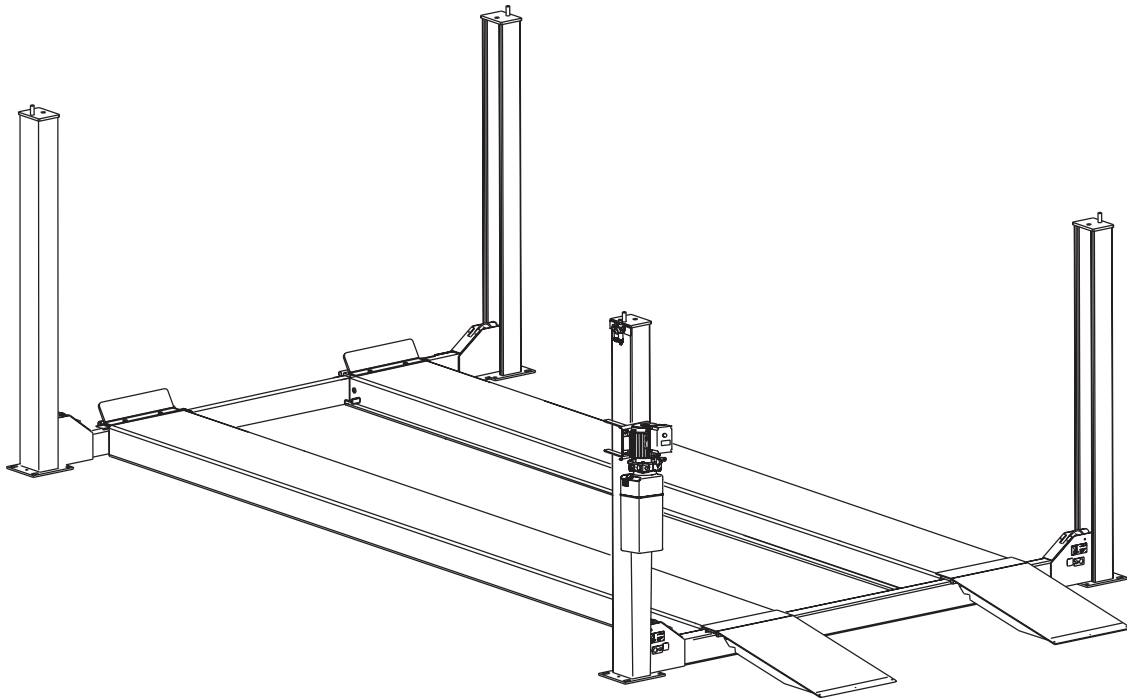


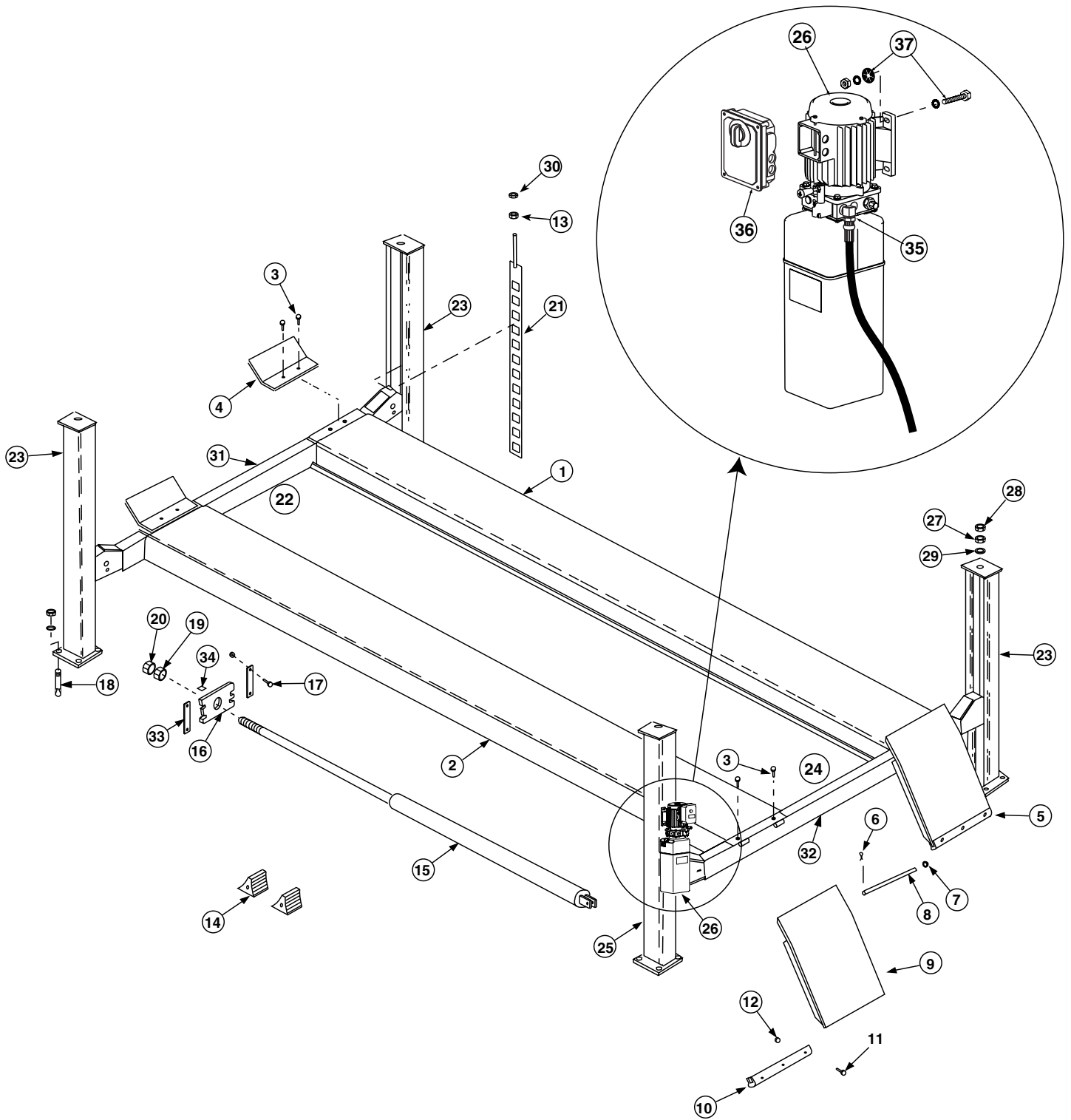


CR18

Parts Breakdown

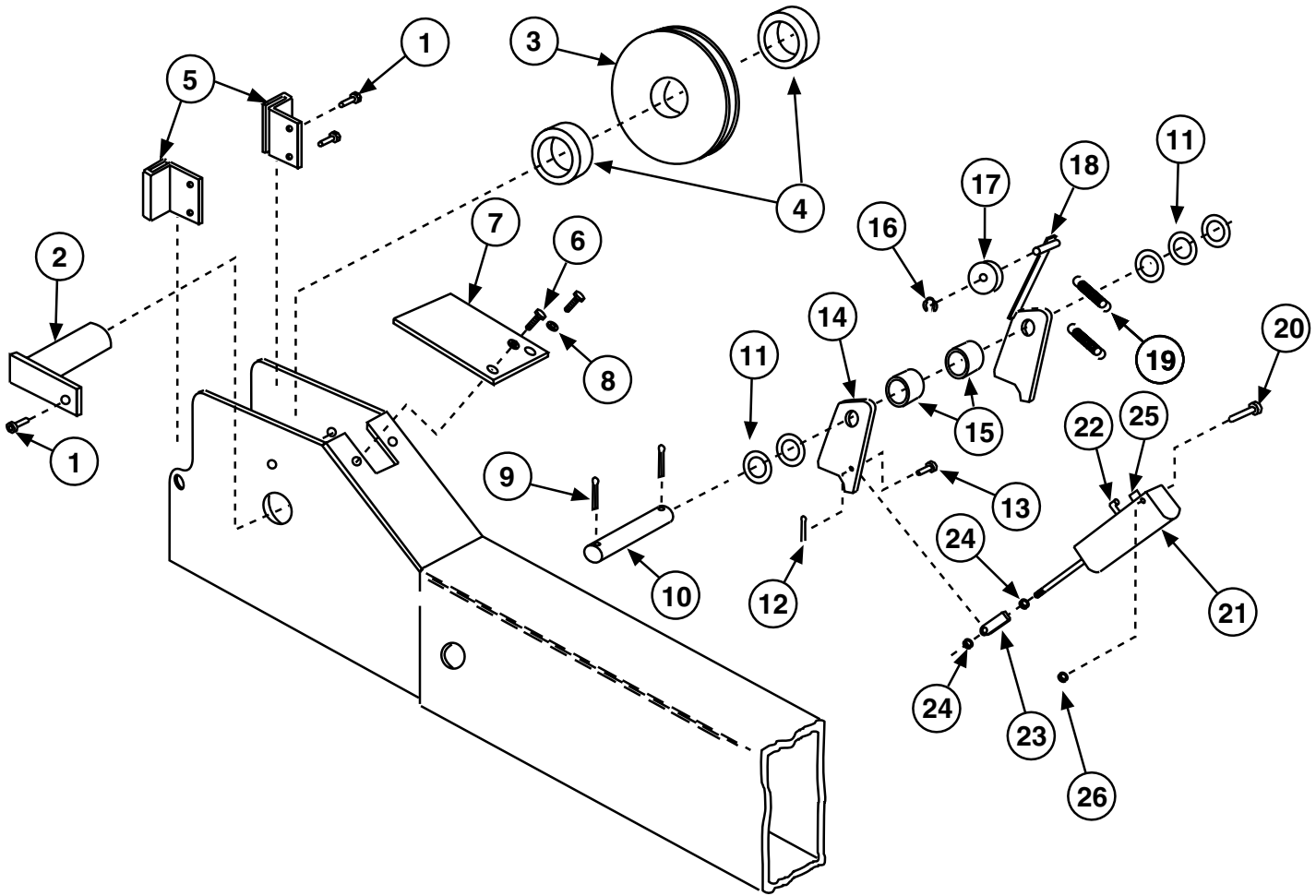
Capacity 18,000 lbs. (9,000 lbs. per axle)
Four Post Surface Mounted Lift
Maximum Wheelbases: 194" & 230"
Minimum Wheelbase: 126"





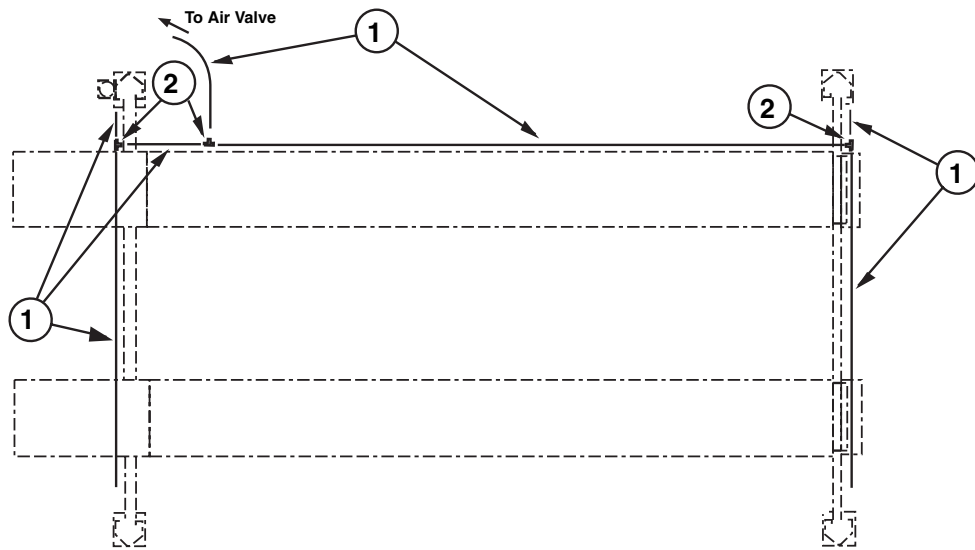
Item	Description.....	Part Number
1	Right Hand Runway Weld	
	000 & 006 Series.....	S110126
	001 & 007 Series.....	S110124
	010 & 016 Series.....	S110126
	011 & 017 Series.....	S110124
2	Left Hand (Fixed) Runway Assembly (Includes cylinder, cables and sheaves)	
	000 & 006 Series.....	S110122
	001 & 007 Series.....	S110121
	010 & 016 Series.....	S110133
	011 & 017 Series.....	S110132
3	1/2"- 13NC x 1-1/2", Flg. Whiz Lock HHCS (High Strength)	40297
4	Wheel Stop.....	FC5810-19
5	Ramp Chock Assembly	
	Standard Length.....	FC5810-43
	Extended Length	S130085
6	5/32" x 1" Lg. Cotter Pin	41202
7	5/8" Pushnut Fastener	FC5179-4
8	Hinge Pin.....	FC134-99
9	Ramp Chock.....	FC5810-45
10	Ramp Chock Slide.....	FC134-33
11	#10-24 PHMS x 3/4" Lg.	40030
12	#10-24 Hex Nut	40630
13	3/4"-10NC Hex Nut.....	40760
14	Wheel Chock	FC337
15	Hydraulic Cylinder	FC5810-38
16	Cable Pull Bar.....	FC5810-30
17	1/4"-20NC X 2-1/4" HHCS.....	40112
	1/4"-20NC NUT.....	40642
18	5/8" Anchor Bolt.....	FC5228
19	1-1/2"-6NC Hex Nut	40774
20	1-1/2"-6NC Hex Jam Nut	40830
21	Latch Bar	FC5814-11
22	Front Yoke Ass'y (Including Latches).....	FC5786
23	Standard Column.....	FC5814
24	Rear Yoke Ass'y (Including Latches)	FC5787
25	Power Unit Column.....	FC5815
26	Power Unit	
	1 Phase	*P1006/P3006
	3 Phase	*P1049/P3460
27	1"-8NC Hex Nut.....	40768
28	1"-8NC Hex Jam Nut.....	40767
29	1" Flat Washer	41113
30	3/4"-10NC Hex Jam Nut	40759
31	Front Yoke Weld	FC5786-1
32	Rear Yoke Weld.....	FC5787-1
33	Retainer Bar	FC5810-47
34	Glide	FC5160-12
35	Elbow.....	P1028-4
36	Control Box.....	FA7366
	Capacitor Box.....	FA7147-1
	Capacitor Box Cover Plate	FA7366-1
	Drum Switch.....	FA7364
	Drum Switch Lever.....	FA7364-1
	M5 x 45 PHMS, Plated.....	41672
37	5/16"-18NC x 1-1/2" HHCS Full Thread	40271
	5/16"-18NC Flanged Locknut	40678
	5/16" Pushnut.....	FC5209

*** Two different power units were used. Please verify your exact model number before ordering replacement parts.**

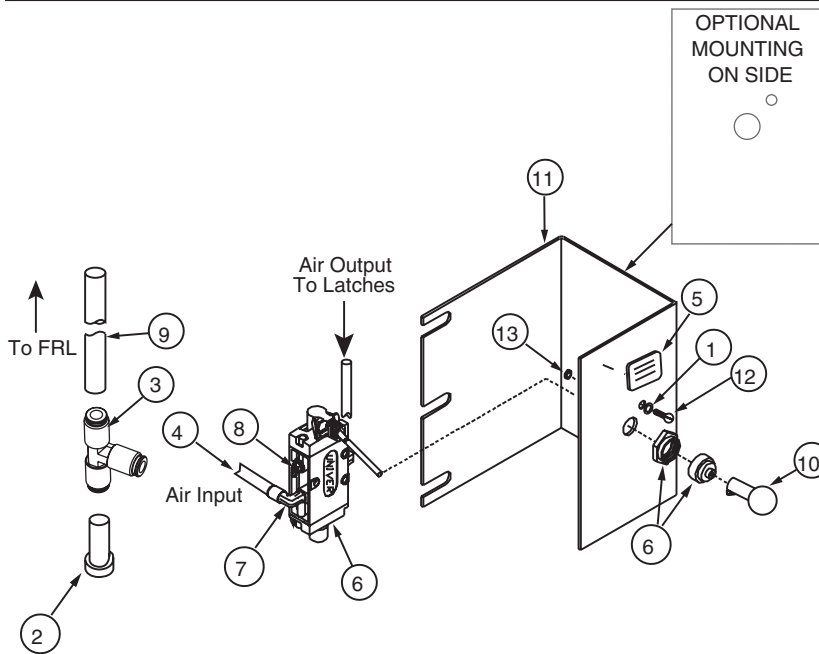


YOKE END DETAIL

ITEM	DESCRIPTION	PART NO.	ITEM	DESCRIPTION	PART NO.
1	5/16"-18NC HHCS x 3/4" Lg.	40232	14	Latch	FC5812-29
2	Sheave Pin Assembly	FC5224-21	15	Spacer	FC5812-28
3	Sheave	FC5810-10	16	3/8" Snap Ring TRUARC #5304-37	41410
4	Yoke Sheave Spacer	FC5927-10	17	Slack Cable Roller	FC553-21
5	Slider	FC5812-10	18	Slack Cable Latch	FC5812-27
6	1/4" 20NC HHTS x 1/2" Lg.	40067	19	Extension Spring	FC522-25
7	Rubber Guard	FC553-10	20	1/4"-20NC x 1-1/2" HHCS	40081
8	1/4" Plain Washer	40780	21	Air Cylinder	FC5708-2
9	Cotter Pin, 1/8" X 1 1/4"	41201	22	Elbow	FC5224-39
10	Latch Shaft	FC5224-17	23	Clevis	FC5706-7
11	Washer	FC5301-98	24	1/4" - 28NF Hex Nut	40622
12	1/4" Hairpin Cotter Pin (.05" dia. wire)	41901	25	1/8" NPT PLUG	FC5708-4
13	Clevis Pin	FA2230-12	26	1/4"-20NC Hex Nylon Insert Locknut	40642

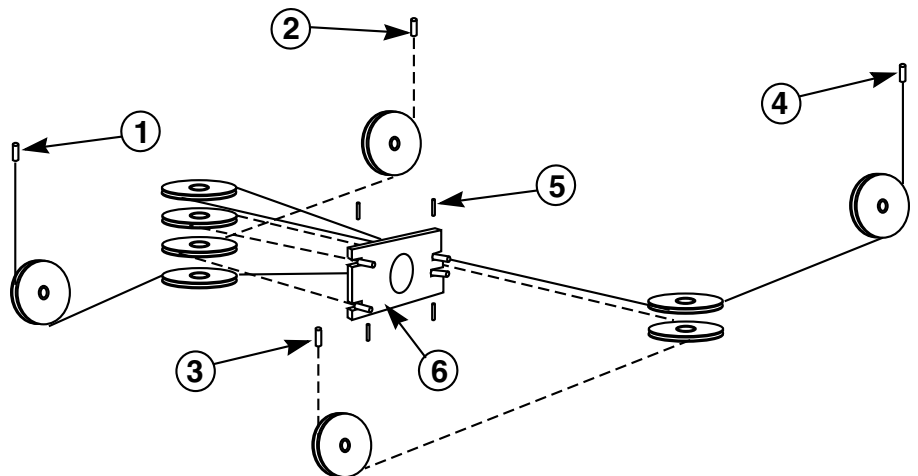


AIRLINE DETAIL		
ITEM NO.	DESCRIPTION	PART NO.
1	Airline Tubing (50' roll)	FA2230-2
2	Union Tee	FC5225-46

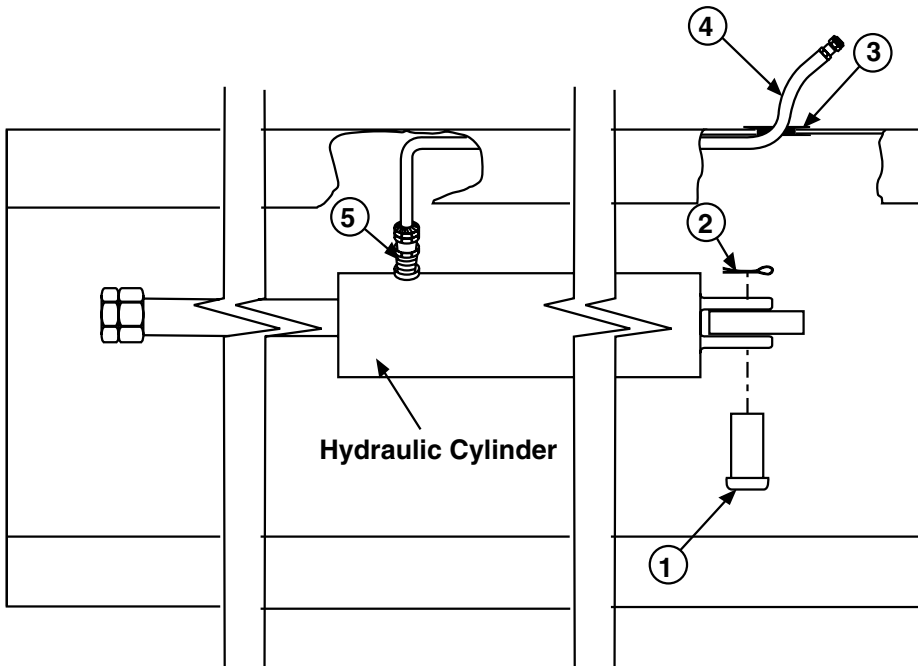
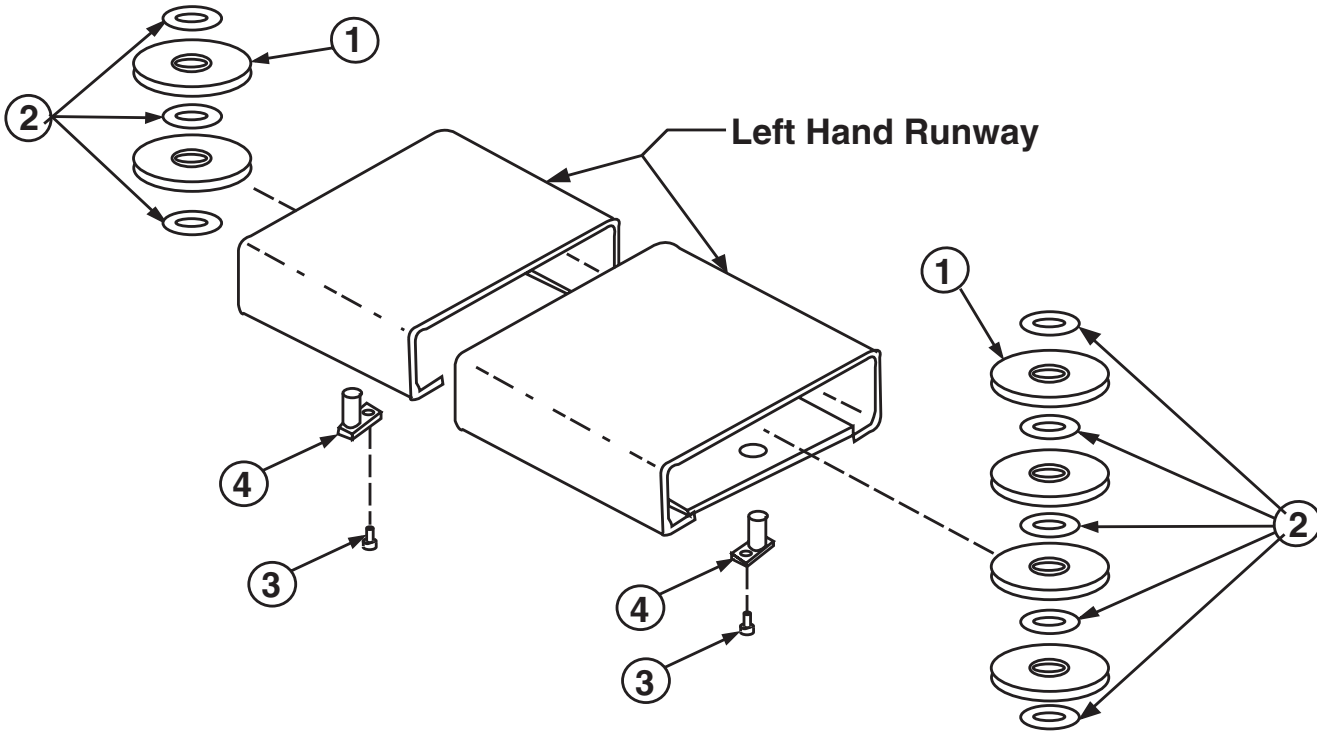


AIR LOCK RELEASE VALVE DETAIL		
ITEM NO.	DESCRIPTION	PART NO.
1	#8 SAE Flat Washer	40788
2	3/8" Plug	FA2230-16
3	Union Tee	FA2242-1
4	1/4" Tubing	FC2230-2
5	Nameplate	NP280
6	Control Ass'y.	T140073
7	Swivel Elbow	T140074
8	Filter / Muffler	T140075
9	3/8" tubing (40ft roll)	FA2230-15
10	Air Lock Handle	T140119
11	Control Bracket	FA3217
12	#8-32NC x 1-1/2" PHMS	40007
13	#8-32NC Nylon Locknut	40649

CABLES			
ITEM	DESCRIPTION	PART NO.	
1	Left Front Cable	FC5810-11	
2	Right Front Cable	FC5810-12	
3	Left Rear Cable	000/006/010/016 Series 001/007/011/017 Series	FC5810-13 FC5816-13
4	Right Rear Cable	000/006/010/016 Series 001/007/011/017 Series	FC5810-14 FC5816-14
5	3/8" x 3-1/4" Roll Pin	14464	
6	Cable Pull Bar	FC5810-30	

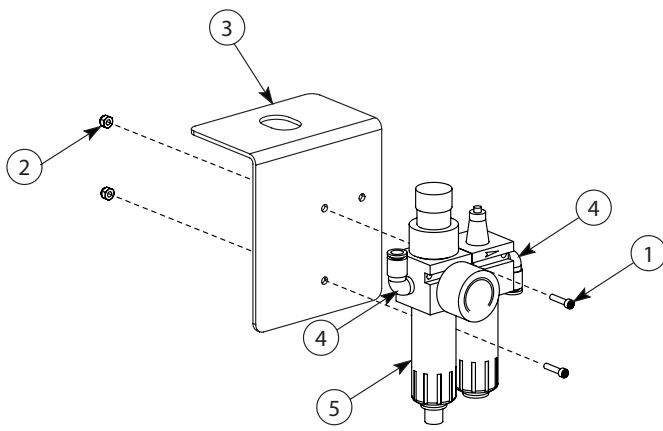


SHEAVE DETAIL		
ITEM NO.	DESCRIPTION	PART NO.
1	Sheave	FC5810-10
2	Bearing	FC5225-17
3	5/16"-18NC x 1/2" lg. HHCS	40401
4	Runway Pin Assembly	FC5810-40

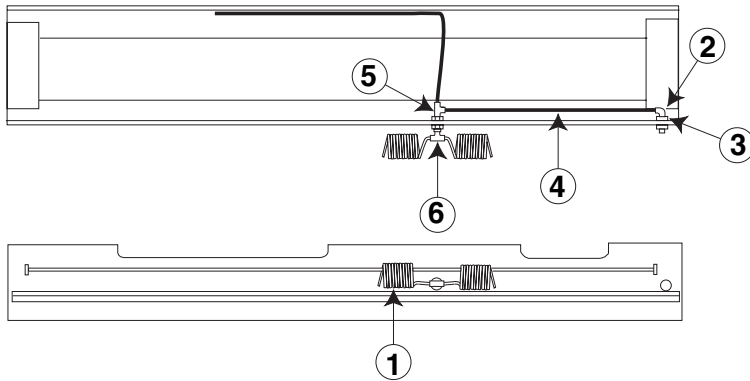


View Beneath Runway

HYDRAULIC HOSE DETAIL		
ITEM	DESCRIPTION	PART NO.
1	Cylinder Pin	FC5810-17
2	3/16" x 3" lg. Cotter Pin	41253
3	Runway Grommet	S130063
4	Hydraulic Hose	
	000/006/010/016 Series	FC5225-16
	001/007/011/017 Series	FC5426-4
5	Elbow	FJ7224

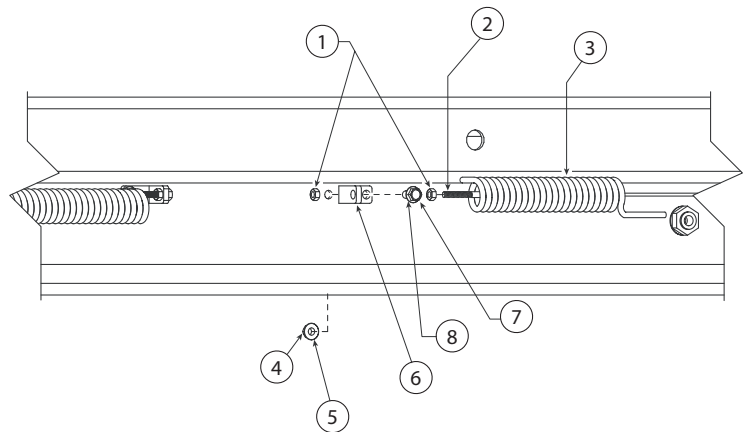


FRL DETAIL		
ITEM NO.	DESCRIPTION	PART NO.
1	#10-24 x 3/4" Hex SHCS	AP00027
2	#10-24 Nylon Lock Nut	40811
3	Adapter Bracket	S120674
4	Elbow	FC147-7
5	Filter/Regulator/Lubricator	S130080



INTERNAL AIRLINE PARTS		
ITEM NO.	DESCRIPTION	PART NO.
1	Recoil Hose	FC147-14
2	Male Elbow	FC147-7
3	Female Bulkhead	FC147-1
4	Runway Tubing	FC147-6
5	Tubing	FC5313-2
6	Male Run Tee	FC147-3
7	Male Branch Tee	FC147-5

Retainer Cable Detail		
ITEM NO.	DESCRIPTION	PART NO.
1	1/4" x 20NC Hex Nut	40625
2	Airline Retainer Cable (182"/206")	S130078
	Airline Retainer Cable (158")	XS130063
3	Recoil Hose	-
4	3/8" Nut	40660
5	3/8" Lockwasher	40845
6	Retainer Bracket	FC147-9
7	3/8"-16NC x 3/4" Lg. HHCS	40130
8	3/8" Flat Washer	40820





Forward Lift
996 Industrial Drive
Madison, IN. 47250

Phone: 800.445.5438
Fax: 800.578.5438
www.forwardlift.com

© 2011 Forward Lift; Forward Lift is a brand of Vehicle Service Group, A Dover Company. All rights reserved Unless otherwise indicated. Forward Lift, Vehicle Service Group, Dover, and all other trademarks are property of Dover Corporation and its affiliates.