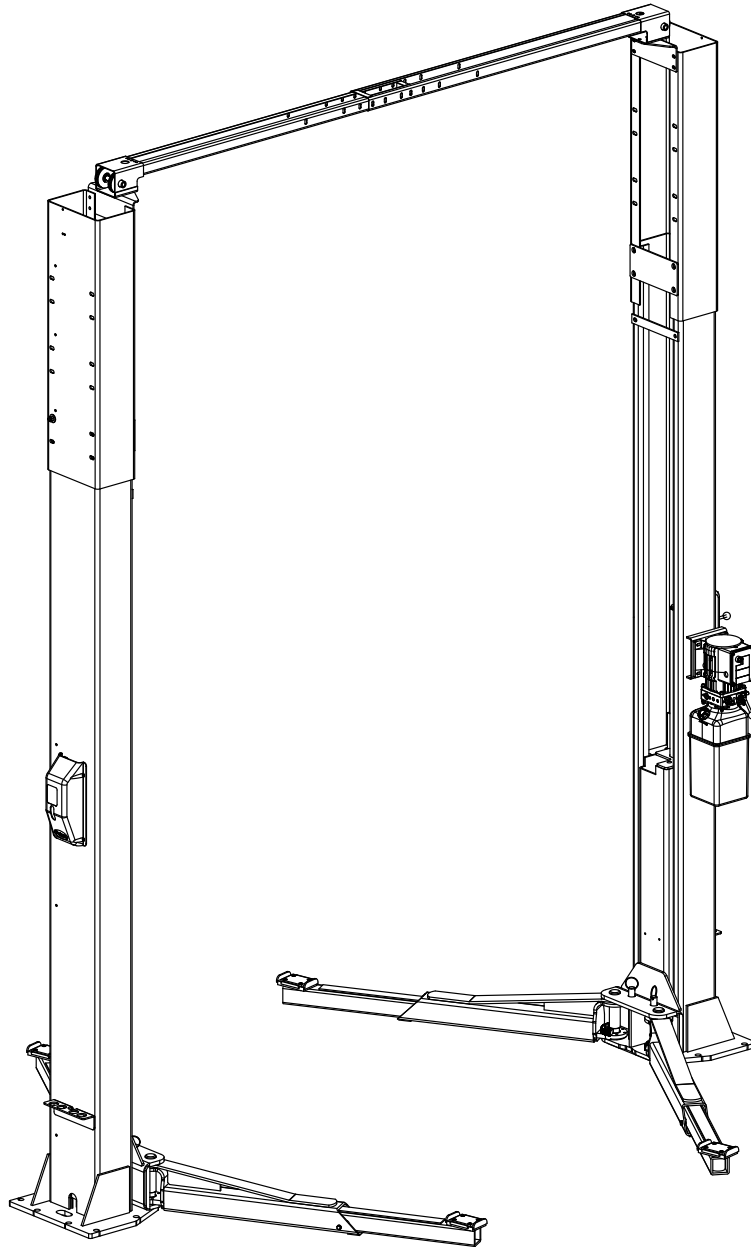


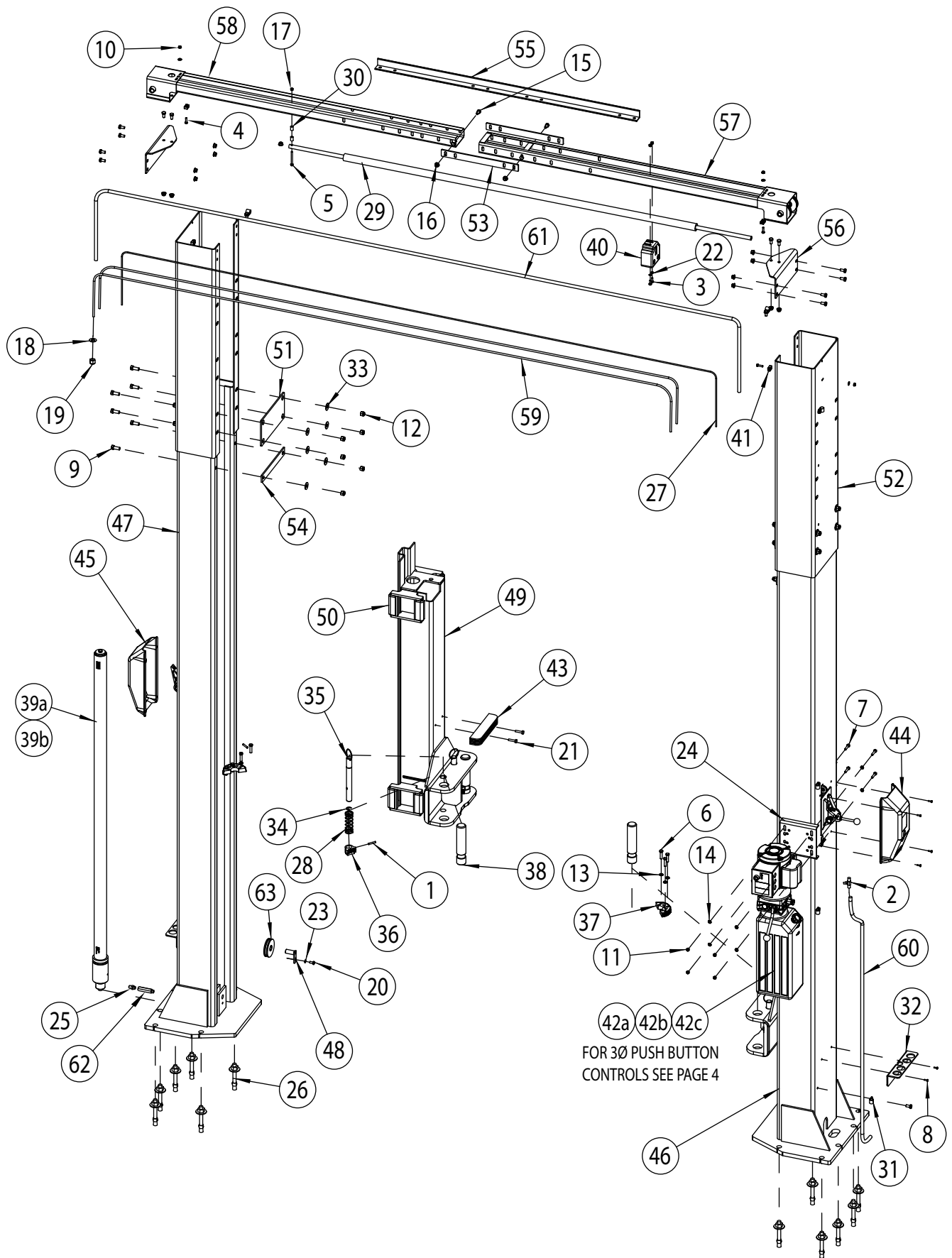
Parts Breakdown

2-Post Capacity 12,000 lbs.

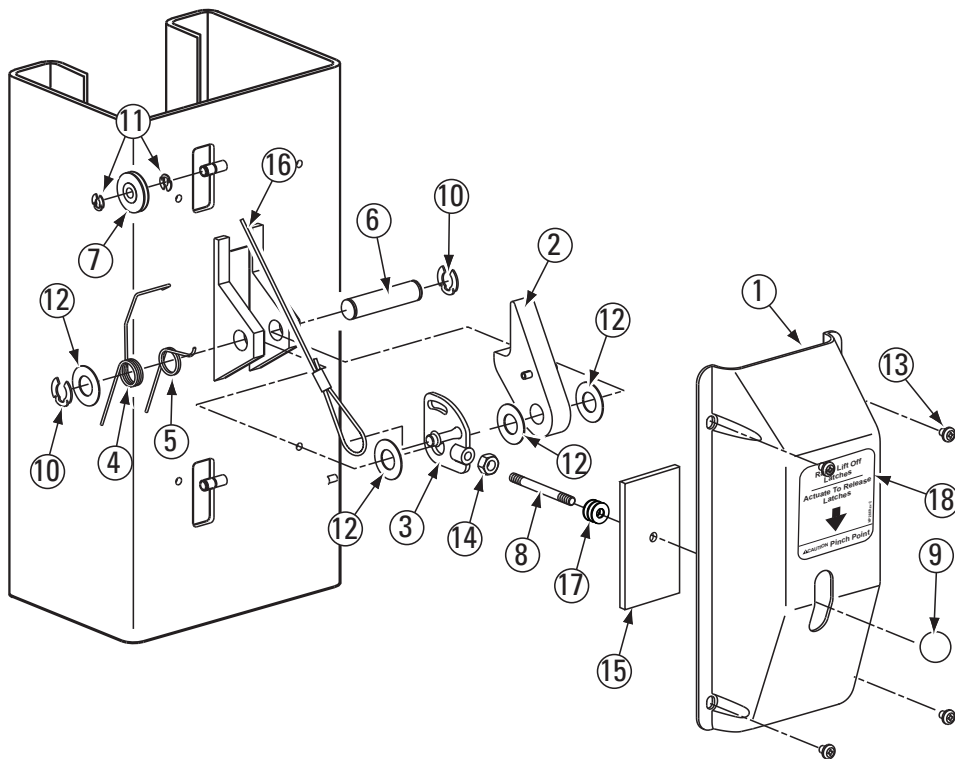


LP60036

| ITEM | QTY | PART NO. | DESCRIPTION |
|------|-----|--------------|--|
| 1 | 4 | 14427 | 1/4" DIA. x 1-1/2" Lg. SPRING PIN, STAINLESS |
| 2 | 1 | 30400-9051YZ | BRANCH TEE |
| 3 | 2 | 40099 | 1/4"-20NC x 3/4" Lg HHCS, GRD5 |
| 4 | 4 | 40108 | 1/4"-20NC x 1" Lg HHCS, GRD5 PLTD |
| 5 | 1 | 40114 | 1/4"-20NC x 2-3/4" Lg. HEX FLGD WZLOCK CS, PLTD |
| 6 | 12 | 40200 | 3/8"-16NC x 1-1/2" Lg HHCS, GRD5 |
| 7 | 4 | 40271 | 5/16"-18NC x 1-1/2" Lg HHCS FULLTHD, GRD5 PLTD |
| 8 | 12 | 40277 | 5/16"-18NC x 3/8"Lg. PHMS |
| 9 | 20 | 40286 | 1/2"-13NC x 1-1/4" Lg HHCS, GRD5 PLTD |
| 10 | 4 | 40641 | 1/4"-20NC HEX FLGD WZLOCK NUT, PLTD |
| 11 | 4 | 40670 | 5/16"-18NC HEX NUT, PLTD |
| 12 | 20 | 40707 | 1/2"-13NC HEX NYLON INSERT LOCKNUT |
| 13 | 12 | 40818 | 3/8" HELICAL SPRING LW, PLTD |
| 14 | 8 | 40854 | 5/16" EXT TOOTH LW, PLTD |
| 15 | 30 | 41536 | M10x1.5x20mm Lg. HHCS |
| 16 | 21 | 41655 | M10x1.5 HEX FLGD WZLOCK NUT, PLTD |
| 17 | 3 | 911403 | 1/4"-20 NYLON INSERT HEX NUT, PLATED |
| 18 | 1 | 913206 | 5/8" SAE WASHER |
| 19 | 1 | 913303 | 5/8"-11 HEX NYLON INSERT LOCK NUT |
| 20 | 2 | B10-M8X16 | BOLT M8x16mm |
| 21 | 4 | B20-35 | M8 X 35 |
| 22 | 2 | B41-6 | Flat Washer Ø6 |
| 23 | 2 | B41-8 | Flat Washer Ø8 |
| 24 | 1 | DP9-1103 | POWER UNIT BRACKET, (PART OF COLUMN WELDMENT) |
| 25 | 2 | FJ7352-3 | ADAPTER |
| 26 | 12 | FJ7380 | 3/4"X 5-1/2" ANCHOR BOLT |
| 27 | 4 | FJ7600 | LATCH CABLE ASSEMBLY |
| 28 | 1 | FJ7656-2Y | ARM RESTRANT SPRING |
| 29 | 1 | G3T-4002 | SWITCH BAR ASSEMBLY |
| 30 | 2 | G3T-4003 | SPACER |
| 31 | 10 | G3T-8005 | PLASTIC COLUMN HOSE CLIP |
| 32 | 2 | GF-1004 | TOOL HOLDER |
| 33 | 21 | H4D-2000-10 | WASHER |
| 34 | 4 | N119-3 | RETAINING RING |
| 35 | 4 | N121-1Y | ACTUATOR PIN |
| 36 | 4 | N2121 | ARM RESTR. PAWL |
| 37 | 4 | N2122 | ARM RESTR. GEAR |
| 38 | 4 | N2154 | ARM PIN |
| 39a | 2 | N380Y | CYLINDER ASSEMBLY Metric |
| 39b | 2 | N382Y | CYLINDER ASSEMBLY Metric |
| 40 | 1 | N413 | OVER HEAD SWITCH ASSEMBLY |
| 41 | 4 | N619 | CABLE END BRACKET |
| 42a | 1 | P3616 | POWER UNIT 208-230v 2.1cc/rev. 210-220 BAR (F12/R12) |
| 42b | 1 | P3291 | POWER UNIT,1Ø,MANUAL LOWERING (I12/RTP12) |
| 42c | 1 | P3526 | POWER UNIT,3Ø,208-230/460 50/60Hz |
| 43 | 2 | PV-3005 | CARRIAGE BUMPER |
| 44 | 1 | TP6-5003 | CONTROL SIDE COVER |
| 45 | 1 | TP6-5004 | SLAVE SIDE COVER |
| 46 | 1 | VT12-0100 | MAIN SIDE COLUMN ASSEMBLY |
| 47 | 1 | VT12-0200 | SLAVE SIDE COLUMN ASSEMBLY |
| 48 | 1 | VT12-1010 | CABLE SHAFT |
| 49 | 2 | VT12-2000 | CARRIAGE WELDMENT I12 |
| 50 | 16 | VT12-2008 | SLIDER BLOCK I12 |
| 51 | 2 | VT12-3001 | COLUMN REINFORCEMENT PLATE I12 |
| 52 | 2 | VT12-3002 | EXTENSION COLUMN I12 |
| 53 | 2 | VT12-3003 | OVERHEAD CONNECT PLATE I12 |
| 54 | 2 | VT12-3004 | TIE BAR |
| 55 | 1 | VT12-3005 | OVERHEAD STIFFENER I12 |
| 56 | 2 | VT12-3006 | OVERHEAD-COLUMN MOUNTING BRACKET I12 |
| 57 | 1 | VT12-5000 | L.H. OVERHEAD ASSEMBLY |
| 58 | 1 | VT12-5100 | R.H. OVERHEAD ASSEMBLY |
| 59 | 2 | VT12-6001 | 112 STD 166 EQ. CABLE |
| 60 | 1 | VT12-9801-1 | P/U HOSE, MAIN SIDE |
| 61 | 1 | VT12-9801-3 | HOSE STD LIFT HEIGHT VT12 |
| 62 | 2 | VT12-9802-1 | FLOW CONTROL VALVE |
| 63 | 2 | VT12-1012ZP | SHEAVE ASSEMBLY |



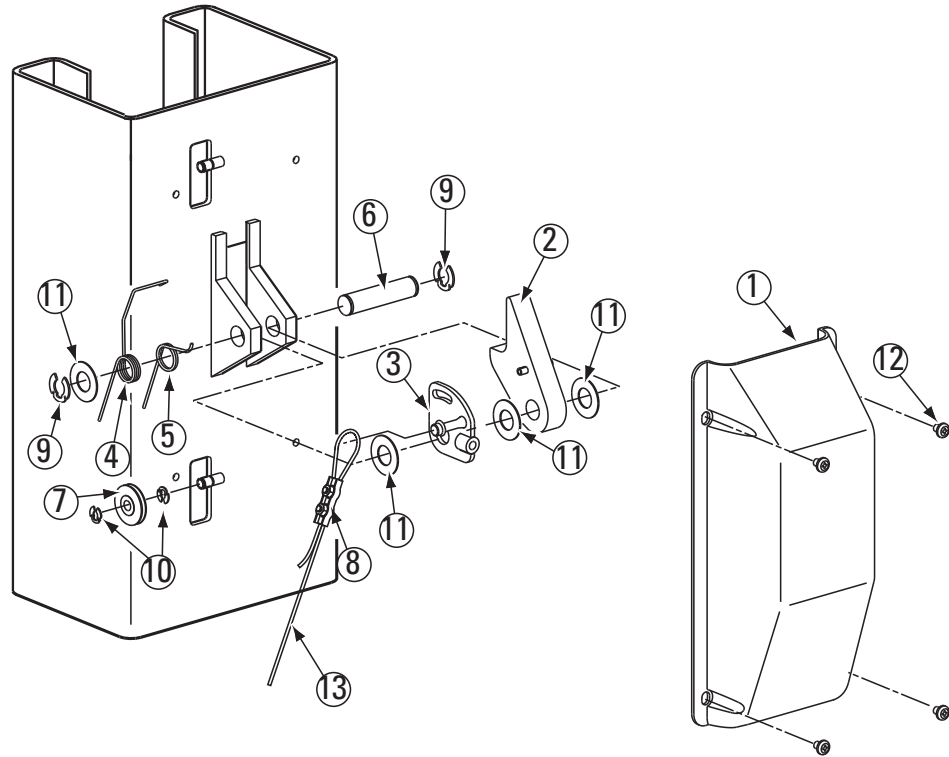
Locking Latch Detail (Right Column)



| ITEM | PART# | DESCRIPTION |
|------|-----------|---|
| 1 | TP6-5003 | Control Side Cover |
| 2 | TP10-1010 | Locking Latch Dog |
| 3 | FJ7594-2 | Control Plate |
| * 4 | FJ7566-10 | Spring |
| * 5 | FJ7382-9 | Spring |
| * 6 | VT12-1001 | Latch Shaft |
| 7 | FJ7322 | Locking Latch Sheave |
| 8 | FJ7382-18 | Handle |
| * 9 | FC134-91 | Ball Handle |
| 10 | 41411 | Truarc Klipring #5304-75 for 3/4" Shaft |
| * 11 | 41410 | Truarc Klipring #5304-37 for 3/8" Shaft |
| 12 | 41388 | 1-1/2" O.D. x 3/4" I.D. x .045" Mach. Bush. |
| 13 | 40227 | 5/16"-18NC x 3/8" Lg. PHMS |
| 14 | 40658 | 3/8" - 16NC Hex Jam Nut |
| 15 | N617 | Slot Cover |
| 16 | FJ7600 | Locking Latch Cable |
| 17 | 40820 | 3/8" Flat Washer |
| 18 | NP266 | Latch Release Decal |

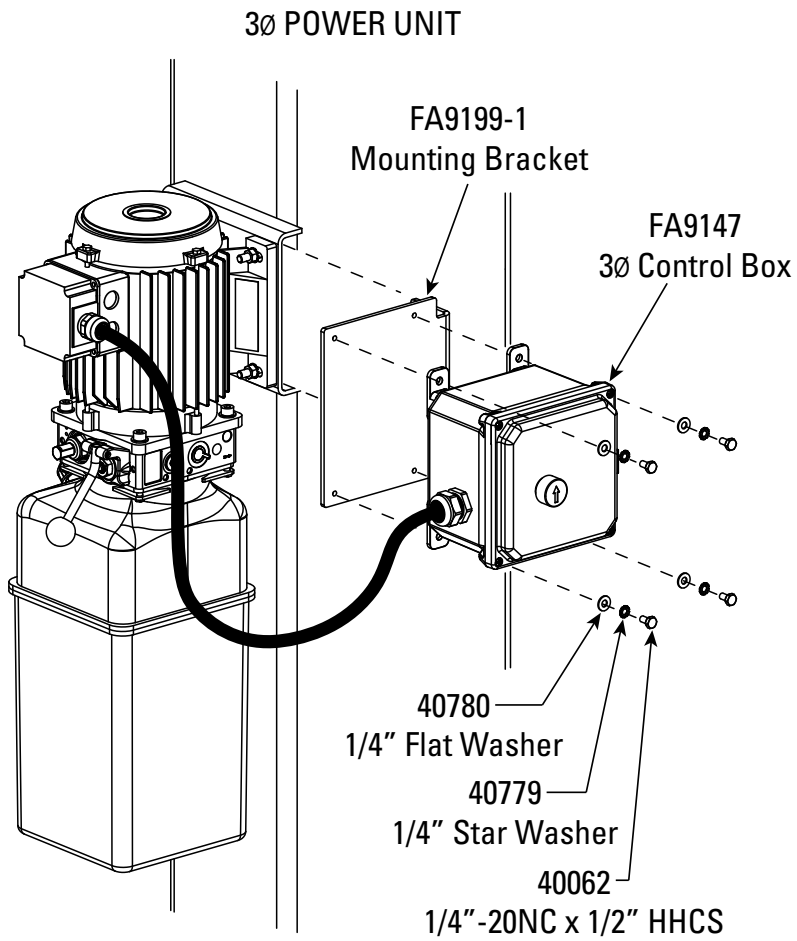
* Latch Spring Kit - FJ7382-3 (available in kit only)

Locking Latch Detail (Left Column)



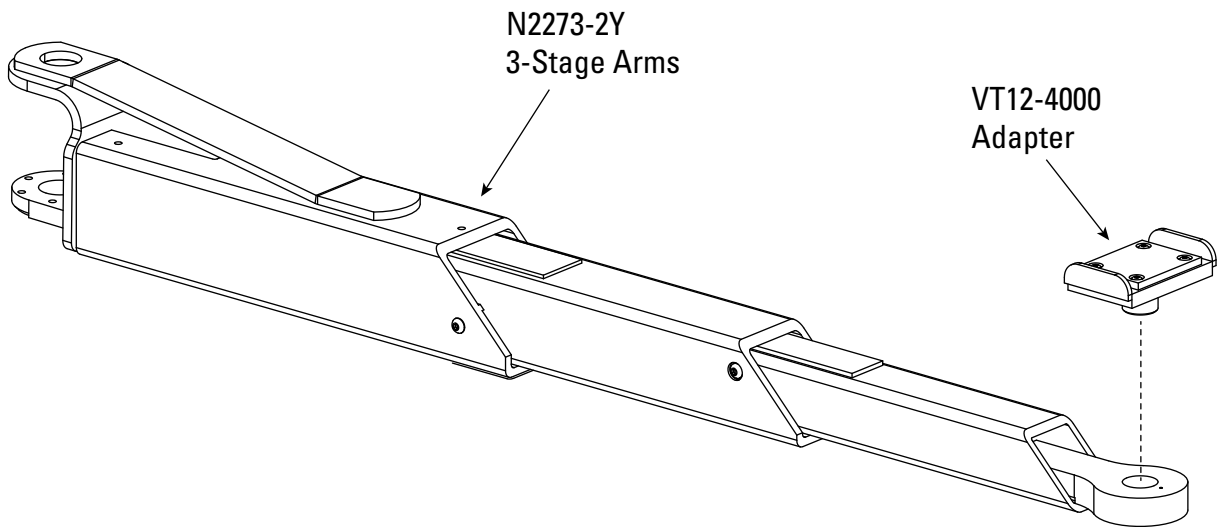
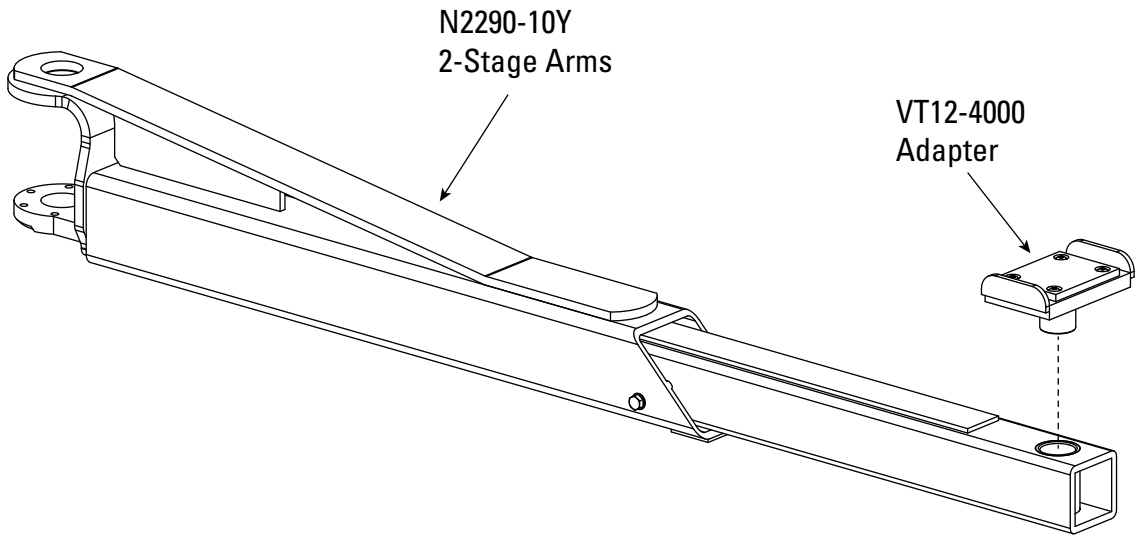
| ITEM | PART# | DESCRIPTION |
|------|-----------|---|
| 1 | TP6-5004 | Latch Cover |
| 2 | TP10-1010 | Locking Latch Dog |
| 3 | FJ7594-2 | Control Plate |
| * 4 | FJ7566-10 | Spring |
| * 5 | FJ7382-9 | Spring |
| * 6 | VT12-1001 | Latch Shaft |
| 7 | FJ7322 | Locking Latch Sheave |
| 8 | N63-1 | Latch Cable Clamp |
| * 9 | 41411 | Truarc Klipring #5304-75 for 3/4" Shaft |
| 10 | 41410 | Truarc Klipring #5304-37 for 3/8" Shaft |
| * 11 | 41388 | 1-1/2" O.D. x 3/4" I.D. x .045" Mach. Bush. |
| 12 | 40227 | 5/16"-18NC x 3/8" Lg. PHMS |
| 13 | FJ7600 | Locking Latch Cable |

* Latch Spring Kit - FJ7382-2 (available in kit only)

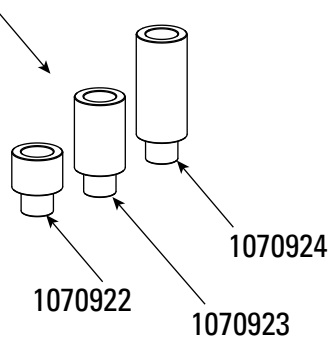


*FA9147 POWER UNIT KIT

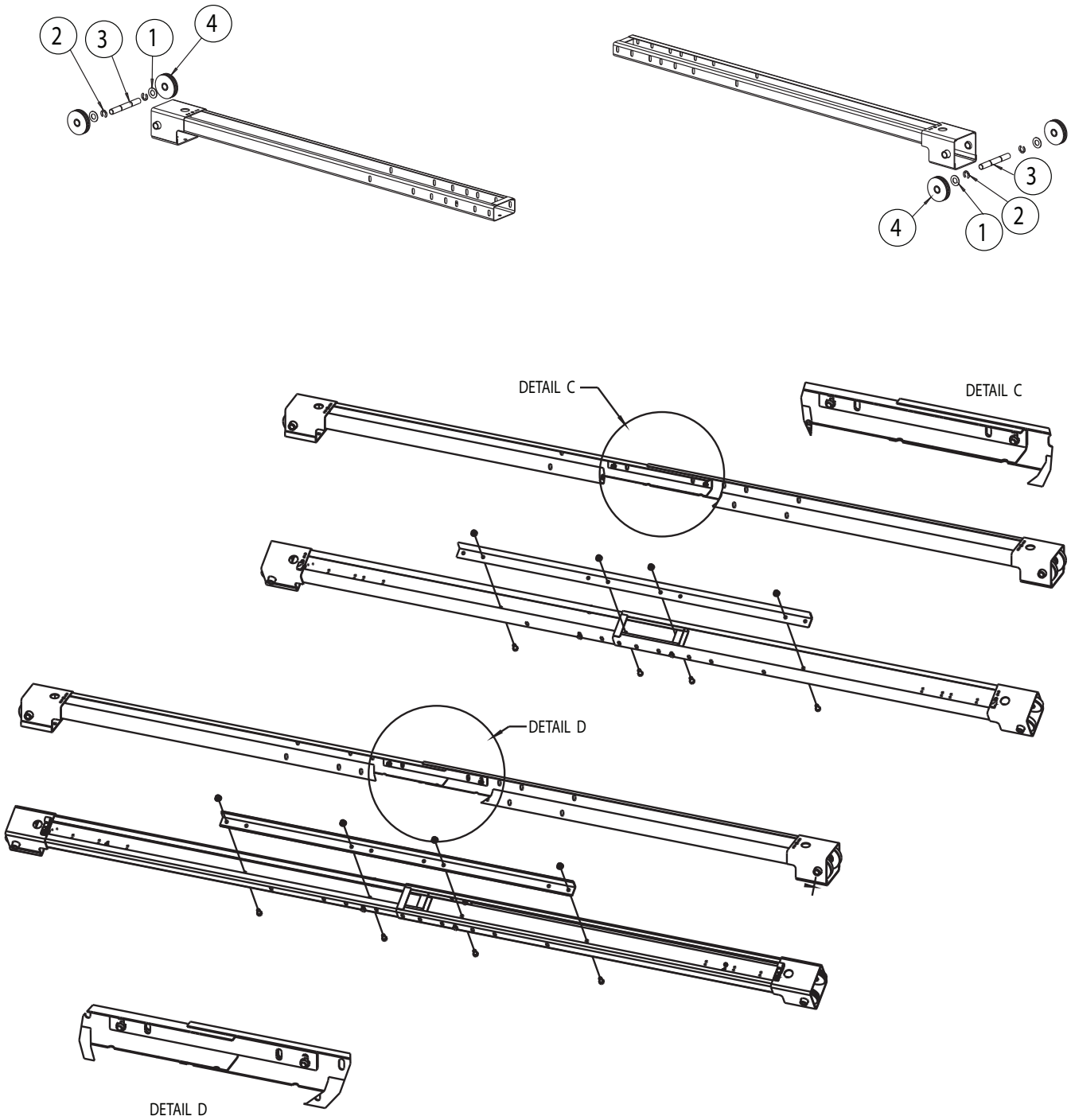
*FA9199 MOUNTING BRACKET KIT



Adapter Extensions



| ITEM | QTY | PART NO. | DESCRIPTION |
|------|-----|-------------|-------------------------------------|
| 1 | 2 | 41388 | .765" ID X 1.5" X .045" THK BUSHING |
| 2 | 2 | 41411 | TRUARC #5304-75 |
| 3 | 1 | G3T-4001 | SHEAVE SHAFT |
| 4 | 1 | VT12-1012ZP | SHEAVE ASSEMBLY |



NOTES

NOTES

NOTES

Vehicle Service GroupSM

2700 Lanier Drive
Madison, IN 47250, USA
1-800-640-5438
www.vsgdover.com



© Vehicle Service GroupSM

All Rights Reserved. Unless otherwise indicated, **Vehicle Service GroupSM**, and all other trademarks are property of Dover Corporation and its affiliates.