

SM30 30,000 LBS. CAPACITY RUNWAY LIFT

SERVICE A VARIETY OF VEHICLES WITH MAXIMUM PRODUCTIVITY

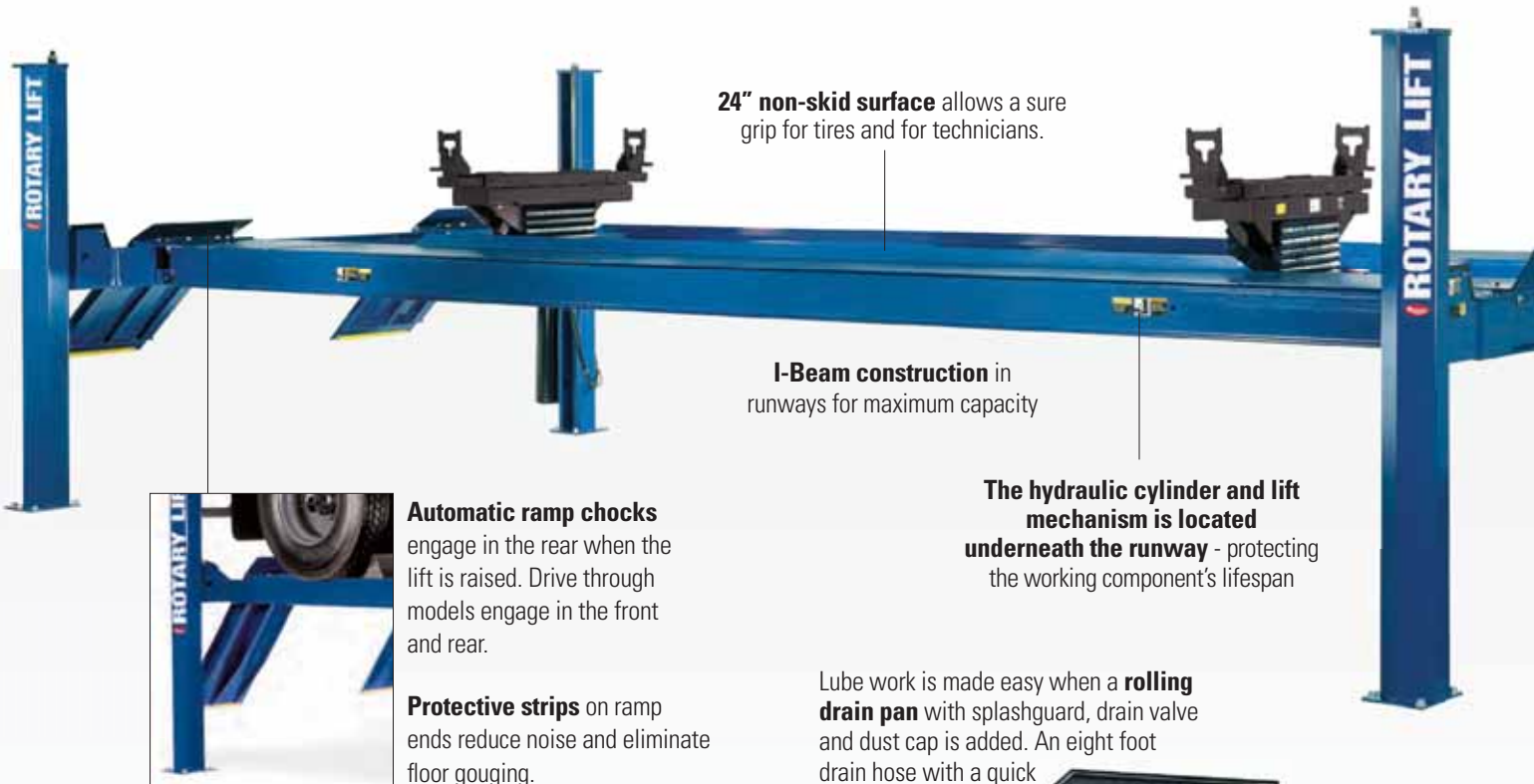
Heavy-Duty 30K Four Post Drive-On Lifts - Service Wheelbases Up To 307"

Take lift service to the next level with this four-post designed without side obstructions and better vehicle access. With a 68" lifting height, the SM30 clear floor design allows technicians room to access tool boxes and other shop equipment increasing productivity and reducing downtime. Plus, the single point air-lock release releases all four spring loaded column locks at one time adding greater productivity.

Numerous accessories turns this lift into a complete service solution for any shops' needs. These lifts handle cars, vans, trucks - even light and medium duty commercial vehicles with ease. If you service a wide variety of vehicles, Rotary 30,000 lbs. capacity SM30 lifts are the right choice for maximum productivity.



Shown: SM30N011
30,000 lbs. capacity
with optional rolling jacks



24" non-skid surface allows a sure grip for tires and for technicians.

I-Beam construction in runways for maximum capacity

The hydraulic cylinder and lift mechanism is located underneath the runway - protecting the working component's lifespan

Lube work is made easy when a **rolling drain pan** with splashguard, drain valve and dust cap is added. An eight foot drain hose with a quick disconnect fitting is also available.



#FC5968BK
SM300 series, 30 gallon capacity



Automatic ramp chocks engage in the rear when the lift is raised. Drive through models engage in the front and rear.

Protective strips on ramp ends reduce noise and eliminate floor gouging.



Shown: SM30N011
30,000 lbs. capacity with optional rolling jacks

SM30 Four-Post

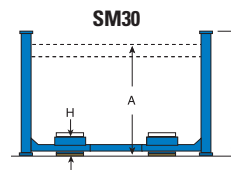
PRODUCTIVITY & PERFORMANCE

1. **PATENTED SENTINEL LOCKING SYSTEM**
2. **MULTIPLE RUNWAY LENGTHS**
3. **ADJUSTABLE RUNWAY SPACING**
4. **THIRD-PARTY ETL GOLD CERTIFIED**

SM30 LIFT SPECIFICATIONS

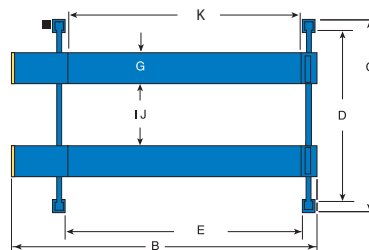
Model:	SM30S SM30L SM30EL
Maximum Wheelbase*	S 235" (5969mm) L 271" (6883mm) EL 307" (7798mm)
A. Rise / Floor to top of runway	68" (1727mm)
B. Length Overall	S 25' 8 1/8" (7826mm) L 28' 8 1/8" (8741mm) EL 31' 8 1/8" (9655mm)
C. Width Overall	12' 6" (3811mm)
D. Inside of Columns	133" (3378mm)
E. Between Columns	S 249" (6325mm) L 285" (7239mm) EL 321" (8153mm)
F. Height of Columns	7' 3/4" (2153mm)
G. Width of Runways	24" (610mm)
H. Height of Runways	8 3/4" (222mm)
I. Width Between Runways (min.)	42" (1067mm)
J. Width Between Runways (max.)	48" (1219mm)
K. Length of Runways	S 248 1/2" (6312mm) L 284 1/2" (7226mm) EL 320 1/2" (8141mm)
Lifting Capacity	30,000 lbs. (13608kg)
Motor	4 HP
Voltage Single Phase †	208v-230v
Time of Full Rise	105 seconds
Min. Bay Size	S 16' x 30' (4877 x 9144mm) L 16' x 33' (4877 x 10059mm) EL 16' x 36' (4577 x 10973mm)

S = Shorter length **L** = Standard length **EL** = Extended length



† Optional 3-phase electrical available

Standard color of lifts are blue and red. Additional colors may be available - consult your Rotary® representative for details and pricing.



RAISE YOUR FORKLIFT TO NEW HEIGHTS!

RFL25

FORKLIFT SERVICE LIFT
25,000 LBS. CAPACITY

Features

- Single point release air-locks
- Automatic ramp chocks
- Drive through models
- 68" rise height
- 163" wheelbase
- ALI / ETL Certified

CONSULT FACTORY FOR ADDITIONAL DETAILS



Optional rolling jacks with a variety of adapters lift front, rear or all wheels off the runways for brake, tire, alignment and suspension work. When idle, the jacks roll out of the way to provide unobstructed workspace between runways.



#R.J9000Y-2BK
9,000 lbs. capacity

#R.J150BK
#R.J152BK
Lower profile with drop in adapters
15,000 lbs. capacity

Optional internal airline connections let two rolling jacks operate simultaneously.

Alignment Capable Lift

Convert the SM30 into a fully functioning alignment lift by adding a two-wheel alignment kit. Bolt-on kits include front turning radius gauge kits and rear leveling plates. Rear slip plates are not available. Alignment kit is not rollback compatible.

Heavy-duty steel cable for greater lifting capacity and durability



Front wheel stops can easily be replaced by optional drive through ramps