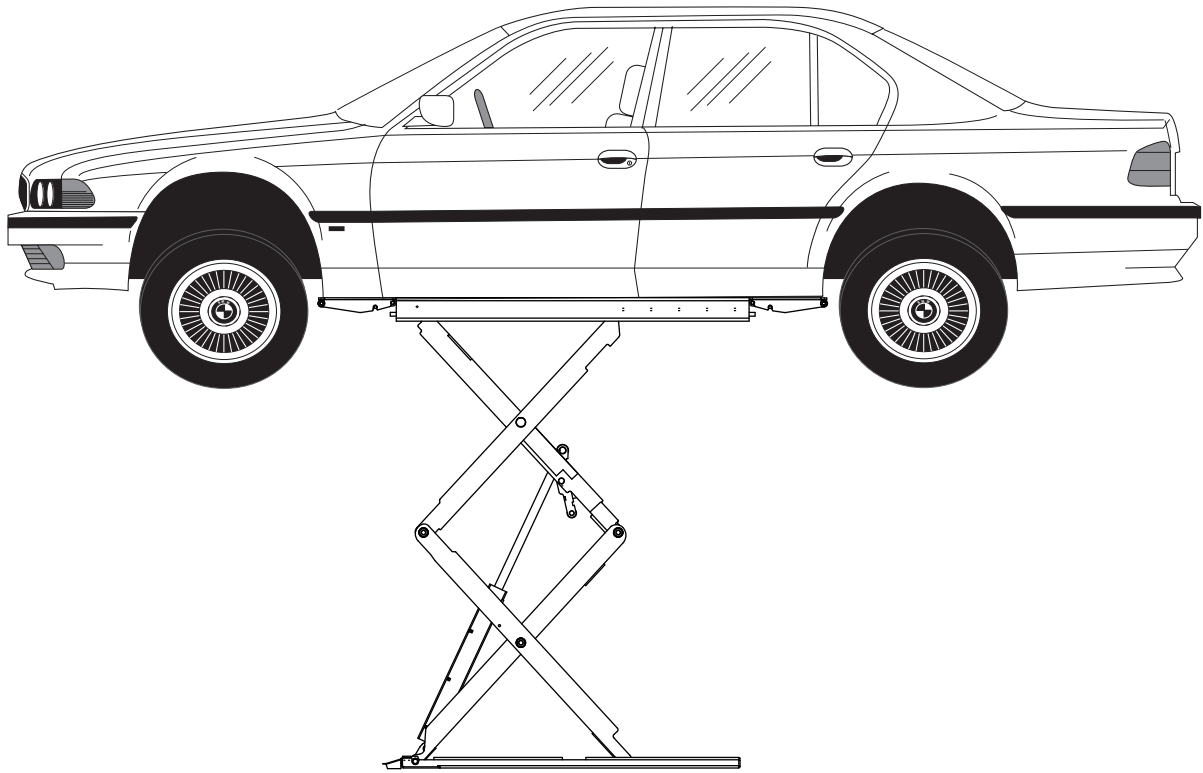




DS35 & DS35EX Scissor Lift (000 Series)

Capacity 3,500 kg (7,700 lbs)
(Maximum 1,750 kg (3,850 lbs) per pad)



P
A
R
T
S

B
R
E
A
K
D
O
W
N

OWNERS RECORD
Complete information
at right and keep in
a safe place.

Date Installed _____

Installed in Bay # _____

Power Unit Serial # _____

Power Unit Model # _____

Lift Serial # _____

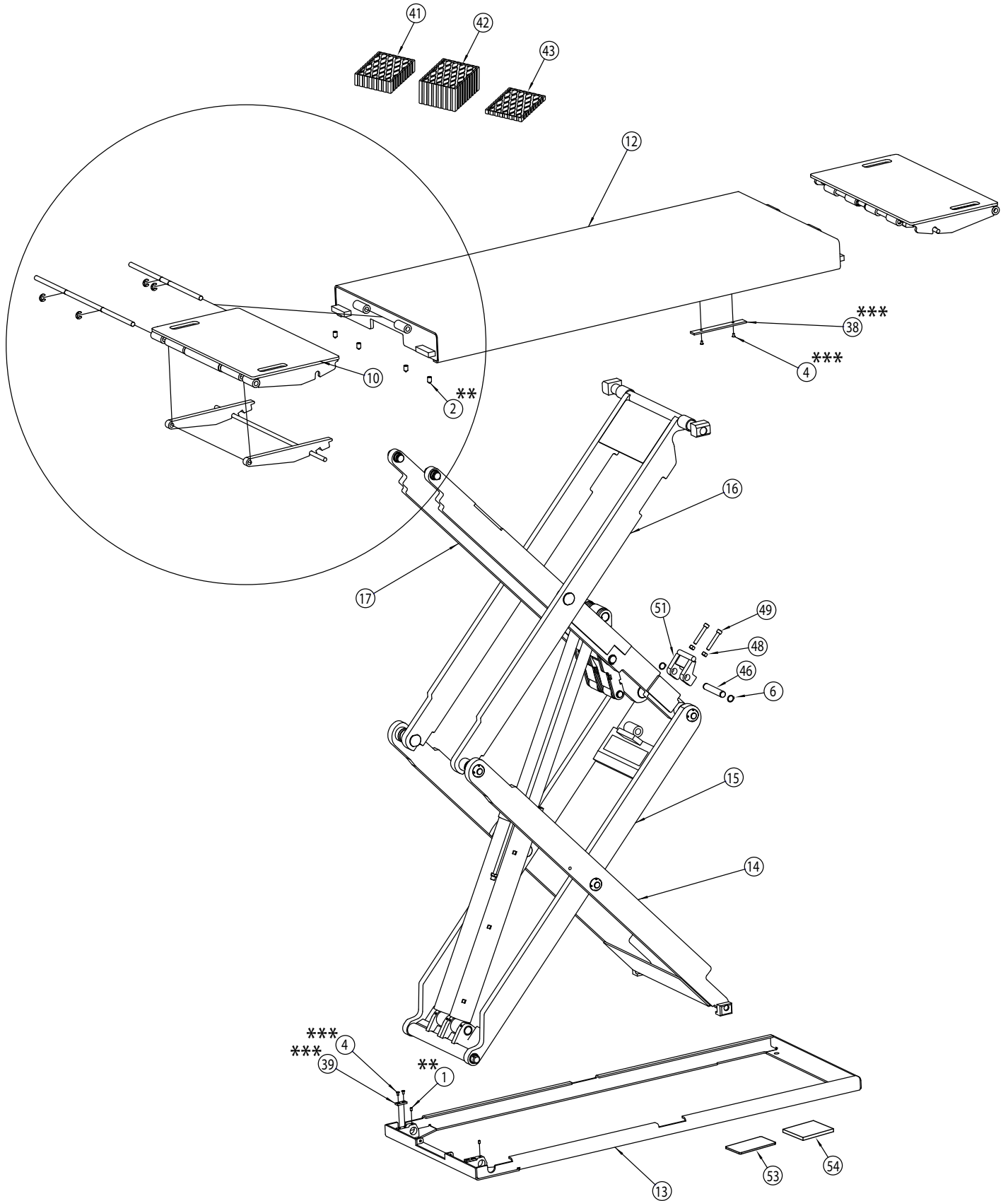
Lift Model # _____

NOTE: For replacement parts -See your nearest Rotary Parts Distributor.

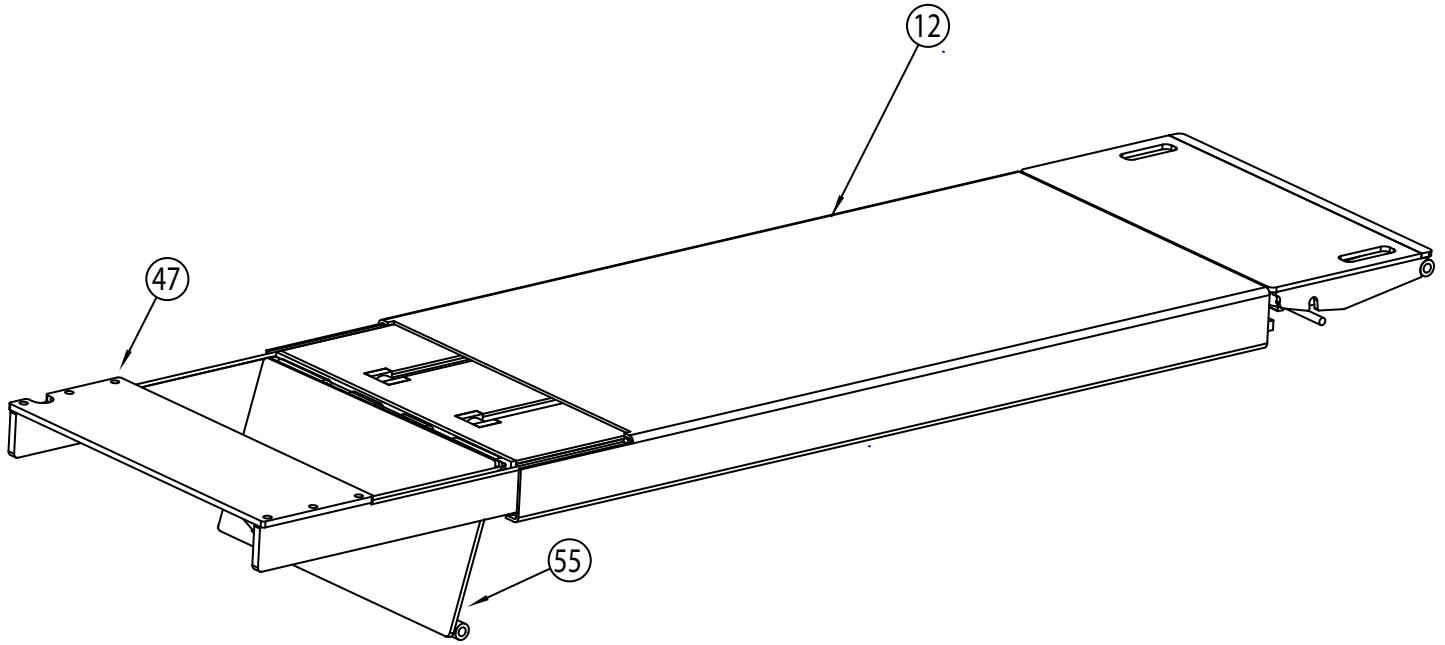
PB2-10-0
Rev. - 2/16/2016

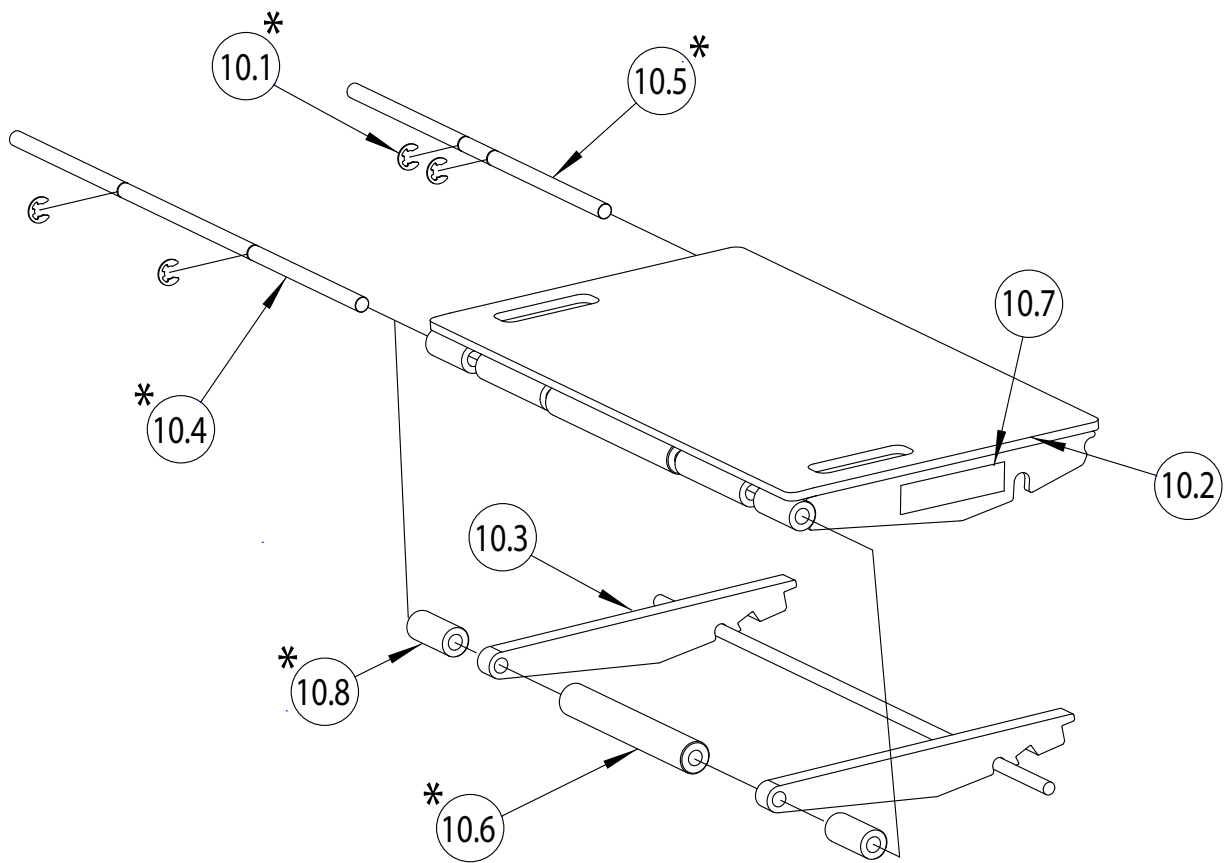
ITEM	PART NO.	DESCRIPTION
1	B21-6X10	HEX SOCKET SET SCREW WITH FLAT HEAD M6X10
2	B22-6X10	HEX SOCKET SET SCREW WITH POINT HEAD M6X10
3	XX140062	BEARING, 25 DIAM. X 30 LONG
4	B26-5X10	SOCKET FLAT HEAD COUNTERSUNK MS M5X10
5	FJ7352-3	JIC HYDRAULIC FITTING
6	B60-20	SNAPRING Ø20
7	B63-25	SNAPRING Ø25
8	EPC8-G02	RETURN LINE FITTING
9	XG130075	PROXIMITY SWITCH
10	XX110003	RAMP ASSEMBLY
11	XX110006	KICKER ASSEMBLY
12	XX120001	PLATFORM WELDMENT
13	XX120002	BASE WELDMENT
14	XX120003	SCISSOR LEG WELD
15	XX120004	SCISSOR LEG WELD
16	XX120005	SCISSOR LEG WELD
17	XX120006	SCISSOR LEG WELD
18	B21-4X6	SET SCREW, M4 X 6
19	XX130080	PIN, LONG
20	XX130081	PIN, LONG
21	XX130082	LOWER CYLINDER PIN
22	XX130086	UPPER CYLINDER PIN
23	XX140007	SLIDER BLOCK (LOWER)
24	XX140008	UPPER SLIDER BLOCK
25	XX140010	MASTER CYLINDER
26	XX140011	SLAVE CYLINDER
27	XX140014Y	BEARING, 25 DIAM. X 25 LONG
28	XX140015Y	BEARING, 25 DIAM. X 35 LONG
29	XX140017Y	BEARING, 30 DIAM. X 50 LONG
30	XX140019Y	BEARING, 25 DIAM X 50 LONG
31	XX140021	UPPER CENTER PIN
32	XX140022	LOWER CENTER PIN
33	XX140023	PIN, LONG
34	XX140024	PIN, SHORT
35	XX140025	KICKER CENTER PIN
36	XG130007	M20x1.0 SLOTTED ROUND LOCKNUT
37	XX140029	WASHER, THIN PLASTIC
38	XX140047	PLATFORM BUMPER
39	XX140048	PLATFORM RAIL
40	XX140066	SENSOR BLOCK
41	FJ2427	RUBBER BLOCK
42	FJ2428	RUBBER BLOCK
43	SB700071Y	RUBBER BLOCK
44	B41-24	Ø24 WASHER
45	K35-7010	Ø19 WASHER
46	XX130214	PIN
47	XX120013	EXTENSION
48	B30-10	NUT
49	B201-10X65	HEX BOLT M10 X 65
50	XX130225	STAINLESS STEEL PLATE
51	XX130210	CUSHION WELDMENT
52	XX140064	VELOCITY FUSE
53	ML50N-4008	3mm STEEL SHIM
54	ML50N-4003	6mm STEEL SHIM
55	XX120050	RAMP
56	B25-6X12	M6 X 12 SCREW
57	XX130232	CYLINDER COVER
58	B25-6X80	M6 X 80 SCREW
59	XX130233	FORMED PLATE
60	B30-6	M6 HEX NUT

DS35 Scissor Lift



DS35EX Scissor Lift Platform



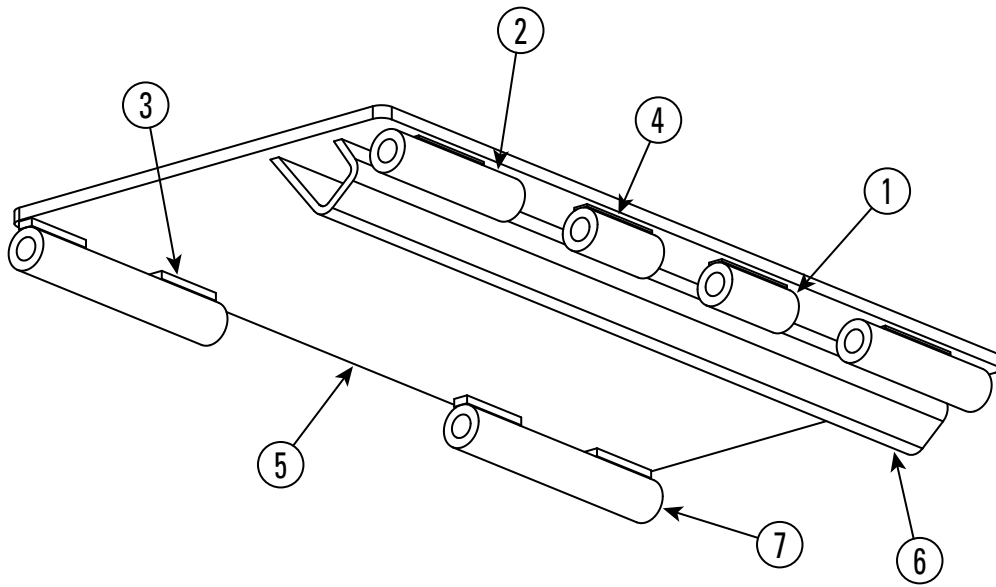


RAMP ASSEMBLY

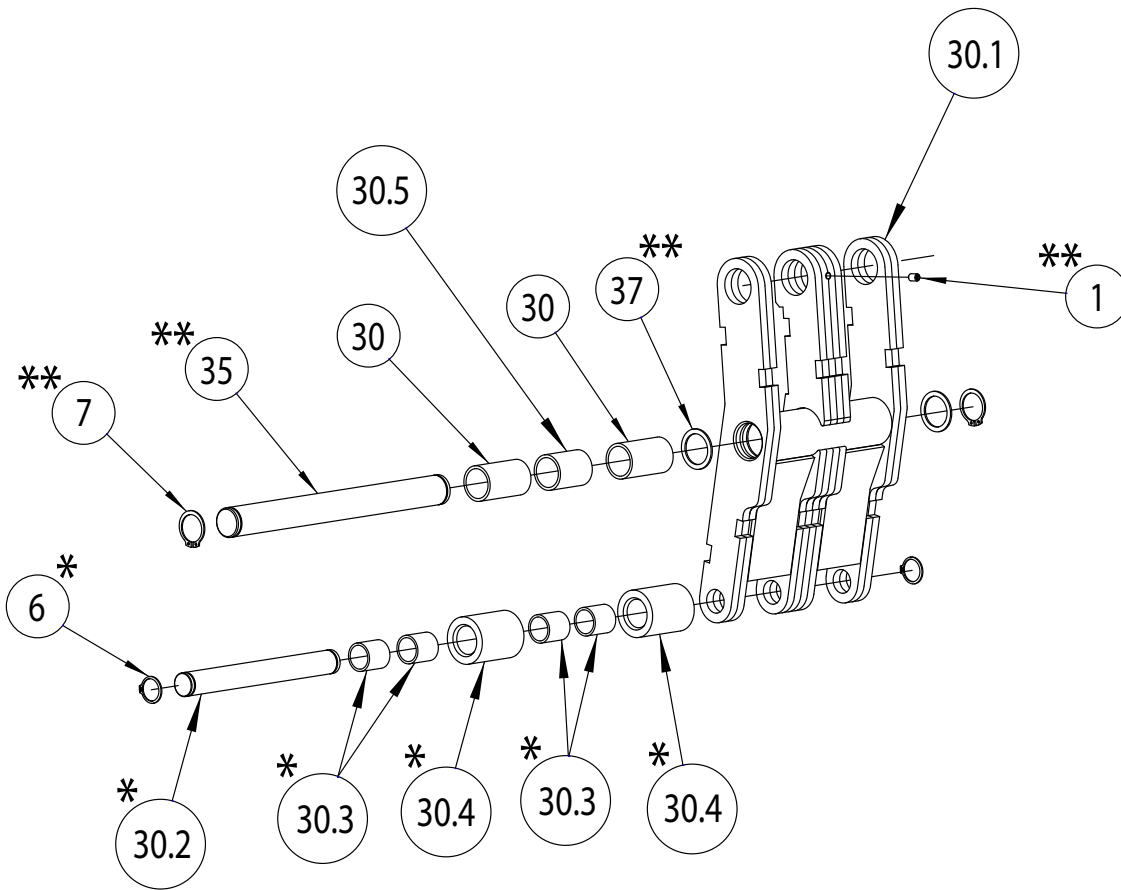
ITEM	PART NO.	DESCRIPTION
10.1	B61-12	E-CLIP 14MM
10.2	XX120007	RAMP WELDMENT
10.3	XX120008	RAMP SUPPORT WELDMENT
10.4	XX130063	RAMP ROLLER SHAFT
10.5	XX130064	RAMP ROLLER SHAFT
10.6	XX140009	RAMP ROLLER
10.7	NP1207	NAME PLATE
10.8	XX130236	SMALL ROLLER

* NOTE: XX100010 REPLACEMENT RAMP ROLLER KIT INCLUDES ANNOTATED ROLLER AND ROLLER SHAFT PARTS FOR FOUR RAMPS.

XX120050 RAMP ASSEMBLY
(DS35EX ONLY)



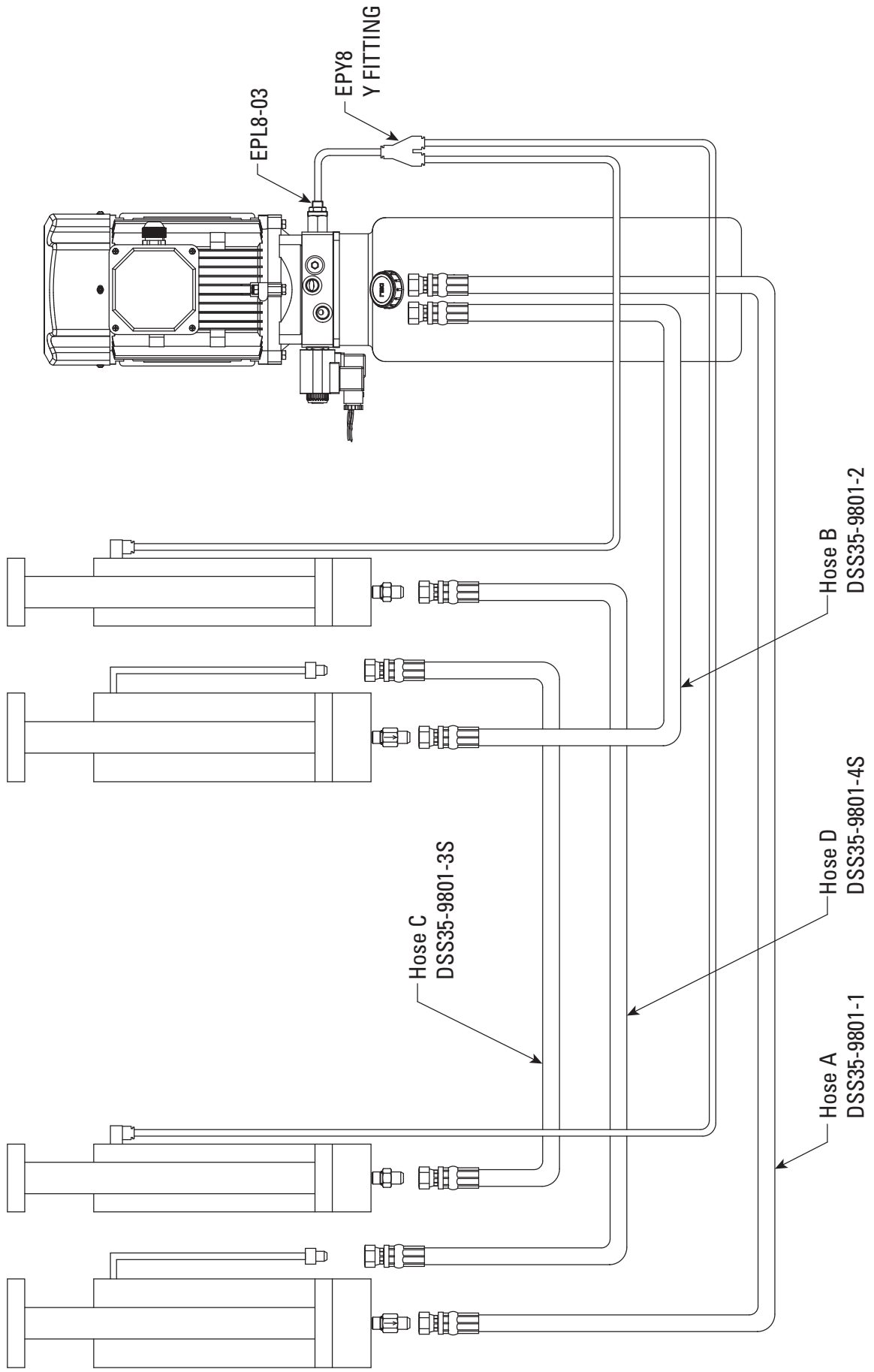
ITEM	QTY	PART NO.	DESCRIPTION
1	2	XX130025	SHORT TUBE
2	2	XX130129	TUBE
3	4	XX130197	SUPPORT PLATE
4	4	XX130198	SUPPORT PLATE
5	1	XX130218	RAMP TOP
6	1	XX130219	SUPPORT PLATE
7	2	XX130221	LONG TUBE



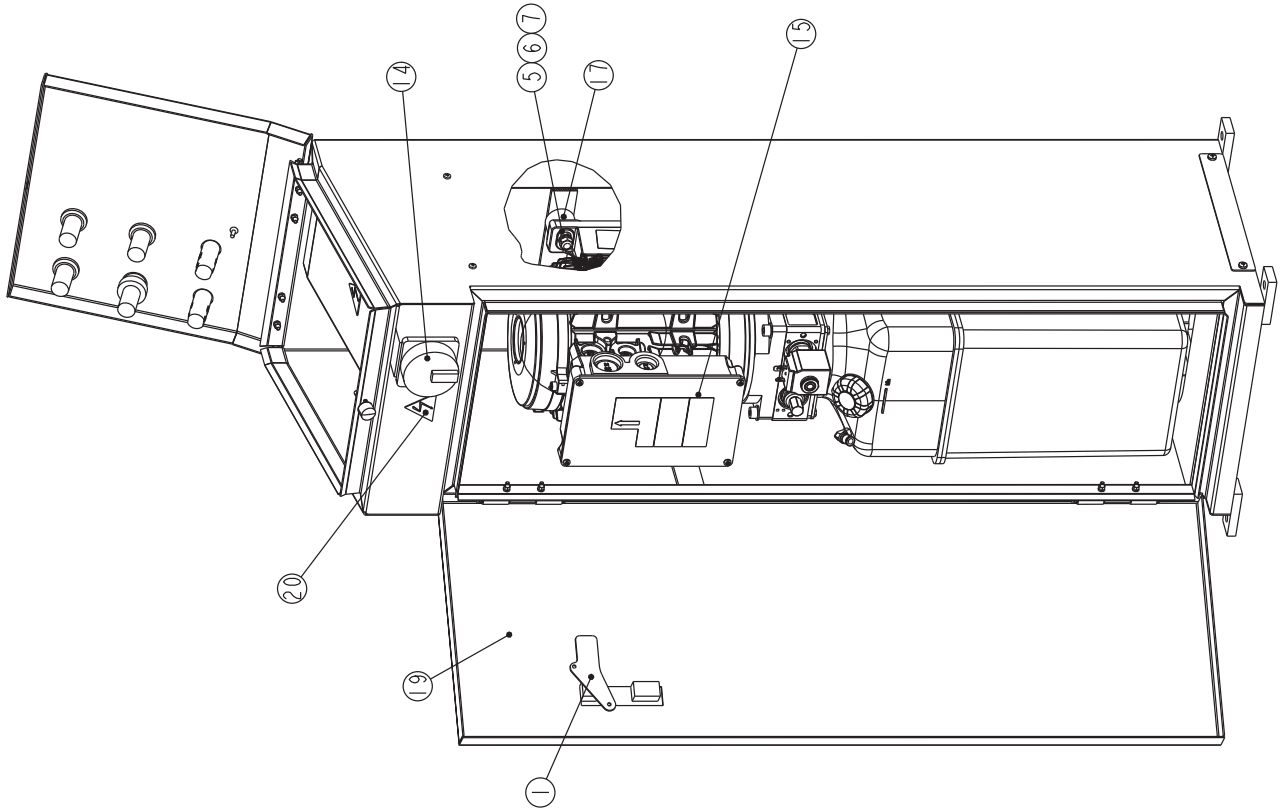
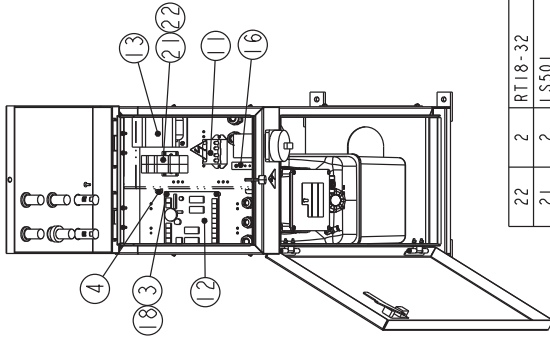
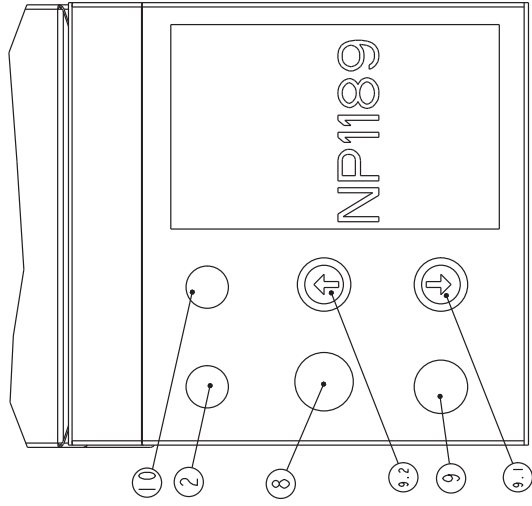
KICKER ASSEMBLY

ITEM	PART NO.	DESCRIPTION
30.1	XX120020	KICKER WELD
30.2	XX130036	ROLLER PIN
30.3	XX140061	BEARING, 20 DIAM. X 25 LONG
30.4	XX140035	ROLLER
30.5	XX140067Y	BEARING, 25 DIAM. X 40 LONG

* NOTE: XX10009 REPLACEMENT ROLLER KIT INCLUDES ANNOTATED ROLLER SHAFT AND BEARING PARTS FOR TWO PLATFORMS.



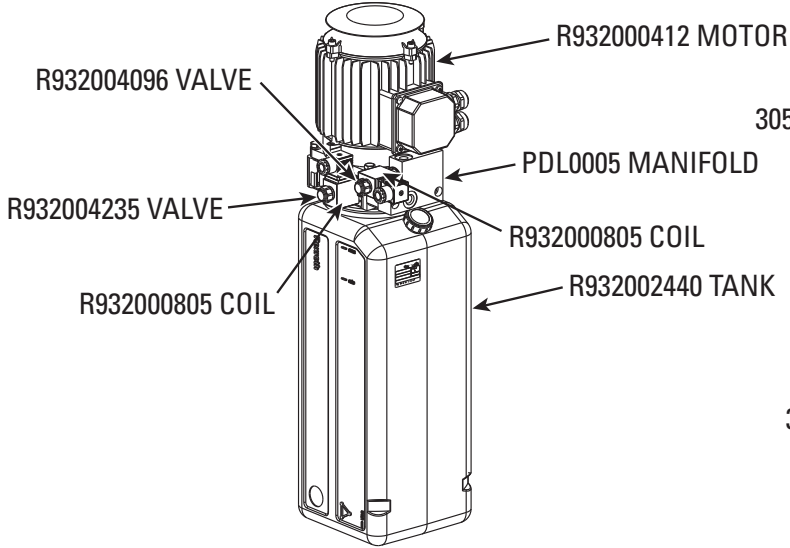
3 PHASE CABINET



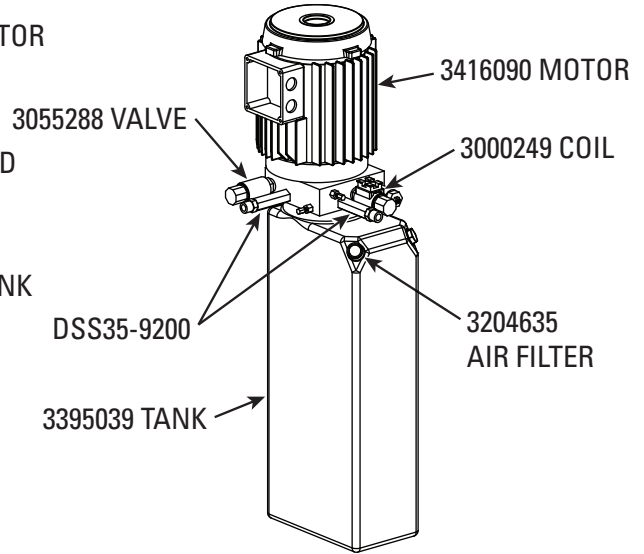
ITEM 序号	QTY 数量	PART NO. 图号	DESCRIPTION 英文描述	NAME 名称	MTL 材料	WT 重量	REMARK 备注
22	2	RT18-32	FUSE (32A)	保险丝			
21	2	LS501	FUSE BLOCK	保险插座			
20	2	C30-B09	DECAL	标签			
19	1	XX110016	CABINET	控制箱装配			
18	4	XG150085C	PIPE(PVC)	减震橡胶			
17	4	PV-2005	BOLT	减震螺栓			
16	1	PV-1030	GROUNDING BAR	接地排			
15	1	P3669	POWER UNIT (DeLi)	漏电站			IPH/230V/50/60HZ
14	1	DO-QJ-00003	POWER SWITCH	电源开关			PI-25/EA/5VB
13	1	DO-QJ-00039	TRANSFORMER	变压器			JBH5-230/380/400/AC/BV
12	1	DO-QJ-00033	PCB BOARD	PCB控制板			DS35-DO-PCB1A
11	1	RGF2BU024L	RELAY	中间继电器			
10	1	AD16-2ZSM/R	BUZZER	蜂鸣器			
9.2	1	DS35-DO-ZP1	RISE BUTTON	按钮			
9.1	1	DS35-DO-ZP2	LOWER BUTTON	按钮			
9	1	DS35-DO-ZP3	BUTTON	按钮			
8	1	DO-05-00026	EMERGENCY SWITCH	急停按钮			CE4T-10R-01
7	8	B41-8	Flat Washer $\varnothing 8$	平垫圈 $\varnothing 8$			
6	8	B40-8	LOCK WASHER $\varnothing 8$	弹垫圈 $\varnothing 8$			
5	8	B30-8	HEX NUT M8	六角螺母 M8			
4	8	B23-4-6	BOLT M4*6	十字槽盘头螺钉M4*6			
3	7	B23-4-16	BOLT M4*16	十字槽盘头螺钉M4*16			
2	1	DO-QJ-00028	LIGHT	指示灯			AD16-22/W23
1	1	AB302	LOCK	门锁			

POWER UNITS

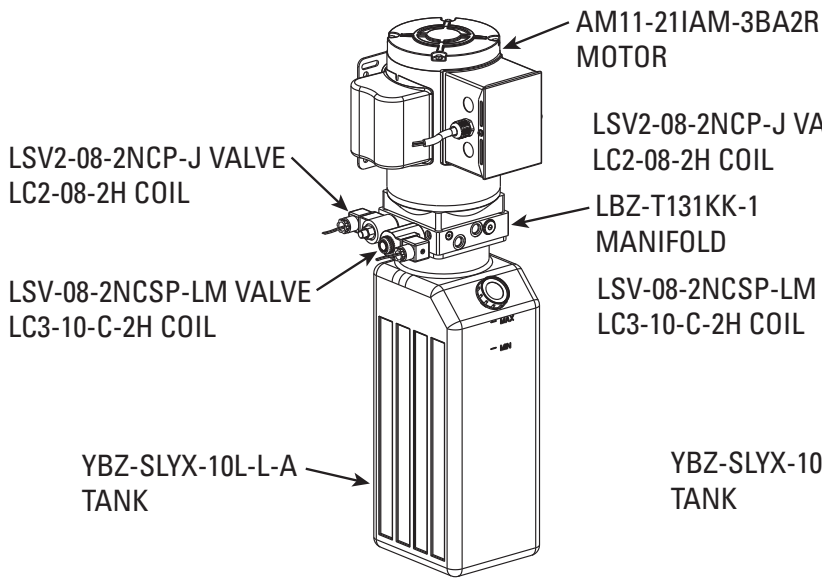
P3670 (BOSCH)



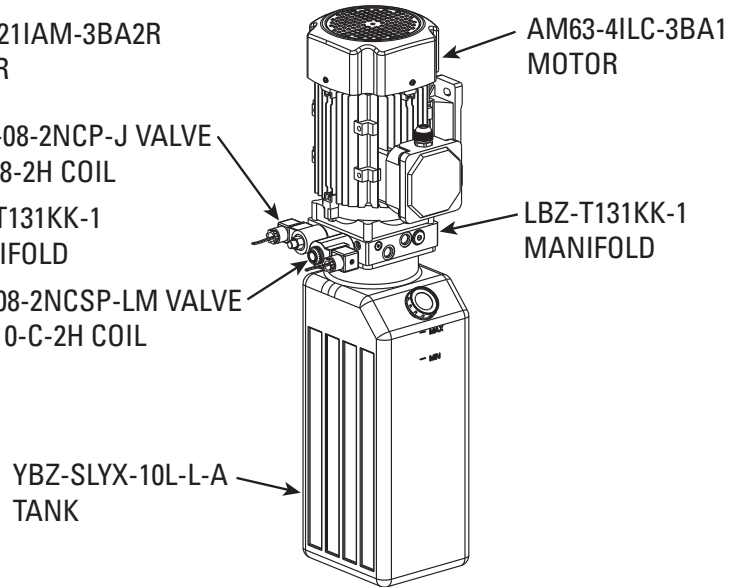
P3555 (HYDAC)



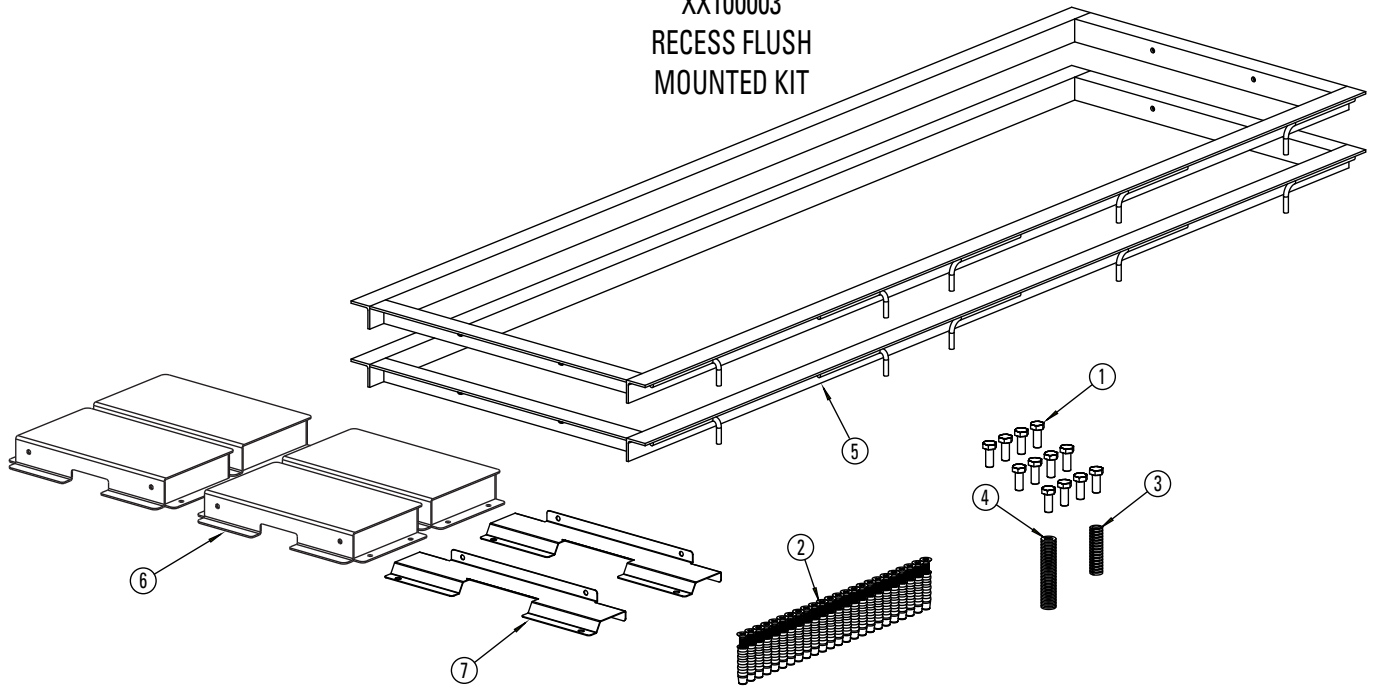
P3669



P3664

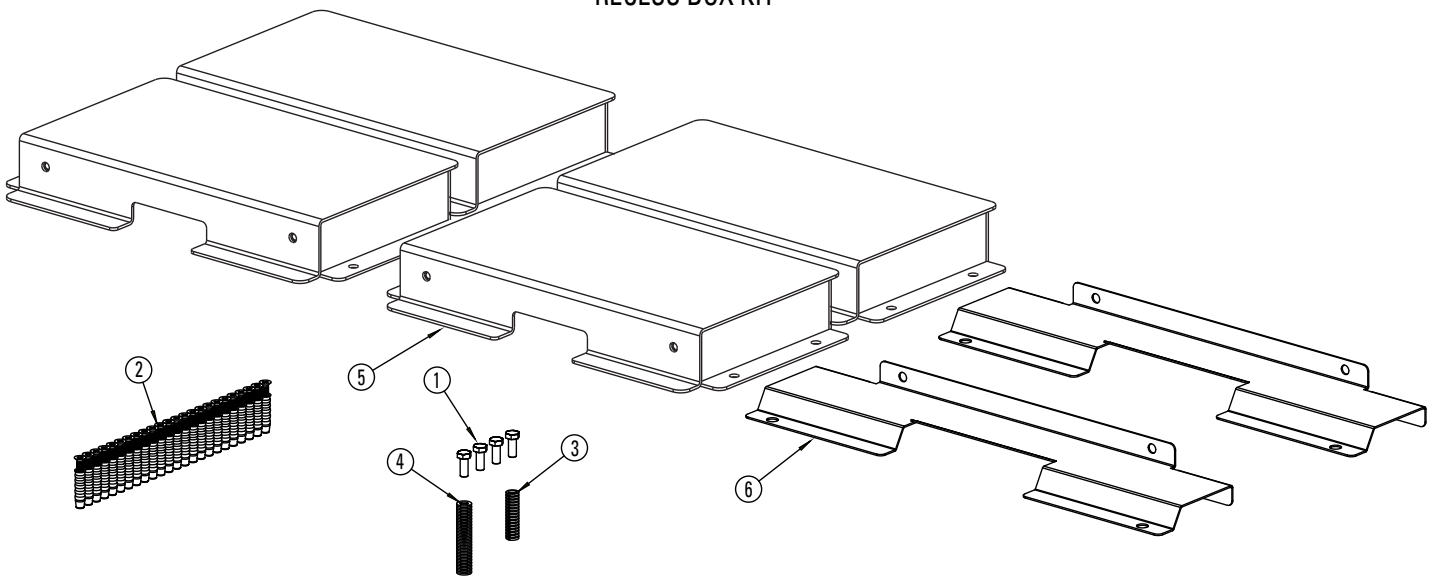


XX100003
RECESS FLUSH
MOUNTED KIT



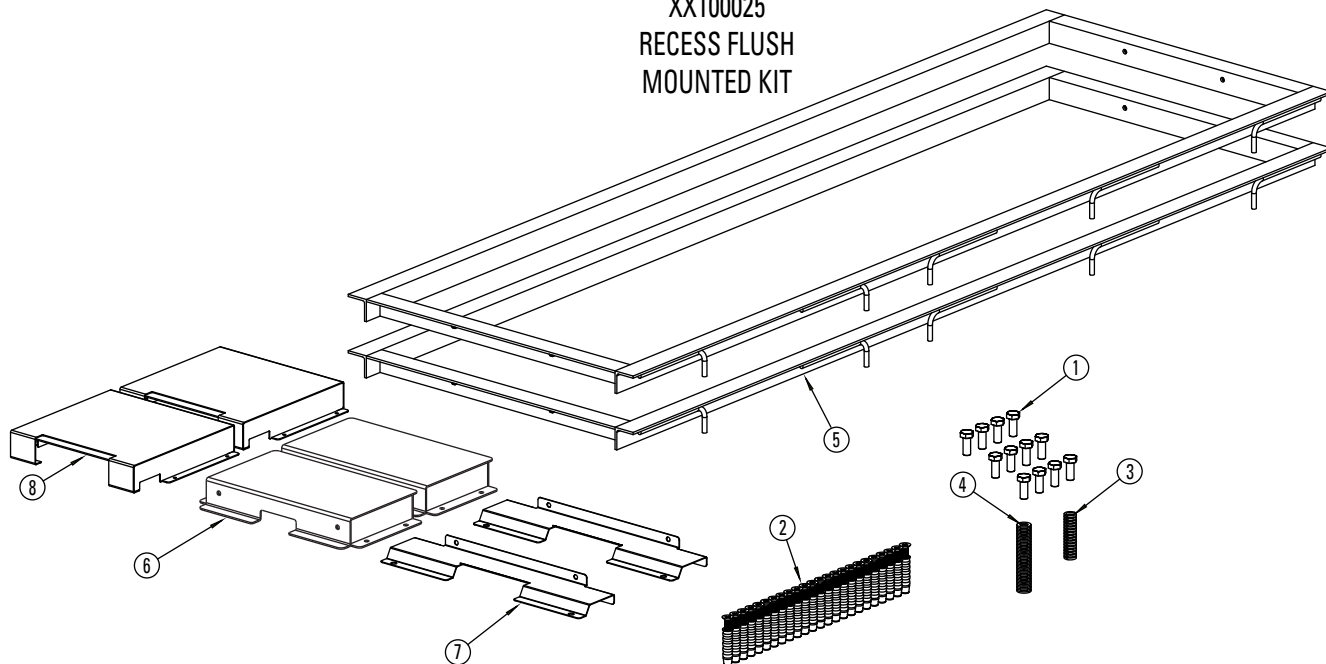
ITEM	QTY	PART NO.	DESCRIPTION
1	4	B10-8-14	BOLT
2	20	B14B-6X40	NYLON ANCHOR
3	4	B40-8	LOCK WASHER $\varnothing 8$
4	24	B41-8	FLAT WASHER $\varnothing 8$
5	2	XX120022	RECESS WELDMENT
6	4	XX120030	RECESS BOX WELDMENT
7	2	XX130200	SHORT HOSE COVER

XX100014
RECESS BOX KIT



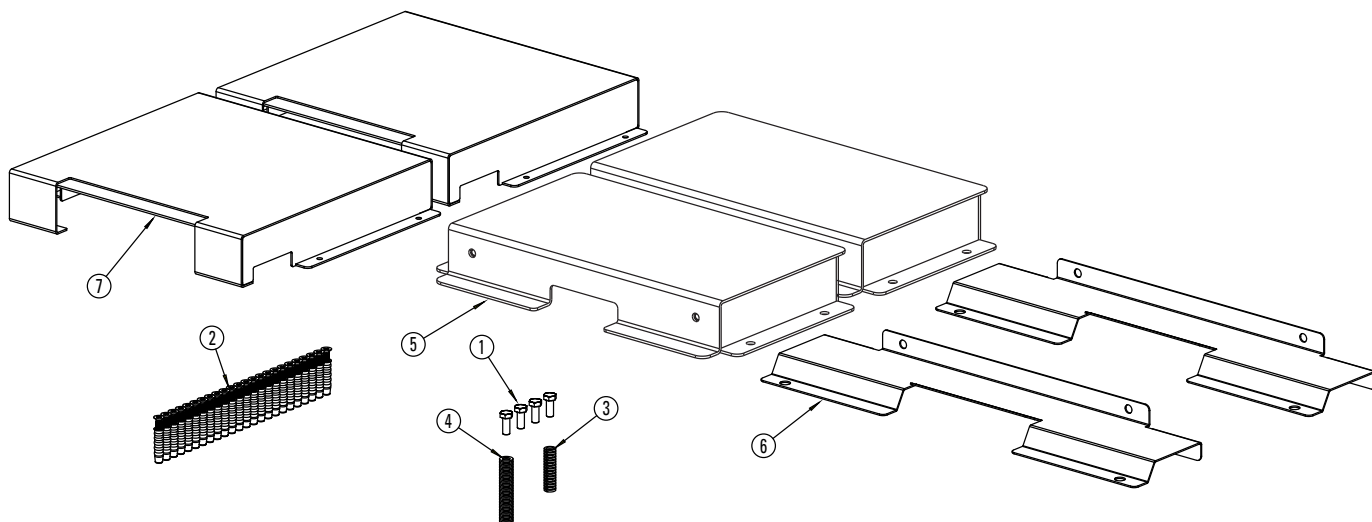
ITEM	QTY	PART NO.	DESCRIPTION
1	4	B10-8-14	BOLT
2	20	B14B-6X40	NYLON ANCHOR
3	4	B40-8	LOCK WASHER $\varnothing 8$
4	24	B41-8	FLAT WASHER $\varnothing 8$
5	4	XX120030	RECESS BOX WELDMENT
6	2	XX130200	SHORT HOSE COVER

XX100025
RECESS FLUSH
MOUNTED KIT

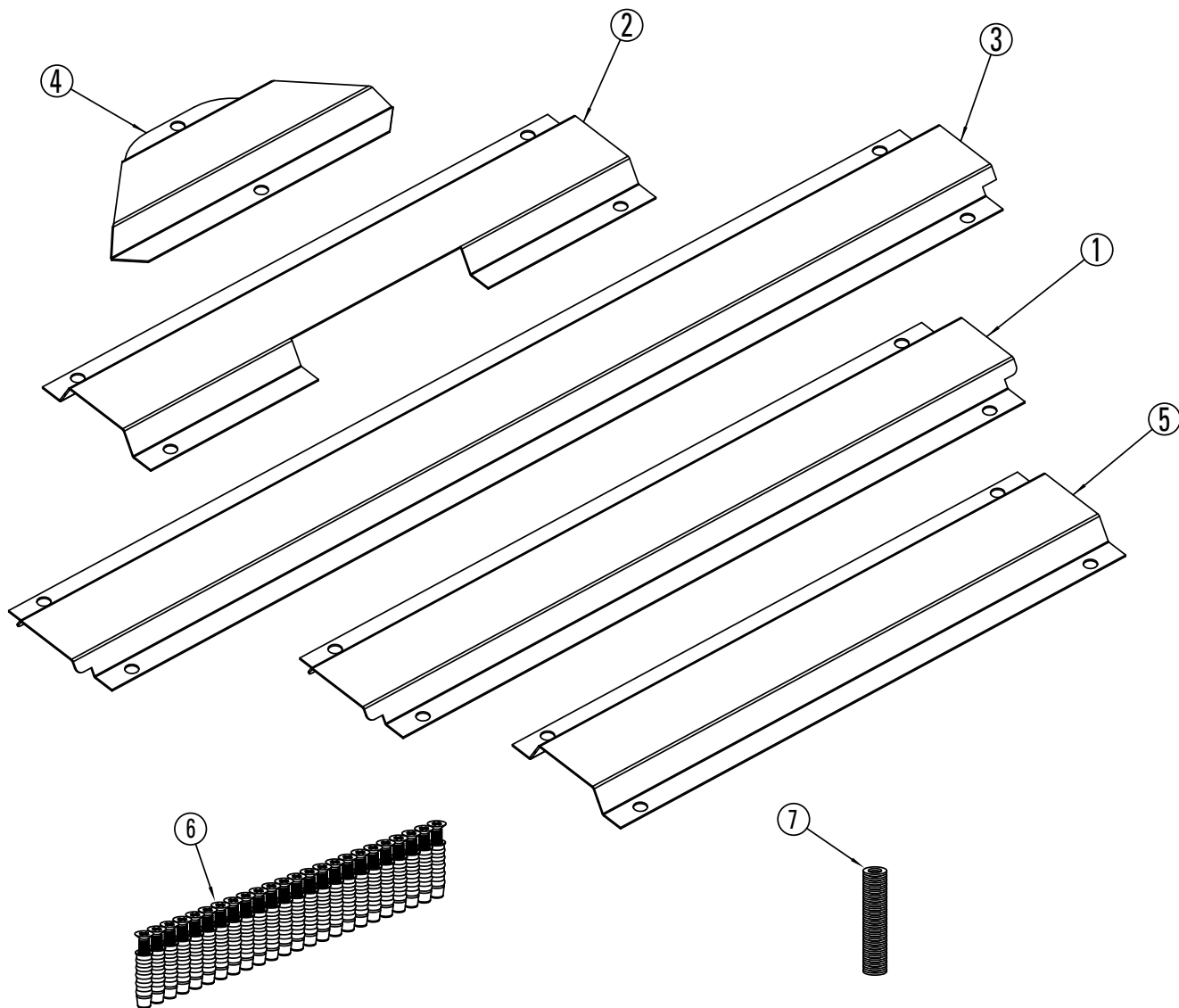


ITEM	QTY	PART NO.	DESCRIPTION
1	4	B10-8-14	BOLT
2	20	B14B-6X40	NYLON ANCHOR
3	4	B40-8	LOCK WASHER $\varnothing 8$
4	24	B41-8	FLAT WASHER $\varnothing 8$
5	2	XX120055	RECESS WELDMENT
6	4	XX120030	RECESS BOX WELDMENT
7	2	XX130200	SHORT HOSE COVER
8	2	XX120060	RECESS BOX DS35EX

XX100024
RECESS BOX KIT



ITEM	QTY	PART NO.	DESCRIPTION
1	4	B10-8-14	BOLT
2	20	B14B-6X40	NYLON ANCHOR
3	4	B40-8	LOCK WASHER $\varnothing 8$
4	24	B41-8	FLAT WASHER $\varnothing 8$
5	2	XX120030	RECESS BOX WELDMENT
6	2	XX130200	SHORT HOSE COVER
7	2	XX120060	RECESS BOX DS35EX



ITEM	QTY	PART NO.	DESCRIPTION
1	2	XX130091ZN	HOSE COVER
2	2	XX130092ZN	HOSE COVER
3	1	XX130111ZN	HOSE COVER
4	1	XX130141ZN	HOSE COVER 45°
5	1	XX130156ZN	HOSE COVER
6	26	B14B-6X40	NYLON ANCHORS
7	26	B41-8	FLAT WASHER, Ø 8

Rotary World Headquarters

2700 Lanier Drive
Madison, IN 47250, USA
www.rotarylif.com

North America Contact Information

Tech. Support:

p 800.445.5438
f 800.578.5438
e userlink@rotarylif.com

Sales: p 800.640.5438

f 800.578.5438
e userlink@rotarylif.com

World Wide Contact Information

World Headquarters/USA: 1.812.273.1622
Canada: 1.905.812.9920
European Headquarters/Germany: +49.771.9233.0
United Kingdom: +44.178.747.7711
Australasia: +60.3.7660.0285
Latin America / Caribbean: +54.3488.431.608
Middle East / Northern Africa: +49.771.9233.0

© Vehicle Service GroupSM

Printed in U.S.A., All Rights Reserved. Unless otherwise indicated, ROTARY, and all other trademarks are property of Dover Corporation and its affiliates.

