



World Leader in Lift Productivity

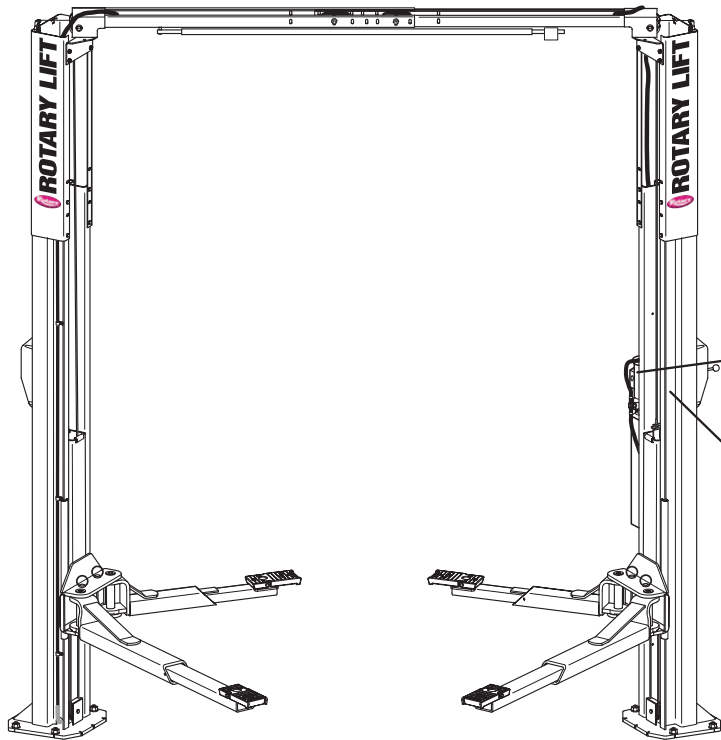
SPOA7, SPOA9, SPO9

(400 Series Lifts)

SPOA7 Capacity 7,000 lbs.

SPOA9 Capacity 9,000 lbs.

SPO9 Capacity 9,000 lbs.



GHS™	PT#	_____	Nº	_____
	PH	_____	MAX AMB	_____
DUTY		_____	INS _____	
THERMAL PROTECTION _____				
HP		_____	Kw _____	
AMPS		_____	VOLTS _____	
HZ		_____	RPM	_____
IP		_____		
<small>CE</small> <small>WARNING: MOTOR MUST BE GROUNDED IN ACCORDANCE WITH LOCAL AND NATIONAL ELECTRICAL CODES TO PREVENT SERIOUS ELECTRICAL SHOCKS.</small>				

Rotary		IMPORTANT	
<small>800-445-5438</small>		<small>DO NOT REMOVE THIS TAG</small>	
<small>WARRANTY IDENTIFICATION</small>		<small>NPS3</small>	
MODEL:		CAP. LBS:	
SERIAL NUMBER		SERIAL NUMBER	
<small>MANUFACTURED UNDER ONE OF THESE PATENTS</small>			
<small>5009287</small>			
Rotary Lift		A DOVER COMPANY Madison, IN	
<small>MADE IN THE USA</small>			

PARTS BREAKDOWN

IMPORTANT: When ordering parts or requesting service always give exact model and power unit serial number. Model number is shown on nameplate attached to power unit column. Power unit serial number is located on side of power unit.

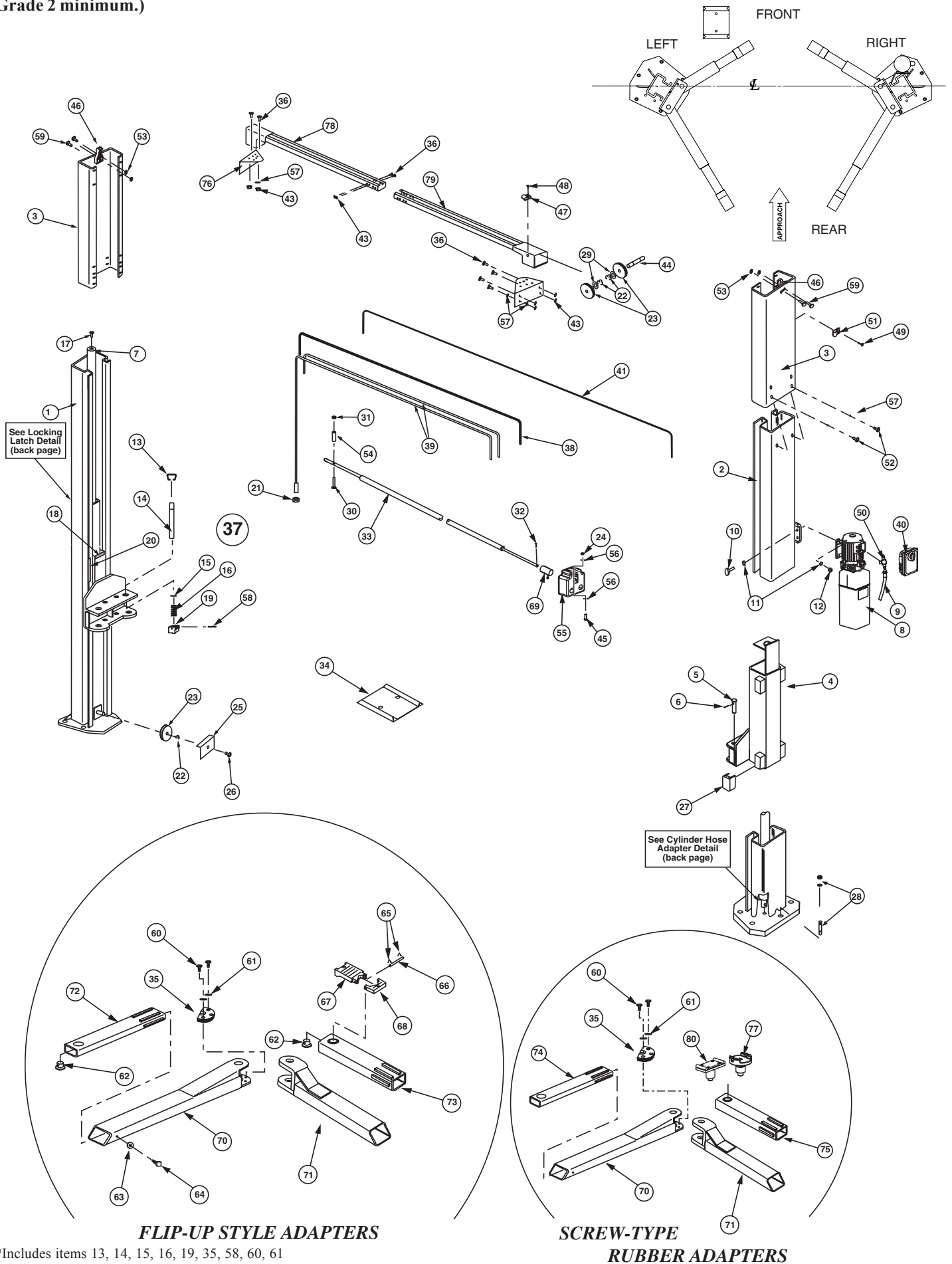
OWNERS RECORD Complete information at right and keep in a safe place.	Date Installed _____
	Installed in Bay # _____
	Power Unit Serial # _____
	Power Unit Model # _____
	Lift Serial # _____
	Lift Model # _____
NOTE: For replacement parts -See your nearest Rotary Parts Distributor.	

PB 2-2-25-2
Rev. B 05/20/2003

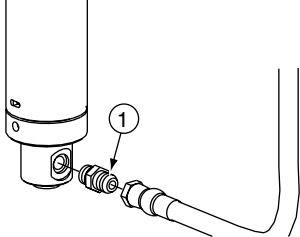
1. L.H. Column Weldment	N719	41. Locking Latch Cable	FJ7594-1
2. R.H. Column Weldment	N729	EH-1 & EH-2 for SPOA7/SPOA9/SPO9	FJ7595-1
3. Column Extension		EH-4 for SPO9	FJ7600
SPOA7 & SPO9	N45	42. Number Not Used	N/A
SPOA9	N410	43. 3/8"-16NC Flanged Locknut	40664
EH-1 MODEL SPOA7/SPOA9/SPO9	N46	44. Sheave Shaft	FJ7444-8
EH-2 MODEL SPOA7/SPOA9/SPO9	N47	45. 1/4"-20NC x 3/4" HHCS Grade 5	40099
EH-4 MODEL SPO9	N49	46. Latch Cable Guide	N69
4. Carriage Yoke Weldment	N89	47. Hose Clip (4 req'd-Overhead)	FJ7206
5. Arm Pin	FJ7838	48. #12 Type B x 1/2" Lg. Sl. HWHTS	40057
6. 3/16" x 2" Long Cotter Pin	41250	49. 5/16"-18NC x 3/8" PHMS	40227
7. Hydraulic Cylinder	N342	50. Branch Tee	FJ7668
8. Power Unit		51. Hose Clip (6 req'd-Column)	FJ7499
SPOA7 1Ø 60Hz	P1352	52. 3/8"-16NC x 1/2" Flanged HHCS	40122
SPOA7 1Ø 50 Hz	P1355	53. 1/4"-20NC Flanged Locknut	40641
SPOA7 3Ø	P1353	54. 3/4" Spacer	FJ7871
SPO9/SPOA9 1Ø 60Hz	P1302	55. Cutoff Switch Assembly	
SPO9/SPOA9 1Ø 50Hz	P1389	1Ø	N413
SPO9/SPOA9 3Ø	P1347	3Ø	N432
9. Power Unit Hose	FJ837	Cutoff Switch	
10. 5/16"-18NC x 1-1/2" Bolt (Full Thread)	40271	1Ø	N413-1
11. 5/16" External Tooth Lockwasher	40854	3Ø	N432-1
12. 5/16"-18NC Hex Nut	40670	56. 1/4" External Tooth Lockwasher	40779
13. Actuator Pin Handle	FJ7985-1	57. 3/8" External Tooth Lockwasher	40845
14. Actuator Pin	N121-1	58. Spring Pin-1/4" dia. x 1-1/2" Lg. (Stainless)	14427
15. Retaining Pin	N119-3	59. 1/4"-20NC x 1" HHCS Grade 5	40108
16. Arm Restraint Spring	FJ7656-2	60. 3/8"-16NC x 1-1/2" HHCS Grade 5	40200
17. Bleeder Screw (Specify Manufacturer)	N/A	61. 3/8" Spring Washers	40818
18. Carriage Bumper	FJ7391-2	62. Adapter Swivel Pin	FJ79-6
19. 120T Gear Block	FJ7749	63. 3/8" Internal Tooth Washer	40843
20. Approach bumper	FJ7391-1	64. 3/8"-16NC x 5/8" Lg. HHCS Grade 8	40155
21. 1/2"-13NC Hex Lock Nut	40703	65. 3/32" Hog Ring for 1/2" Shaft (8 req'd)	FJ671-6
22. Truarc #5304-75 Klipping for 3/4" Shaft	41411	66. Adapter Pin	FJ671-3
23. Sheave	FJ7116-1	67. High Step Adapter	FJ671-1
24. 1/4"-20NC Zinc Hex Nut	40627	68. Low Step Adapter	FJ671-2
25. Sheave Cover	N119-1	69. Actuator Assembly	N433
26. 1/4"-20NC x 3/8" Lg. PHMS Plated (2 pcs.)	40063	70. Rear Outer Arm Weldment	
27. Slider block	FJ7360	SPOA7	N239-1
28. 3/4" Concrete Anchor	FJ7380	SPOA9	N238-1
29. 1-1/2" O.D. x .760-.770" I.D. x .045" Bushing	41388	SPO9	N241-1
30. 1Ø 1/4"-20NC x 2" HHCS	40109	71. Front Outer Arm Weldment	
3Ø 1/4"-20NC x 2-3/4" HHCS	40114	SPOA7	N240-1
31. 1/4"-20NC Insert Locknut	40642	SPOA9	N237-1
32. 1/8" x 1" Lg. Cotter Pin	41200	SPO9	N241-1
33. Switch Bar Assembly		72. Rear Inner Arm Weldment	
1Ø	N415	SPOA7	N239-2
3Ø	N434	SPOA9	FJ7493-6
34. Spotting Wheel Dish Kit	FF729	SPO9	N241-2
35. Restraint Gear	FJ7750	73. Front Inner Arm Weldment	
36. 3/8"-16 NC x 3/4" Long Flanged HHCS	40124	SPOA7	FJ7256-2
*37. Arm Restraint Kit (1 arm)	*FJ7888	SPOA9	FJ7491-6
38. Overhead Hose		SPO9	N241-2
SPOA7	FJ838	74. Rear Inner Arm Weldment (R/A)	
SPOA7 EH-1 MODEL	FJ840	SPOA7	N2101-1
SPOA7 EH-2 MODEL	FJ841	SPOA9	N2102-1
SPOA9/SPO9	FJ839	SPO9	N2104-1
SPOA9/SPO9 EH-1 MODEL	FJ842	75. Front Inner Arm Weldment (R/A)	
SPOA9/SPO9 EH-2 MODEL	FJ843	SPOA7	N2100-1
SPO9 EH-4 MODEL	FJ845	SPOA9	N2103-1
39. Equalizer Cables		SPO9	N2104-1
SPOA7	FJ7449	76. Column Mounting Bracket	N439
SPOA7 EH-1 MODEL	FJ7545	77. Adapter Assembly	FJ6161
SPOA7 EH-2 MODEL	FJ7546	Rubber Pad	FJ6161-1
SPOA9	N33	78. L.H. Overhead Weldment (Outer)	N437-1
SPOA9 EH-1 MODEL	N34	79. R.H. Overhead Weldment (Inner)	N438-1
SPOA9 EH-2 MODEL	N35	80. Adapter Assembly	FJ6159
SPO9	FJ7450	Rubber Adapter	FJ6158-4
SPO9 EH-1 MODEL	FJ7547		
SPO9 EH-2 MODEL	FJ7528		
SPO9 EH-4 MODEL	FJ7601		
40. Capacitor Box	FA7147-1		
Capacitor Box Cover Plate	FA7203-1		
Drum Switch	FA7205		
Drum Switch Handle	FA7205-1		
M5 x 10 PHMS, Plated	40275		

NOTE: Standard hardware items should be purchased from local hardware source when possible.

CAUTION Care should be taken to use hardware equal to that specified in this listing. (If grade is not specified, use Grade 2 minimum.)



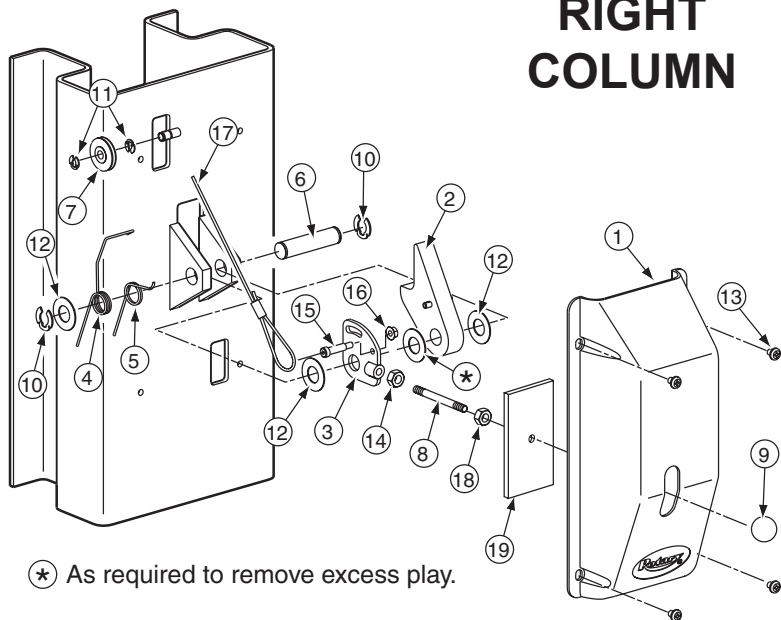
*Includes items 13, 14, 15, 16, 19, 35, 58, 60, 61



CYLINDER HOSE ADAPTER DETAIL

ITEM	DESCRIPTION	PART
1	Straight Adapter	FJ7352-3

RIGHT COLUMN

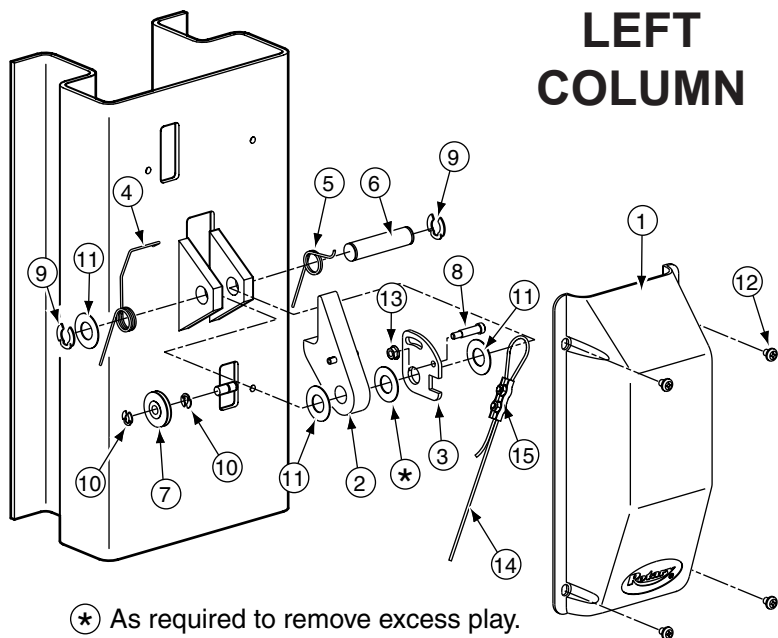


⊛ As required to remove excess play.

LOCKING LATCH DETAIL PARTS LIST

ITEM	DESCRIPTION	PART
1	Control Side Cover	FJ7452
2	Locking Latch Dog	FJ7382-7
3	Control Plate	FJ7594-2
4	Spring	FJ7566-10
5	Spring	FJ7382-9
6	Latch Shaft	FJ7382-34
7	Locking Latch Sheave	FJ7322
8	Handle	FJ7382-18
9	Ball Handle	FC134-91
10	Truarc Klipring #5304-75 for 3/4" Shaft	41411
11	Truarc Klipring #5304-37 for 3/8" Shaft	41410
12	1-1/2" O.D. x 3/4" I.D. x .045" Mach. Bush.	41388
13	5/16"-18NC x 3/8" Lg. PHMS	40227
14	3/8" - 16NC Hex Jam Nut	40658
15	Shoulder Bolt, 5/16"-20 NC x 1-1/4"	40220
16	Flanged Locknut, 1/4" - 20NC	41423
17	Locking Latch Cable	FJ7595-1
	EH-4 for SPO9	FJ7600
18	1/2"-13NC Jam Nut	40700
19	Slot Cover	N617

LEFT COLUMN



⊛ As required to remove excess play.

LOCKING LATCH DETAIL PARTS LIST

ITEM	DESCRIPTION	PART
1	Latch Cover	FJ7451
2	Locking Latch Dog	FJ7382-7
3	Control Plate	FJ7382-5
4	Spring	FJ7566-10
5	Spring	FJ7382-9
6	Latch Shaft	FJ7382-34
7	Locking Latch Sheave	FJ7322
8	Shoulder Bolt 5/16"-20NC x 1-1/4"	40220
9	Truarc Klipring #5304-75 for 3/4" Shaft	41411
10	Truarc Klipring #5304-37 for 3/8" Shaft	41410
11	1-1/2" O.D. x 3/4" I.D. x .045" Mach. Bush.	41388
12	5/16"-18NC x 3/8" Lg. PHMS	40227
13	Flanged Locknut, 1/4" - 20NC	41423
14	Locking Latch Cable	FJ7595-1
	EH-4 for SPO9	FJ7600
15	Latch Cable Clamp	N63-1

World Headquarters:
Rotary Lift
 A **DOVER** COMPANY
 2700 Lanier Drive
 Madison, Indiana USA
 Phone: 1.800.445.5438
 Phone: 1.812.273.1622
 Fax: 1.800.578.5438
 Fax: 1.812.273.6502
 userlink@rotarylif.com
 www.rotarylif.com

Italy:
 (Regional Sales Office)
Rotary Lift Europe S.r.l.
 Cadriano (BO)
 Phone: +39.051.763384
 Fax: +39.051.763395
 info@rotaryeurope.com

Germany:
 (European Sales Headquarters)
Rotary Lift Germany GmbH
 Bensheim
 Phone: +49.6251.582.6420
 Fax: +49.6251.582.6422
 sales@rotarylif.de

United Kingdom:
 (Regional Sales Office)
Rotary Lift (UK) LTD.
 Halstead, Essex
 Phone: +44.178.747.7711
 Fax: +44.178.747.7720
 sales@rotarylif.idps.co.uk

Canada:
 (Regional Sales Office)
Rotary Lift Canada
 Mississauga, Ontario
 Phone: 905.812.9920
 Fax: 905.812.9719
 canada@rotarylif.com

Austral-Asia:
 (Regional Sales Office)
Rotary Lift Austral/Asia
 Petaling Jaya, Malaysia
 Phone: +60.3.7660.0285
 Fax: +60.3.7660.0289
 rlim@rotarylif.com

