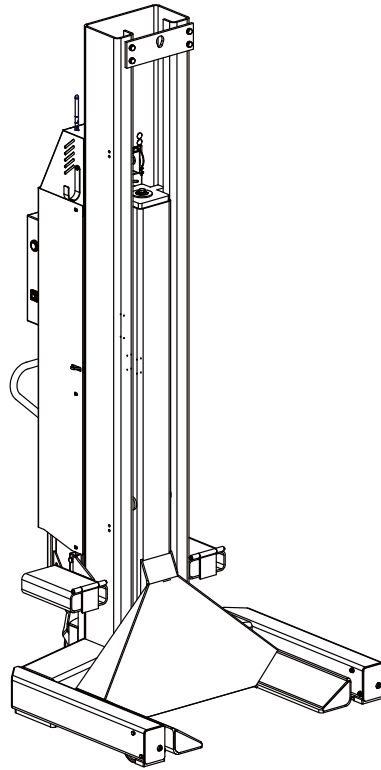




**Parts Breakdown
Mobile Column Lift
24V DC Powered**

**4 Column Lift Capacity 72,000 lbs.
6 Column Lift Capacity 108,000 lbs.
18,000 lbs. per column**



IMPORTANT: When ordering parts or requesting service always give exact model and power unit serial number. Model number is shown on nameplate attached to side of column. Power unit serial number is located on front of power unit.

OWNERS RECORD
Complete information
at right and keep in
a safe place.

Date Installed _____

Installed in Bay # _____

Power Unit Serial # _____

Power Unit Model # _____

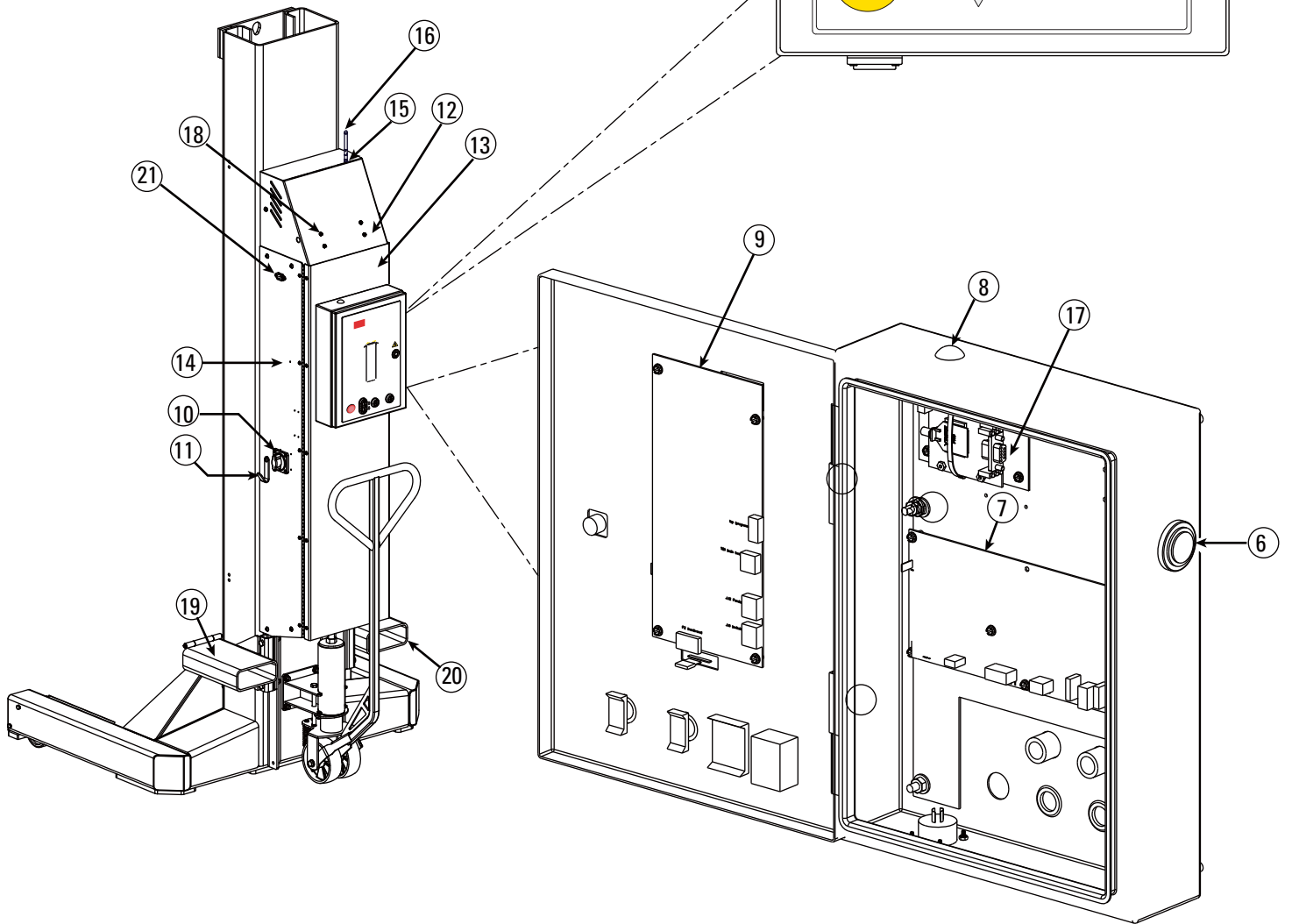
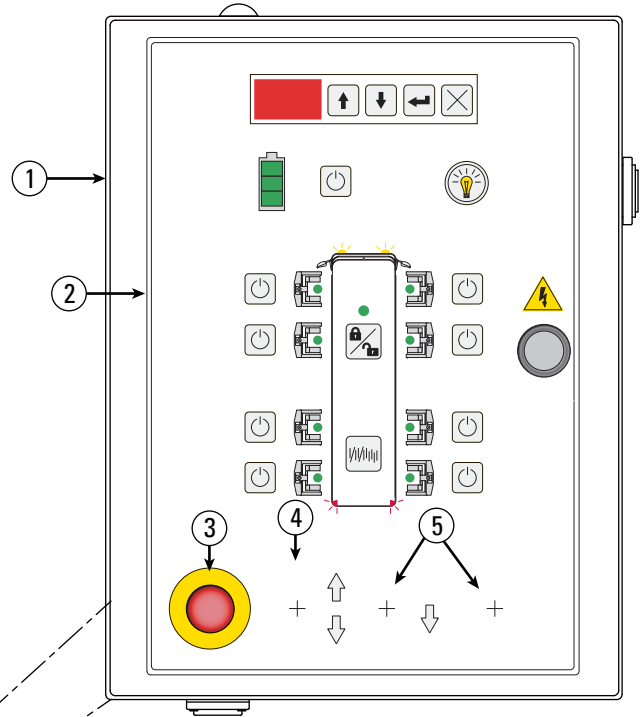
Lift Serial # _____

Lift Model # _____

NOTE: For replacement parts -See your nearest Forward Parts Distributor.

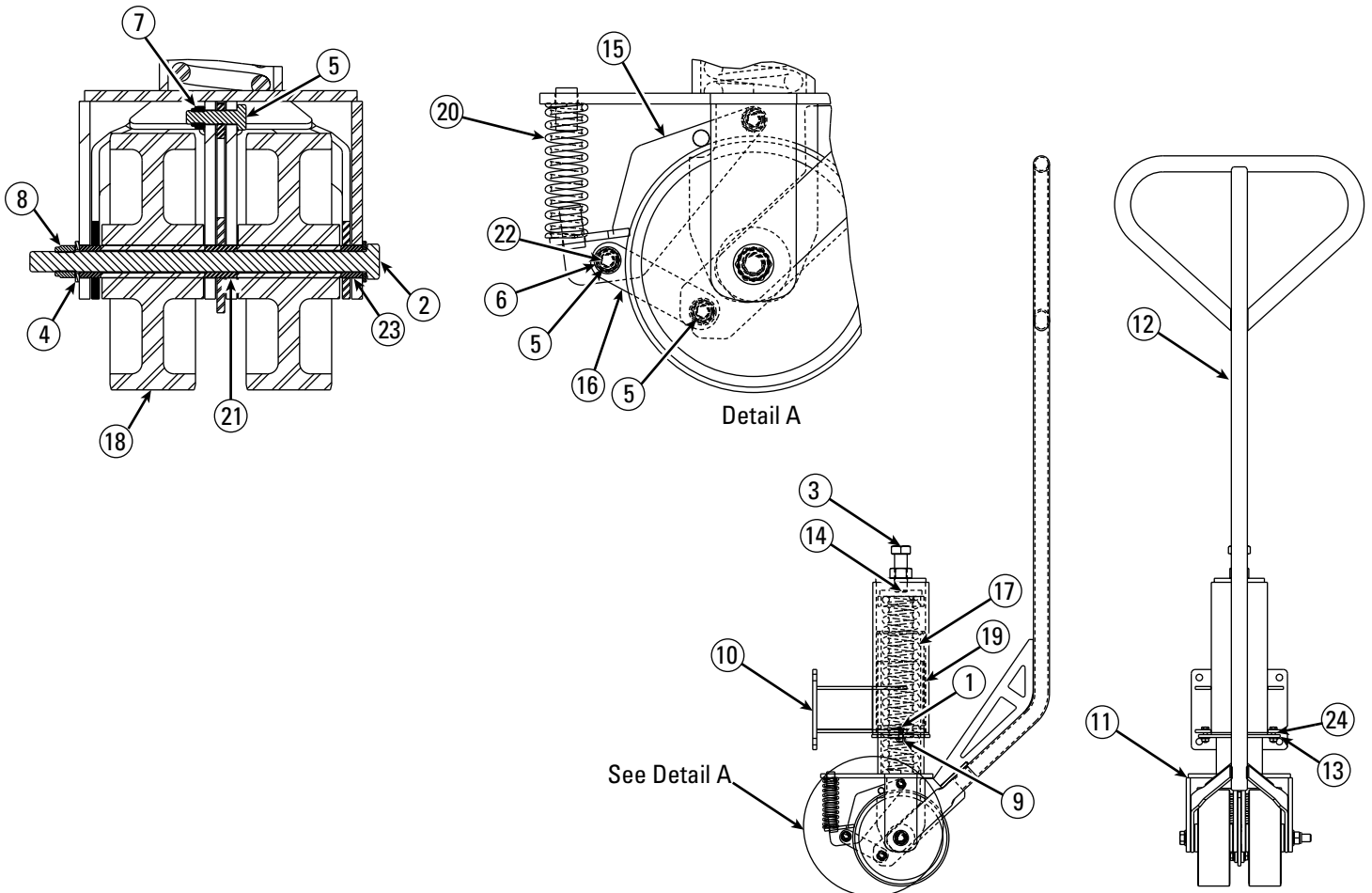
| Item | Description | Part No. |
|------|---------------------------------------|---------------|
| 1 | Control Panel Assembly | M110062 |
| 2 | Membrane Touchpad | FA7964 |
| 3 | E-Stop Actuator | FA7962 |
| 4 | Dual Push Button "Moeller" | FA7958-22 |
| | Dual Push Button "Sprecher + Schuh" | Z150047 |
| | Switch N.O. "Moeller" | M130091 |
| | Switch N.O. "Sprecher + Schuh" | EXF0509121006 |
| 5 | Single Push Button "Moeller" | FA7968 |
| | Single Push Button "Sprecher + Schuh" | M130152 |
| | Switch N.O. "Moeller" | M130091 |
| | Switch N.O. "Sprecher + Schuh" | EXF0509121006 |
| 6 | Audible Single Device | FA7974 |
| 7 | Control Board | FA7965 |
| 8 | 1/2" Hole Plug | FA7958-9 |
| 9 | UI Board | FA7963 |
| 10 | DC Disconnect Switch | FA7958-4 |
| 11 | Cord Hook | M120189 |
| 12 | Upper Cover Assembly | M110060 |
| 13 | Cover Weldment | M120163 |
| 14 | Side Panel Assembly | M110061 |
| 15 | RP SMA Jack Bulkhead | M130072 |
| 16 | RF Antenna | M130074 |
| 17 | Modem Assembly | M140032 |

| | | |
|----|---------------------------------------|---------|
| 18 | Self Tapping Screw | M130132 |
| 19 | Left Hand Fork Lift Bracket Assembly | M110029 |
| 20 | Right Hand Fork Lift Bracket Assembly | M110030 |
| 21 | Charger Internal Power Cord | M130115 |

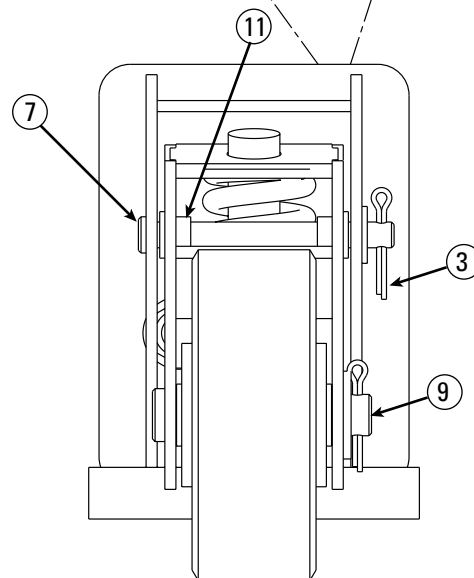
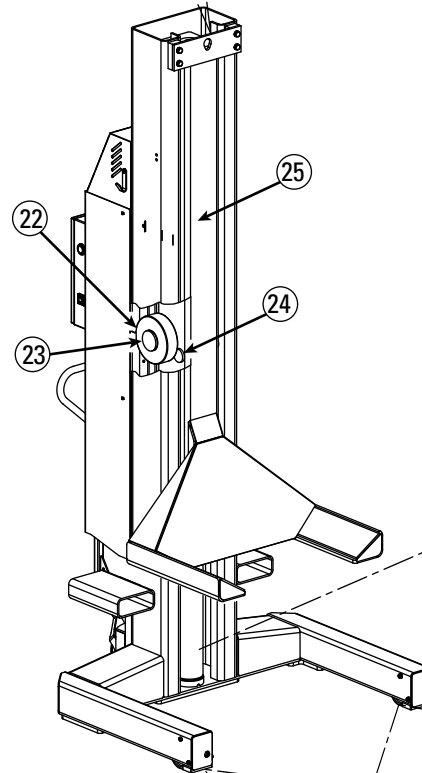
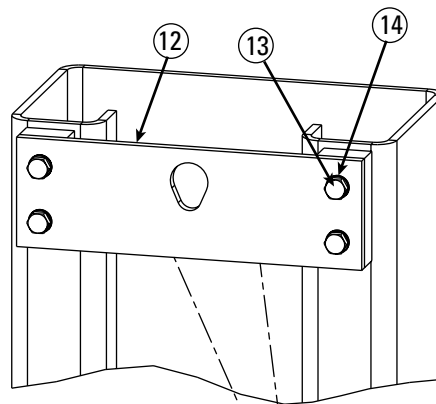


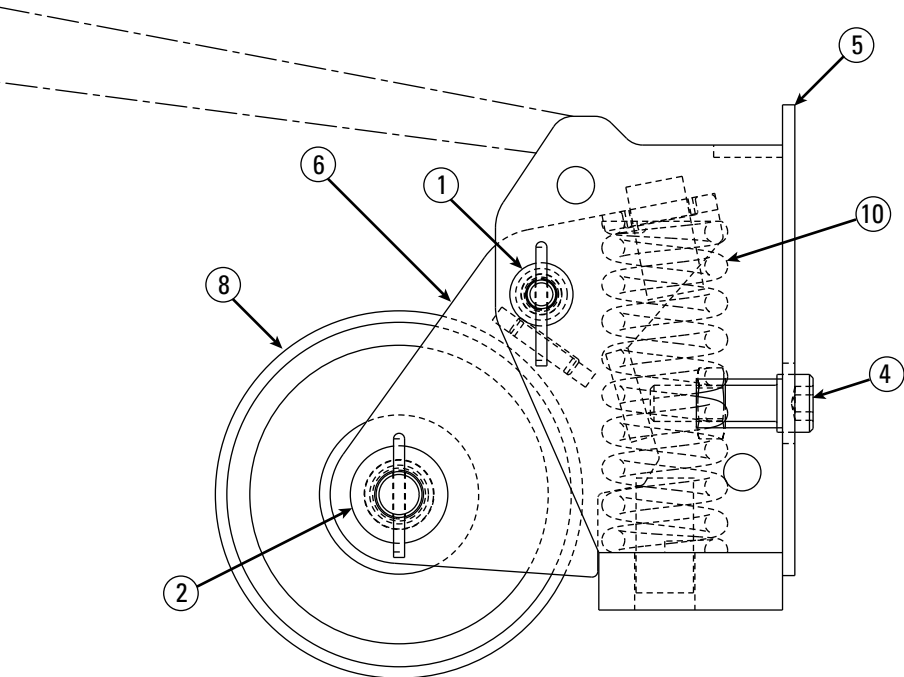
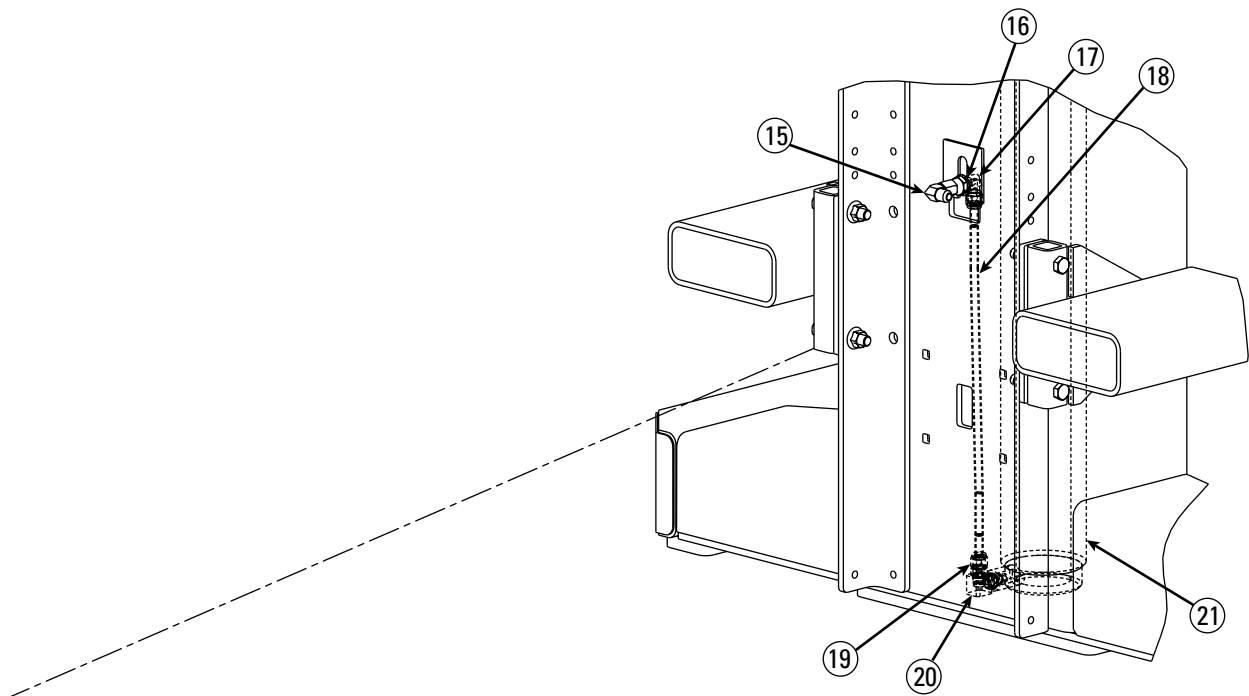
| Item | Description | Part No. |
|------|---|----------|
| 1 | M6 x 1.0 x 20mm Lg. HHCS, PLTD | 41413 |
| 2 | M12 x 1.75 x 200mm Lg. HHCS Grade 8.8, PLTD | 41483 |
| 3 | M20 x 2.5 x 60mm HHCS Full Thread Grade 8.8, PLTD | M130129 |
| 4 | M12 Flat Washer | 41520 |
| 5 | M8 x 125 x 30mm Lg. HHCS | 41539 |
| 6 | M8 Flat Washer | 41548 |
| 7 | M8 x 125 Hex Nylon Insert Locknut | 41563 |
| 8 | M12 x 1.75 Hex Nylon Insert Lock Nut PLTD | 41568 |
| 9 | M6 x 1.0 Hex FLGD WZLock Nut | 41618 |
| 10 | Caster Mounting Weldment | M120049Y |

| | | |
|----|------------------------|----------|
| 11 | Caster Clevis Weldment | M120052Y |
| 12 | Handle Weldment | M120058Y |
| 13 | Caster Retainer Plate | M120075Y |
| 14 | Spring Cap Weldment | M120077Y |
| 15 | Brake Weldment | M120080Y |
| 16 | Link Arm | M120084Y |
| 17 | Caster Spring | M130010 |
| 18 | Caster Wheel | M130101Y |
| 19 | UHMW Bearing Sheet | M130019Y |
| 20 | Brake Spring | M130020Y |
| 21 | Center Handle Bearing | M130021Y |
| 22 | Linkage Bearing | M130022Y |
| 23 | Outer Handle Bearing | M130026Y |
| 24 | Flange Bearing | M130027Y |

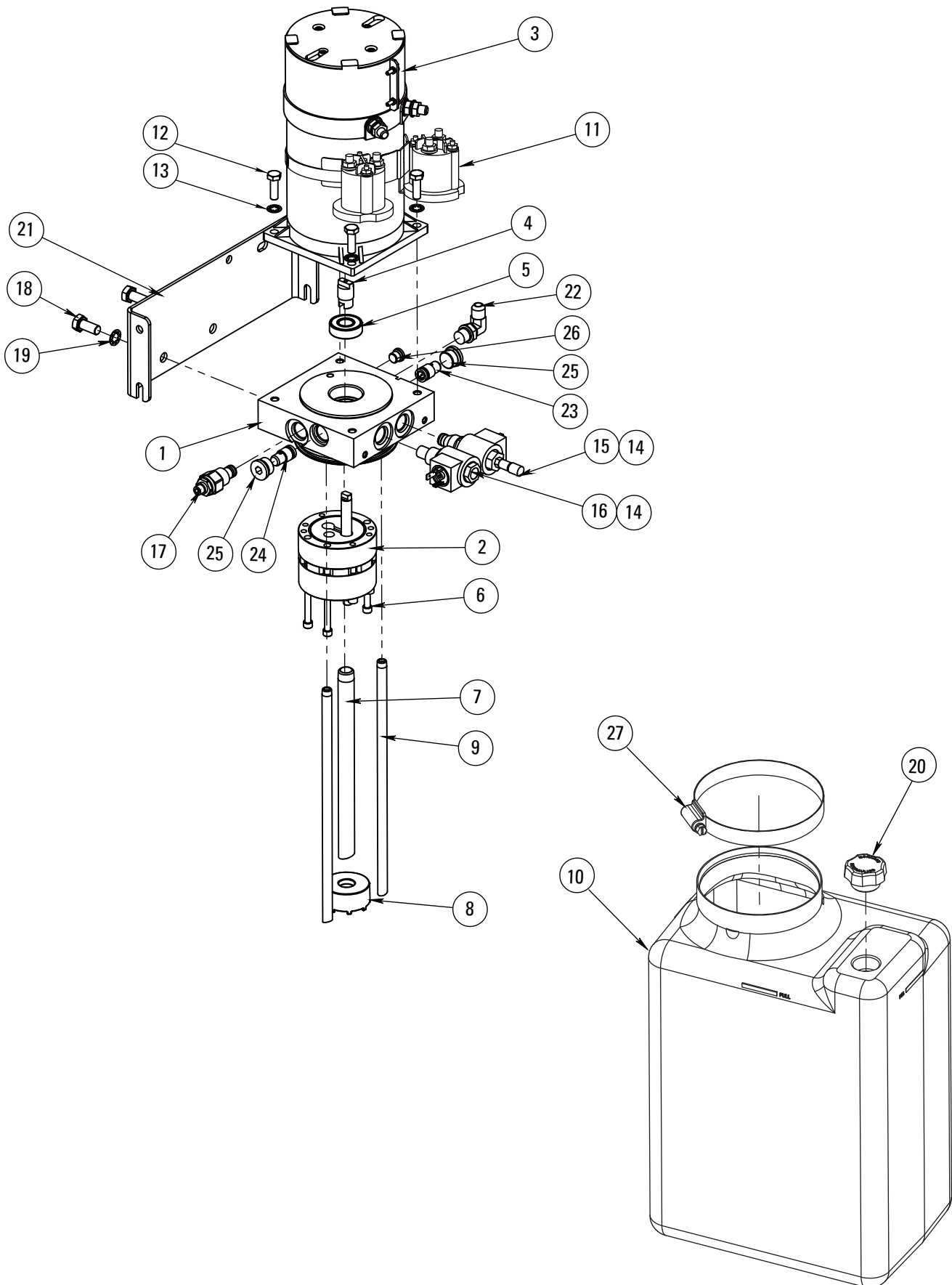


| Item | Description | Part No. |
|------|---|-----------|
| 1 | 5/16" SAE Flat Washer, PLTD | 40856 |
| 2 | 1/2" SAE Flat Washer | 40920 |
| 3 | 1/8" x 1" Lg. Cotter Pin | 41200 |
| 4 | M10 x 1.5 x 35mm Nylon Locking SOC. HD. CS., PLTD | 41512 |
| 5 | Base Weldment | M120138Y |
| 6 | Wheel Bracket Weld | M120144Y |
| 7 | Pivot Shaft | M120148Y |
| 8 | Leg Wheel | M120149Y |
| 9 | Floor Roller Shaft | M120150Y |
| 10 | Leg Wheel Spring | M120151Y |
| 11 | Flanged Bearing | M130030Y |
| 12 | Tie Bar | M120045Y |
| 13 | M12 Lock Washer | 41595 |
| 14 | M12 x 1.75 x 30mm Lg. HHCS Grade 8.8, PLTD | 41684 |
| 15 | Swivel Nut Elbow #6 | M130028 |
| 16 | 9/16" Internal Tooth Lock Washer, PLTD | 40998 |
| 17 | Bulkhead Union Elbow #6 | T140138 |
| 18 | Cylinder Hydraulic Tube | M130009 |
| 19 | Adapter | FJ7352-3 |
| 20 | Velocity Fuse | M130016 |
| 21 | Hydraulic Cylinder | M130001Y |
| | Cylinder Seal Kit | M130130 |
| 22 | Roller | M130002Y |
| 23 | Carriage Slider | M130006Y |
| 24 | Slider | FC5905-4Y |
| 25 | WEMU Fixed Fork Carriage Assembly | M110049Y |





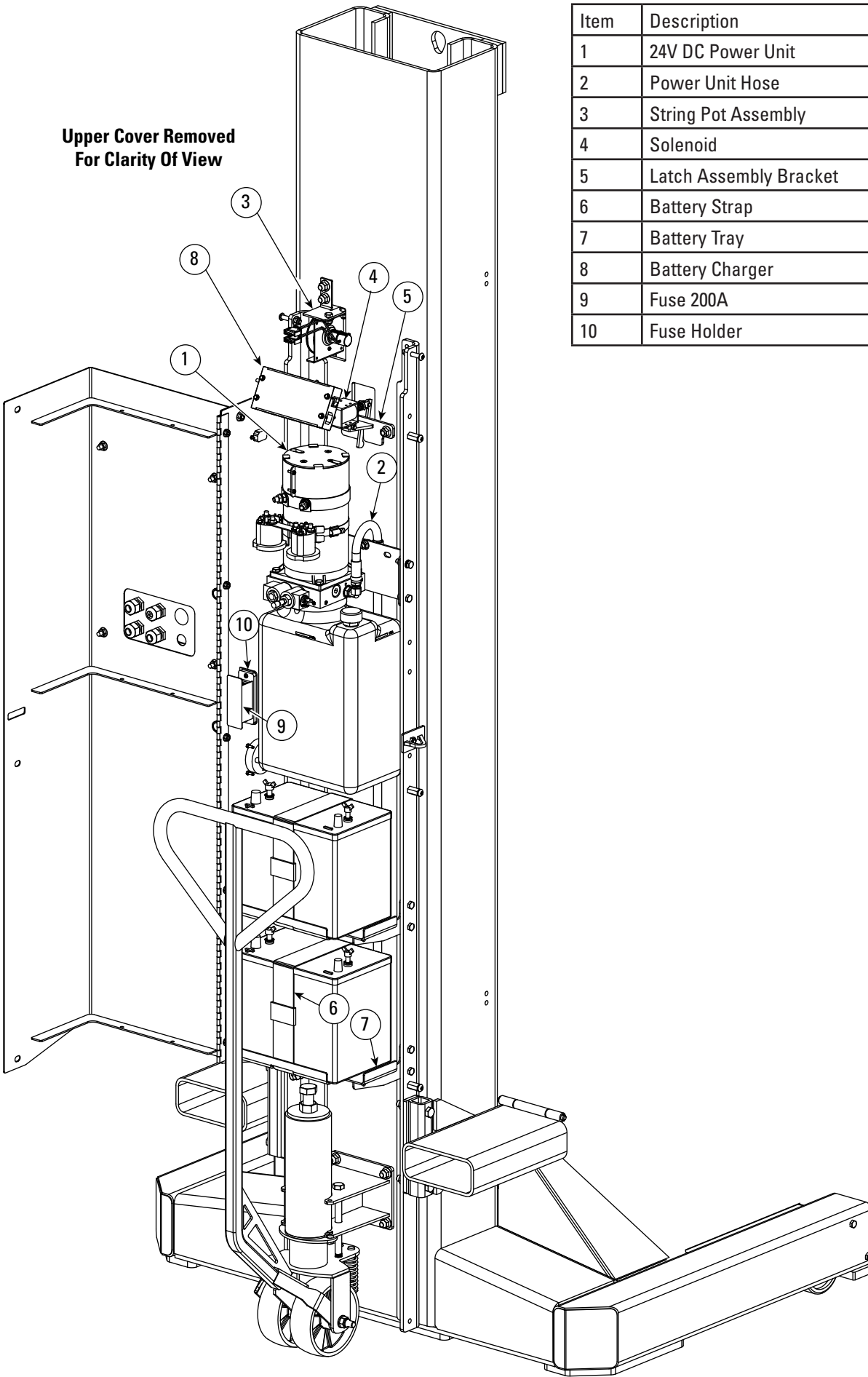
P3576FY Power Unit



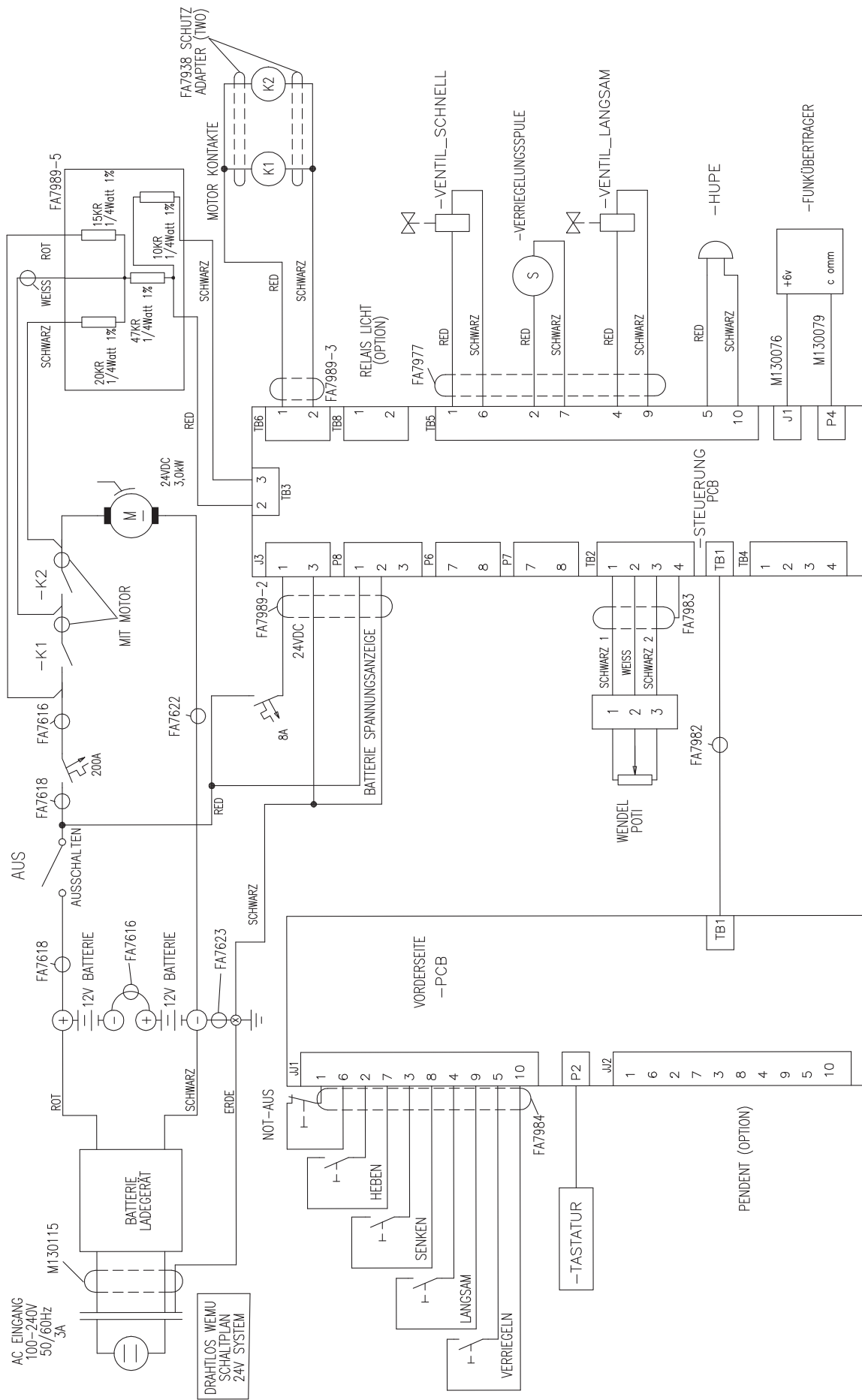
P3576FY Power Unit

| Item | Description | Part No. |
|------|-------------------------------------|-----------|
| 1 | Base Assy. M3519,MOD. (2) 2W/2P | P3576DY-1 |
| 2 | P Assy. QM MDLR, DC, BRGS BLD RSV | P-3570-2 |
| 3 | MOTOR, DC, 24 VOLT 2 TERM | P3576DY-2 |
| 4 | SHAFT, INTERMEDIATE, MOD, SPCL DC | P-3570-4 |
| 5 | BEARING, MOTOR TO BASE, M-SERIES | P-3570-5 |
| 6 | SCREW, SHC, 1/4-20 x 3.0, BLK OX. | P-3570-6 |
| 7 | TUBE, SUCTION, POLY TANK | P3580-14 |
| 8 | FILTER ASSY. SUCTION, SHROUD | P3576DY-3 |
| 9 | TUBE, RETURN | P3580-10 |
| 10 | POLY RESERVOIR | P3580-19 |
| 11 | 24V RELAY | M130090 |
| 12 | SCREW, H.H. CAP, M8-1.25 x 25 | P-3570-12 |
| 13 | WASHER, STAR LOCK, 5/16 | P-3570-13 |
| 14 | COIL, 24VDC, #8, HIRSCHMAN, LOW WT | P-3570-14 |
| 15 | CARTRIDGE, 2W/2P, NC, POPPET, #8 | P3580-7 |
| 16 | CARTRIDGE, 2W/2P, NC, POPPET, 4000 | P3580-8 |
| 17 | VALVE, RELIEF, PILOT OP, 95-210 BAR | P3576DY-4 |
| 18 | SCREW, H.H. CAP, M10-1.50 x 22 | P-3570-18 |
| 19 | WASHER, INTERNAL TOOTH LOCK, 3/8 | P-3570-19 |
| 20 | BREATHER-FILLER PLUG, POLY TANK | P3580-21 |
| 21 | BRACKET, MTG PLT, 3.22 CNTR | P-3570-21 |
| 22 | FITTING, ELBOW, 90 DEG, 37 DEG | P-3570-22 |
| 23 | POPPET ASSY, P CMP FL, GPM .75 | P-3570-23 |
| 24 | POPPET ASSY, P CMP FL, GPM 1.5 | P-3570-24 |
| 25 | PLUG, SAE O-RING, 3/4-16, HEX SOC | P-3570-25 |
| 26 | PLUG, SAE O-RING, 7/16-20 HEX, SO | P-3570-26 |
| 27 | WORM CLAMP, POLY TANK | P3580-20 |

Upper Cover Removed
For Clarity Of View



| Item | Description | Part No. |
|------|------------------------|-----------|
| 1 | 24V DC Power Unit | P3576 |
| 2 | Power Unit Hose | M130029 |
| 3 | String Pot Assembly | M110009 |
| 4 | Solenoid | M130017 |
| 5 | Latch Assembly Bracket | M120067Y |
| 6 | Battery Strap | M130032 |
| 7 | Battery Tray | M120167Y |
| 8 | Battery Charger | FA7958-48 |
| 9 | Fuse 200A | FA7958-6 |
| 10 | Fuse Holder | FA7958-5 |



NOTES:

Installer: Please return this booklet to literature package, and give to lift owner/operator.

Thank You

Trained Operators and Regular Maintenance Ensures Satisfactory Performance of Your Rotary Lift.

Contact Your Nearest Authorized Rotary Parts Distributor for Genuine Rotary Replacement Parts. See Literature Package for Parts Breakdown.

Rotary World Headquarters
2700 Lanier Drive
Madison, IN 47250, USA
www.rotarylif.com



Rotary Lift Consolidated (Haimen) Co., Ltd
No.1388, East Xiushan Road, Haimen,
Jiangsu Province, China, 226100
www.vsg-asia.com
P: 86-513-81261262

© Vehicle Service GroupSM
Printed in China, All Rights Reserved.
Unless otherwise indicated, ROTARY,
and all other trademarks are property
of Dover Corporation and its affiliates.

